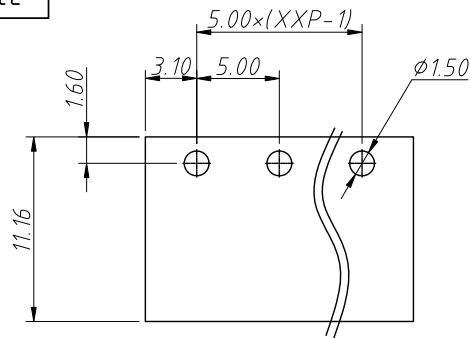
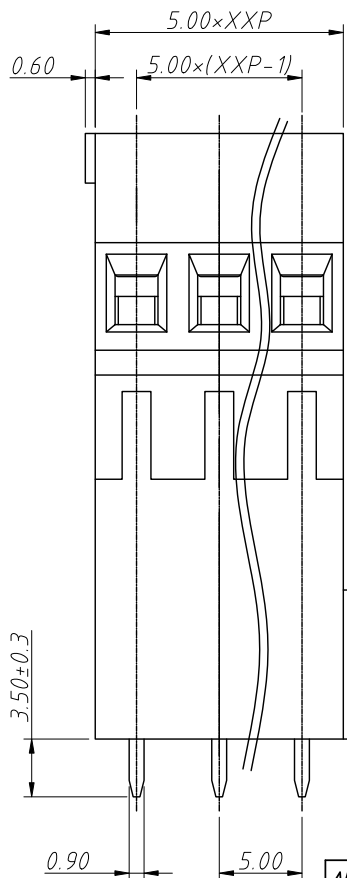
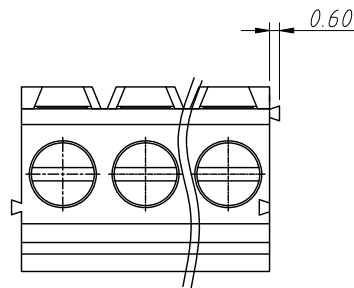
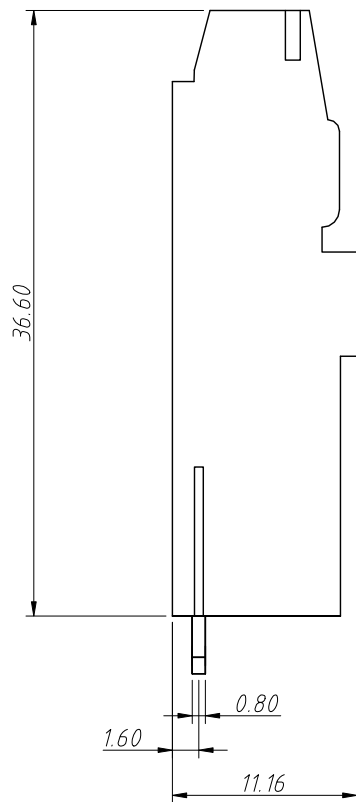


1 RoHS Compliance



Recommended PCB Layout



REV	SYM	Revision Record	Appr.	Date
V0	KLS02006	New Version Release	Song	2024-11-12

Electrical Characteristics	UL	IEC
Rated Voltage	300V	250V
Rated Current	15A	24A
Withstand Voltage	1600V/1 min	4.0 KV
Wire Range	30 ~ 14 AWG	0.5 ~ 2.5 mm ²

Material and other:

Housing: PA66, UL 94V-0

Pin Header: Copper Alloy, Sn Plated

Screw/Torque: M2.5/0.4N.m

Stripping Length: 6 ~ 7mm

Operating Temperature: -40°C ~ +105°C

Soldering Temperature: 260°C / 5S

Order Information

L-KLS2-128HH-5.00-XXP-X X

RoHS

Terminal Block

Pitch: 5.00mm

No.: Of (02 ~ 24) Pin

Color:

1=Gray

2=Blue

3=Black

4=Green

5=Orange

6=Red

7=Transp

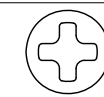
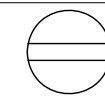
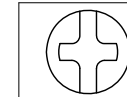
8=Yellow

9=White

Screw: SC=Slot/Cross

S-Slot Screw

C-Cross Screw



SC=Slot/Cross

S-Slot Screw

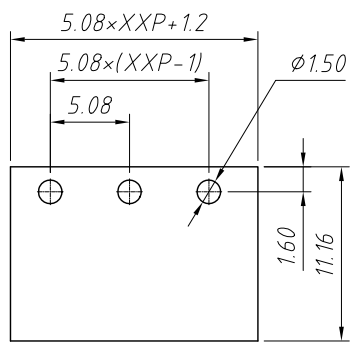
C-Cross Screw

ANGLE TOLERANCE	PROJECTION	Description:	Pitch 5.00mm Terminal Block	
±3°				
GENERAL TOLERANCE	UNITS	mm	KLS P/N:	L-KLS2-128HH-5.00-XXP-XX
0 ~ 30	±0.50	SHEET SIZE	A4	
30 ~ 60	±0.75	Draw:	Song	2024-11-12
60 ~ 90	±1.00	Check:	Daniel	2024-11-12

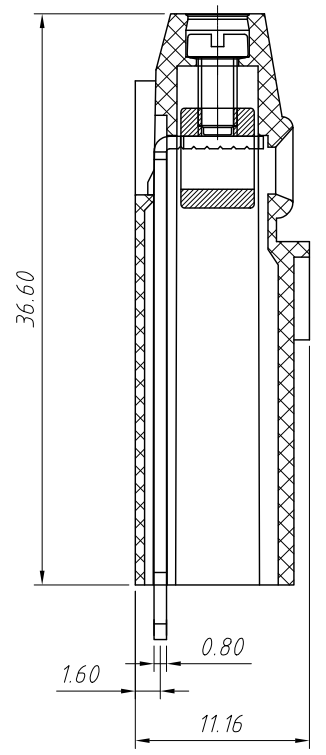
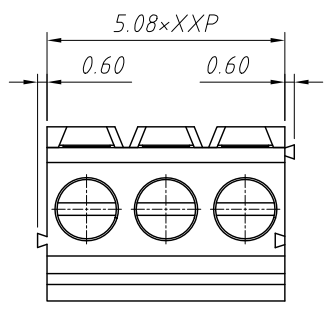


NingBo KLS ELECTRONIC CO.,L TD.

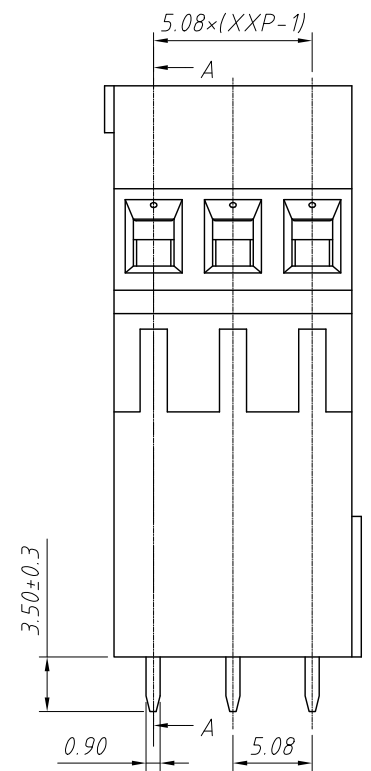
1
RoHS Compliance



Recommended PCB Layout



SECTION A-A



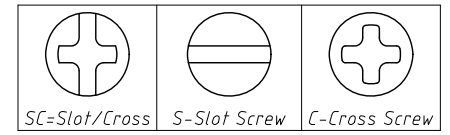
6		7		8	
REV	SYM	Revision Record		Appr.	Date
V0	KLS02006	New Version Release		WuHao	2024-11-12

Electrical Characteristics	UL	IEC
Rated Voltage	300V	250V
Rated Current	15A	17.5A
Withstand Voltage	AC2000V/1min	---
Wire Range	30~14 AWG	1.5mm ²

Material
 Housing:PA66,UL 94 V-0 Pin Header:Brass,0.8T,Tin plated
 Cage:Brass,Ni Plated Steip Length:6~7 mm
 Screw/Torque:Steel,M2.5,Zn Plated/0.4N.m Max
 Temp.Range:-40°C ~ + 105°C Soldering:+250°C,For 5 Sec
 Contact resistance:20mΩ MAX
 Insulation resistance:500MΩ/DC500V

Order Information
 L-KLS2-128HH-5.08-XXP-X X

RoHS
 Terminal Block
 Pitch:5.08mm
 No. of (02~24)Pole
 Color:
 1=Gray 2=Blue 3=Black
 4=Green 5=Orange 6=Red
 7=Transp 8=Yellow 9=White
 Screw:SC=Slot/Cross
 S-Slot Screw C-Cross Screw



ANGLE TOLERANCE	PROJECTION	Description:			
±3°		Pitch 5.08mm Terminal Blocks			
GENERAL TOLERANCE	UNITS	mm	KLS P/N:		
x.x ±0.30	SHEET SIZE	A4	L-KLS2-128HH-5.08-XXP-XX		
x.xx ±0.20	Draw:	WuHao	2024-11-12		
x.xxx ±0.10	Check:	Daniel	2024-11-12	NingBo KLS ELECTRONIC CO.,L TD.	