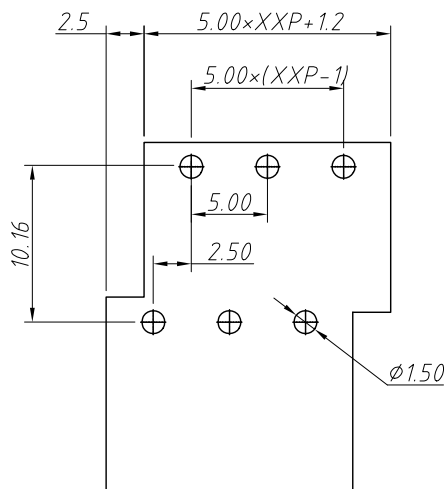
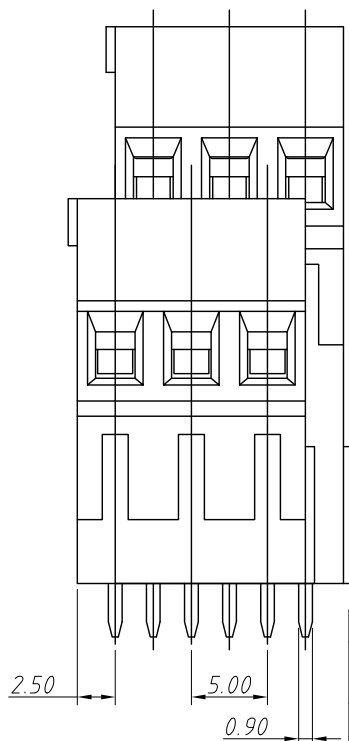
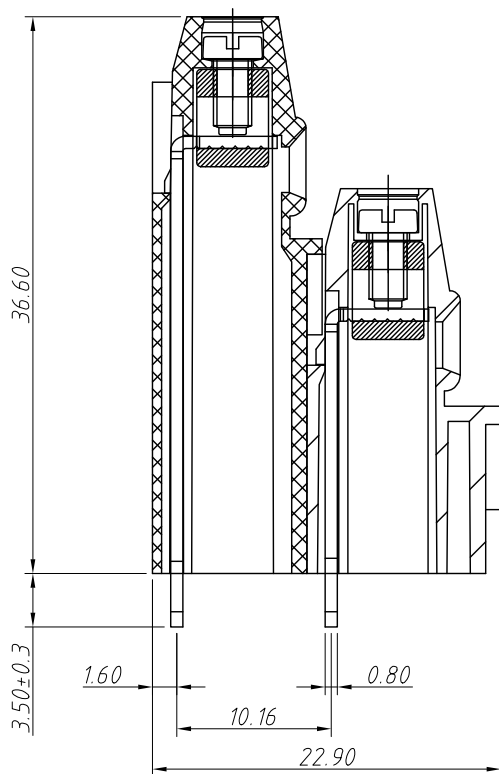
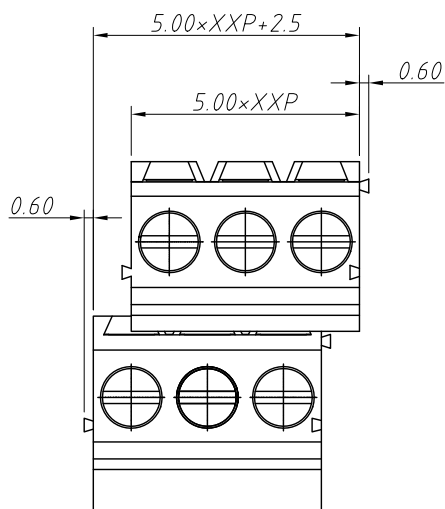


1 RoHS Compliance



Recommended PCB Layout

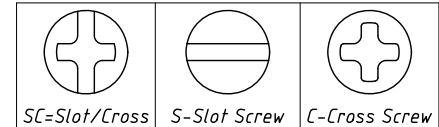
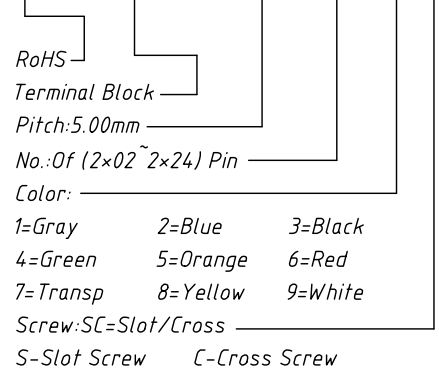


6	7	8
REV	SYM	Revision Record
V0	KLS02006	New Version Release
		Appr. Song
		Date 2024-11-12

Electrical	UL	IEC
Rated Voltage	300V	250V
Rated Current	15A	17.5A
Withstand Voltage	AC2000V/1 min	---
Wire Range	30~14 AWG	1.5 mm ²

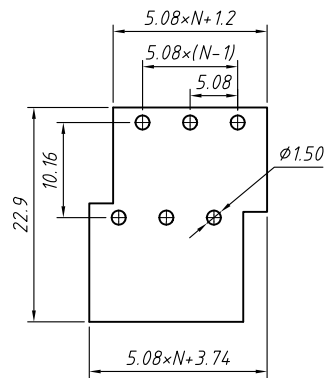
Material and other:
 Housing:PA66, UL94V-0
 Pin Header:Brass,Tin Plated
 Cage:Brass,Ni Plated
 Screw/Torque:Steel,Zn Plated,M2.5/0.4N.m
 Contact Resistance:20mΩ Max
 Insulation Resistance:500MΩ/DC500V Min
 Stripping Length:6-7mm
 Temp. Range:-40°C ~ +105°C
 MAX Soldering:250°C For 5S

Order Information
 L-KLS2-128B2-5.00-XXP-X X

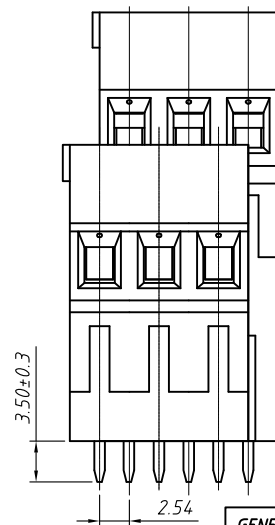
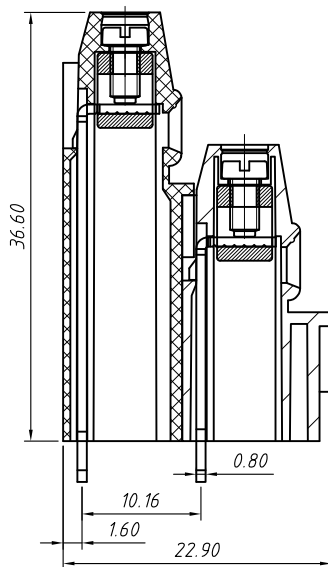
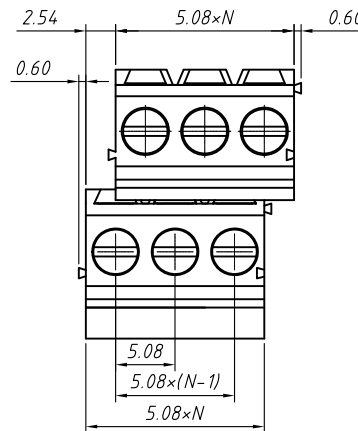


ANGLE TOLERANCE	PROJECTION	Description:	Pitch 5.00mm Terminal Block		
±3°			L-KLS2-128B2-5.00-XXP-XX		
GENERAL TOLERANCE	UNITS	mm	KLS P/N:		
0~30 ±0.50	SHEET SIZE	A4			
30~60 ±0.75	Draw:	Song	2024-11-12		
60~90 ±1.00	Check:	Daniel	2024-11-12		





PCB LAYOUT



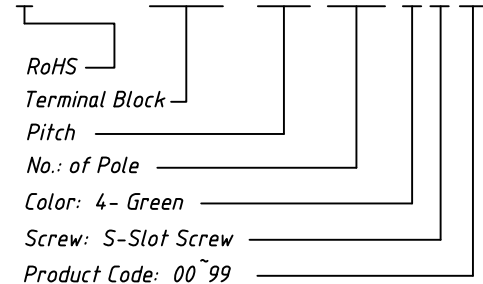
Material
Housing: PA66, UL94V-0
Pin header: Brass, Tin plated
Clamp: Brass, Ni plated
Screw: M2.5, steel Zinc plated

Electrical
Rated voltage: 300V
Rated current: 15A
Contact Resistance: 20 mΩ
Insulation resistance: 500MΩ/DC500V
Withstand voltage: AC2000V / 1 min
Wire Range: 30~14AWG 2.5mm²

Mechanical
Temp. Range: -40 °C ~ +105 °C
Strip length: 6~7mm
Torque: 0.4Nm (3.5Lb.in)

Order Information

L-KLS2-128B2-5.08-XXP-4 S 00



GENERAL TOLERANCE		ANGLE TOLERANCE		Description:	
X.	±0.60	X.	±5°	Screw CONN TERM Block 5.08mm	
.X	±0.38	.X	±3°	KLS P/N:	KLS2-128B2-5.08-XXP-4S
.XX	±0.25	.XX	±2°		
Draw by	2015-09-01	PROJECTION		NingBo KLS ELECTRONIC CO.,L TD.	
Check by	2015-09-15	UNITS	mm		
SCALE		SHEET SIZE	A4		