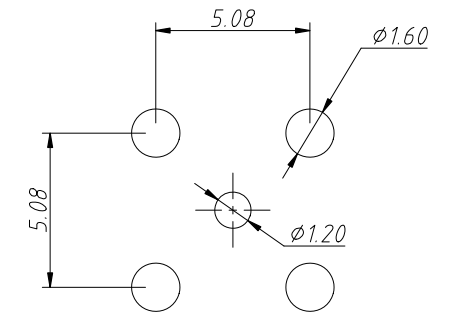
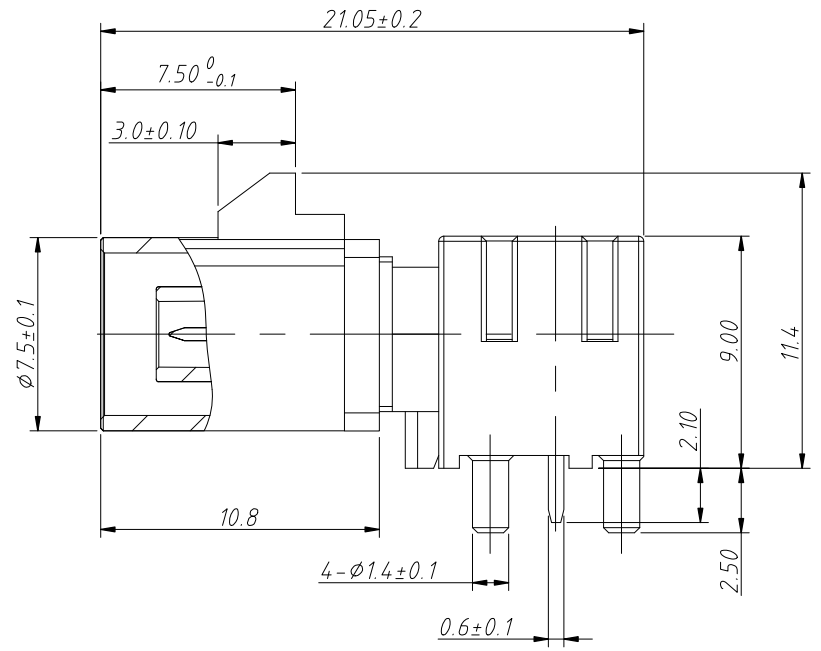
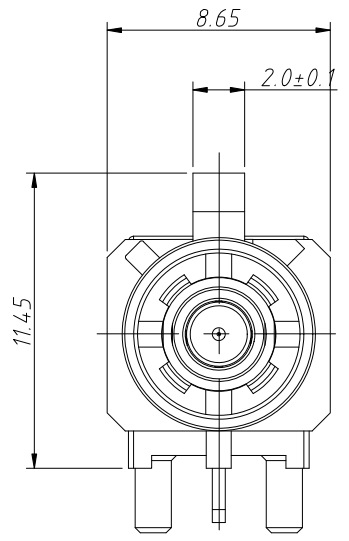
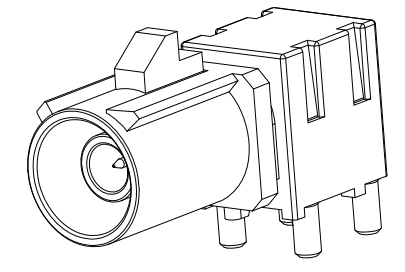
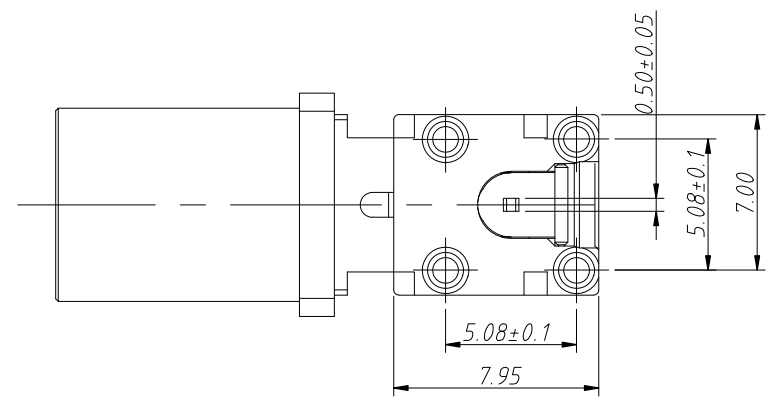
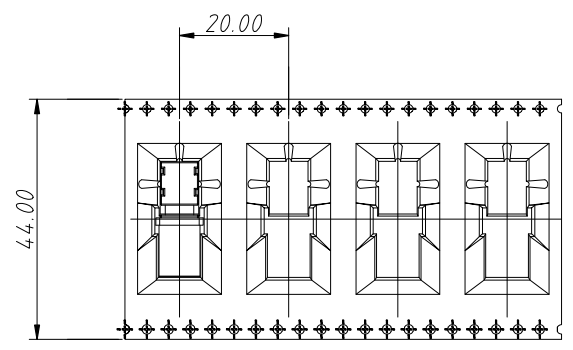


1
RoHS Compliance



Recommended PCB Layout
Tolerance: ±0.05mm



Pulling Out Direction →

ANGLE TOLERANCE	PROJECTION	Description:		
±3°		Right Angle Plug Fakra Connector		
GENERAL TOLERANCE	UNITS	mm	KLS P/N:	L-KLS1-FAKRA02-X-XXXX-1
x.x ±0.30	SHEET SIZE	A4	1 Of 2	NingBo KLS ELECTRONIC CO.,L TD.
x.xx ±0.20	Draw:	Daniel	2023-07-12	
x.xxx ±0.10	Check:	Daniel	2023-07-12	

1
RoHS Compliance

Card slot direction	Code	Color	RAL	Order Information
	A	Black	sim.9005	FAKRA02-A-9005-1
	B	White	sim.9001	FAKRA02-A-9001-1
	C	Blue	sim.5005	FAKRA02-A-5005-1
	D	Claret Violet	sim.4004	FAKRA02-A-4004-1
	E	Green	sim.6002	FAKRA02-A-6002-1
	F	Brown	sim.8011	FAKRA02-A-8011-1
	G	Grey	sim.7031	FAKRA02-A-7031-1
	H	Heathea Violet	sim.4003	FAKRA02-A-4003-1
	I	Beige	sim.1001	FAKRA02-A-1001-1
	K	Curry	sim.1027	FAKRA02-A-1027-1
	L	Carmine Red	sim.3002	FAKRA02-A-3002-1
	M	Pastel orange	sim.2003	FAKRA02-A-2003-1
	N	Pastel Green	sim.6019	FAKRA02-A-6019-1
	Z	Water Blue	sim.5021	FAKRA02-A-5021-1

Material:
 Insulator:PA
 Contacts:Copper Alloy,
 Gold Plating On Contact Area
 Tin Plating On Solder Tails
 Shell:Zinc Alloy, Tin Plating

Electrical:
 Impedance:50Ω Max
 Frequency Range:DC to 6GHZ
 SWR:0-6GHZ 1.58Max
 Rated Voltage:50V (AC/DC)
 Voltage Rating:1A/Pin
 Insulator Resistance:1000MΩ Min
 Operation Temp. Range:-40°C to +105°C
 Mating Cycles:25 insertions

Order Information
 L-KLS1-FAKRA02-A-9005-1

RoHS
 Card Slot Direction:
 A=up B=down C=Left D=Right
 RAL:
 9005 Or 9001,5005,4004,6002,8011,7031,
 4003,1001,1027,3002,2003,6019,5021
 Size-1,2,3,4...

ANGLE TOLERANCE	PROJECTION	Description:	Right Angle Plug Fakra Connector	
±3°				
GENERAL TOLERANCE	UNITS	mm	KLS P/N:	L-KLS1-FAKRA02-X-XXXX-1
x.x ±0.30	SHEET SIZE	A4	2 Of 2	
x.xx ±0.20	Draw:	Daniel	2023-07-12	
x.xxx ±0.02	Check:	Daniel	2023-07-12	

NingBo KLS ELECTRONIC CO.,L TD.