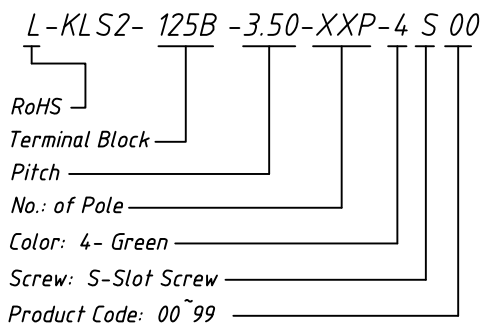


Material
Housing: PA66, UL94V-0
Clamp: Brass, Ni plated
Pin Header: Brass, Tin plated
Screw: M2 steel Zinc plated

Electrical
Rated voltage: 300V
Rated current: 15A
Contact Resistance: 20 mΩ
Insulation resistance: 500MΩ/DC500V
Withstand voltage: AC2000V / 1 min
Wire Range: 30~14AWG 1.0mm²

Mechanical
Temp. Range: -40 °C ~ +105 °C
Strip length: 5~6mm
Torque: 0.2Nm (1.75Lb.in)

Order Information

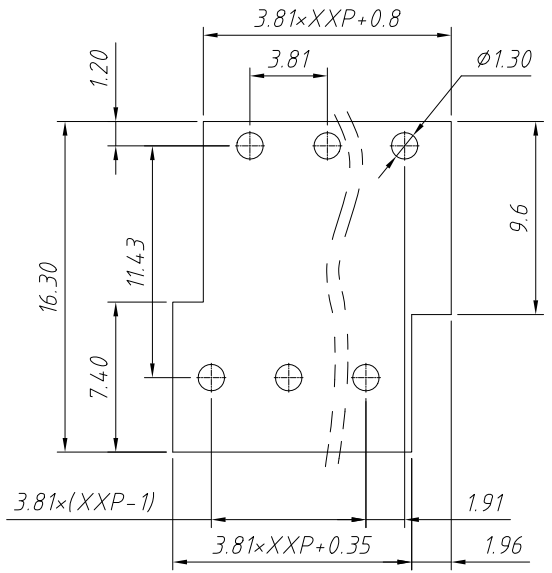


GENERAL TOLERANCE		ANGLE TOLERANCE		Description:	
X. ±0.60		X. ±5°		Screw CONN TERM Block 3.50mm	
.X ±0.38		.X ±3°		KLS P/N:	KLS2-125B-3.50-XXP-4S
.XX ±0.25		.XX ±2°			
Draw by	2015-09-01	PROJECTION		NingBo KLS ELECTRONIC CO.,L TD.	
Check by	2015-09-15	UNITS	mm		
SCALE		SHEET SIZE	A4		

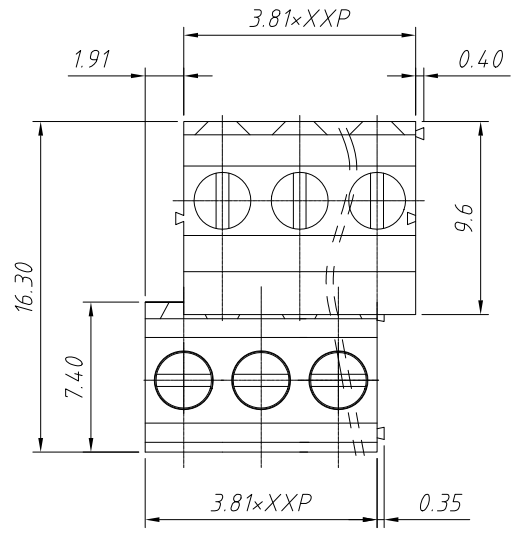
1
RoHS Compliance

6		7		8	
REV	SYM	Revision Record		Appr.	Date
V0	KLS02006	New Version Release		WuHao	2024-11-12

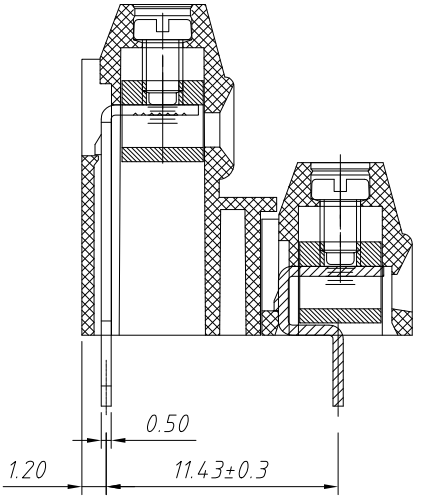
A
B



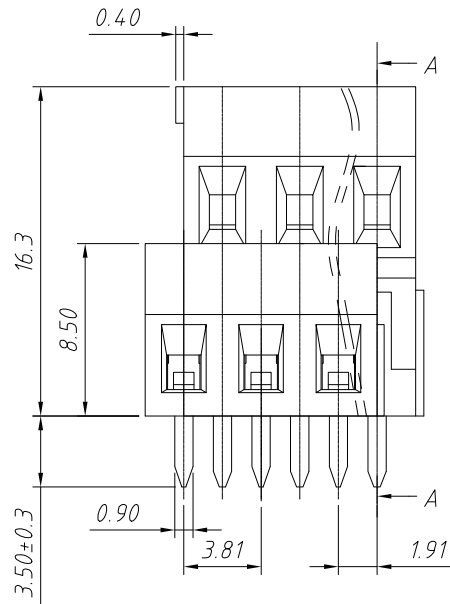
Recommended PCB Layout



C
D



SECTION A-A



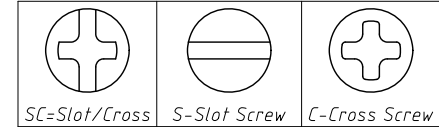
Material

Housing: PA66, UL 94V-0 Pin Header: Brass, Tin plated
 Cage: Brass, Ni Plated Strip Length: 4 ~ 5 mm
 Screw/Torque: Steel, M2.0, Zn Plated/0.2N.m Max
 Temp. Range: -40°C ~ +105°C Soldering: +250°C, For 5 Sec
 Contact resistance: 20mΩ MAX
 Insulation resistance: 500MΩ/DC500V

Order Information

L-KLS2-125B-3.81-XXP-X X

RoHS
 Terminal Block
 Pitch: 3.81mm
 No. of (2x02 ~ 2x24) Pole
 Color:
 1=Gray 2=Blue 3=Black
 4=Green 5=Orange 6=Red
 7=Transp 8=Yellow 9=White
 Screw: SC=Slot/Cross
 S-Slot Screw C-Cross Screw



E
F

ANGLE TOLERANCE		PROJECTION		Description:	
±3°				Pitch 3.81mm Terminal Blocks	
GENERAL TOLERANCE		UNITS	mm	KLS P/N:	
x.x	±0.30	SHEET SIZE	A4	L-KLS2-125B-3.81-XXP-XX	
x.xx	±0.20	Draw:	WuHao	2024-11-12	
x.xxx	±0.10	Check:	Daniel	2024-11-12	

KLS NingBo KLS ELECTRONIC CO.,L TD.

G
H