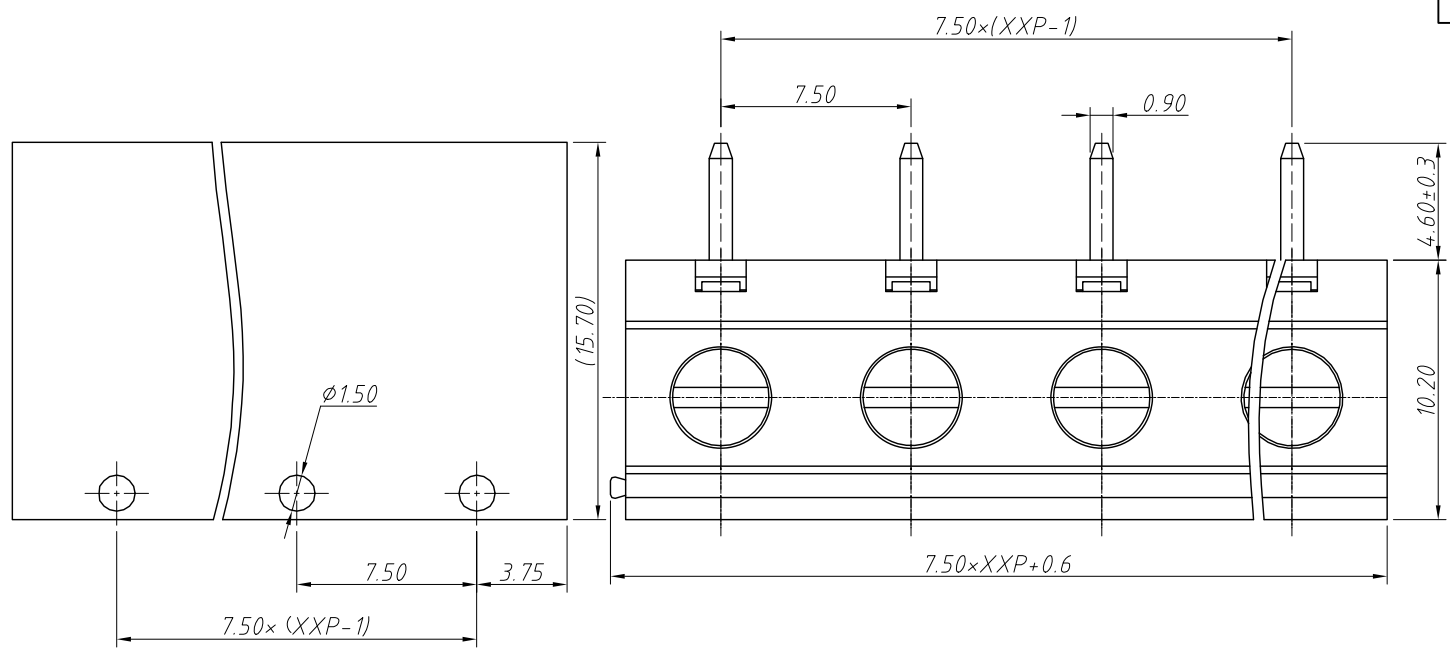


1 RoHS Compliance

REV	SYM	Revision Record	Appr.	Date
V0	KLS02006	New Version Release	WuHao	2024-09-18

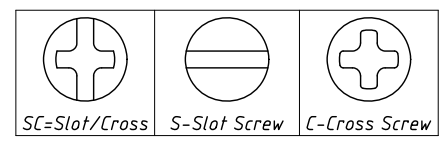


Electrical Characteristics	UL	IEC
Rated Voltage	300V	450V
Rated Current	16A	20A
Withstand Voltage	1600V/1 min	6.0KV
Wire Range	12~22 AWG	0.5-2.5mm ²

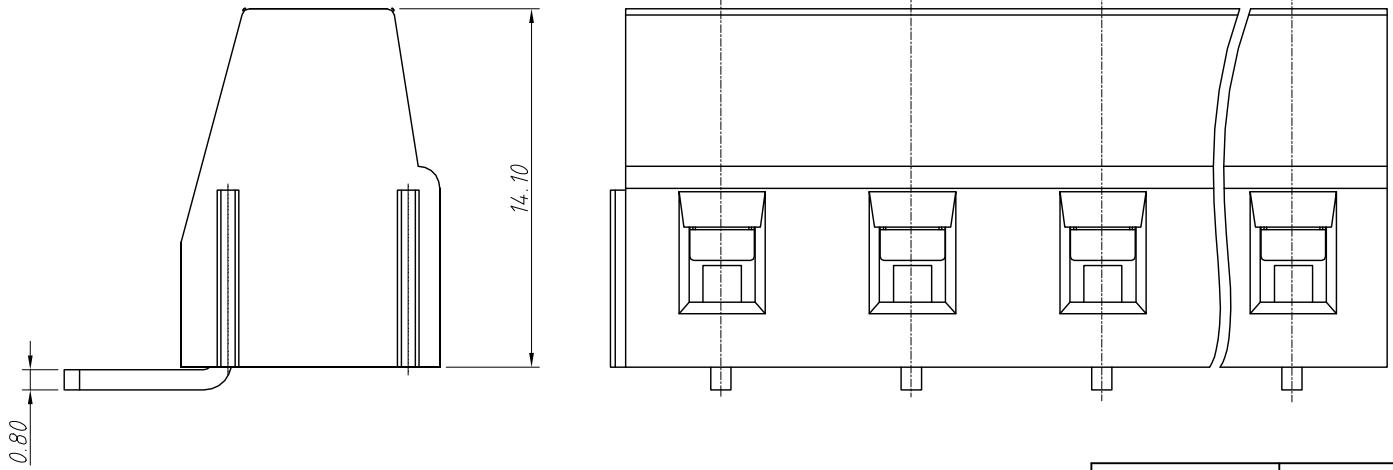
Material and other:
 Housing:PA66, UL 94V-0
 Pin Header:Copper Alloy,Sn Plated
 Cage:Copper Alloy,Ni Plated
 Screw/Torque:M2.5 Zn Plated/0.4N.m Max.
 Steip Length:6-7mm
 Soldering Temperature:260°C/ 5 S
 Operating Temperatur:-40°C ~ +105°C
Order Information

L-KLS2-128R-7.50-XXP-X X

RoHS
 Terminal Block
 Pitch:7.50mm
 No.:Of (02~24) Pin
 Color:
 1=Gray 2=Blue 3=Black
 4=Green 5=Orange 6=Red
 7=Transp 8=Yellow 9=White
 Screw:SC=Slot/Cross
 S-Slot Screw C-Cross Screw



Recommended PCB Layout



ANGLE TOLERANCE	PROJECTION	Description:
±3°		Pitch 7.50mm Screw fixation Terminal Block
GENERAL TOLERANCE	UNITS	mm
0~30 ±0.50	SHEET SIZE	A4
30~60 ±0.75	Draw:	WuHao 2024-09-18
60~90 ±1.00	Check:	Daniel 2024-09-18
		L-KLS2-128R-7.50-XXP-XX

