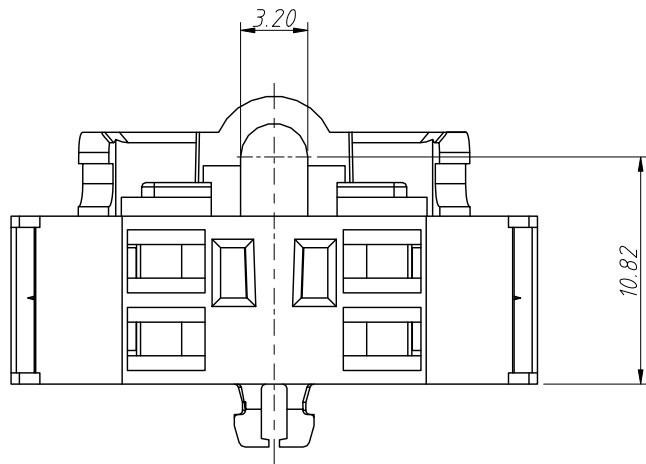


1 RoHS Compliance

6	7	8
REV	SYM	Revision Record
V0	KLS02003	New Version Release
		Appr. Song
		Date 2024-08-26



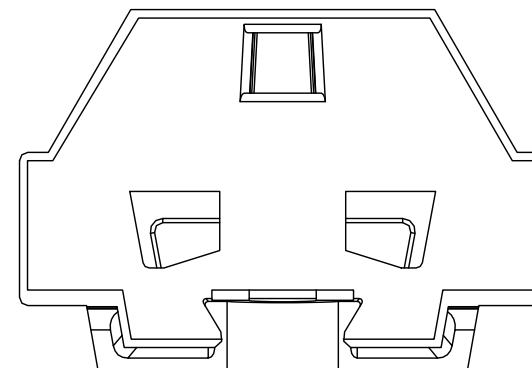
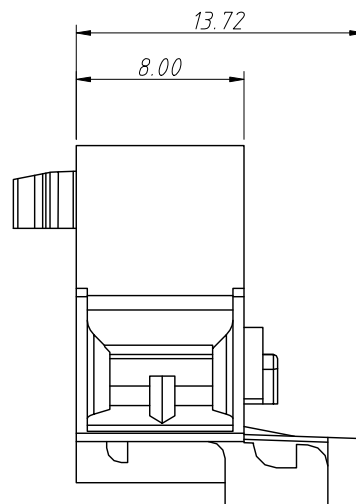
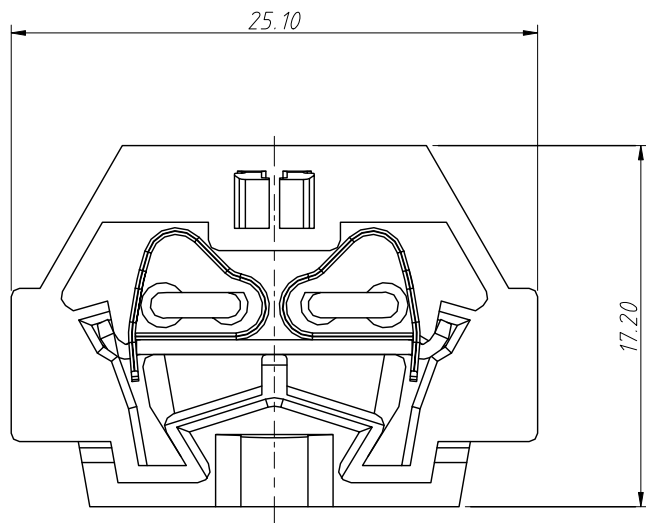
Order Information

L-KLS2-DF104 15 X

RoHS
Terminal Block
Wire Range:
15=0.2~1.5mm²
Color:1=Gray 2=Blue
4=Green 5=Orange 8=Yellow

Electrical Characteristics	UL	IEC
Rated Voltage	300V	400V
Rated Current	10A	18A
Wire Range	28~16AWG	0.2~1.5mm ²

Material and other:
Housing:PA66, UL 94 V-0, Gray
Pin header:Copper Alloy, Sn Plated
Spring:Stainless Steel
Stripping Length:8-9mm
Size:25.10×8.00×17.20
Temp. Range:-40°C ~ +105°C



Connection method:

- 1.For Solid wire, peeling wire in right length,push down spring to clapthe wire.
2. For stranded wire, connect directly afterpeeling in right length,or wire furredand fix in by pushingthe spring.

ANGLE TOLERANCE	PROJECTION	Description:	
±3°		Miniature Rail-mounted terminal blocks	
GENERAL TOLERANCE	UNITS	mm	KLS P/N:
.x ±0.30	SHEET SIZE	A4	L-KLS2-DF10415X
.xx ±0.20	Draw:	Song	2024-08-26
.xxx ±0.10	Check:	Daniel	2024-08-26



NingBo KLS ELECTRONIC CO.,L TD.