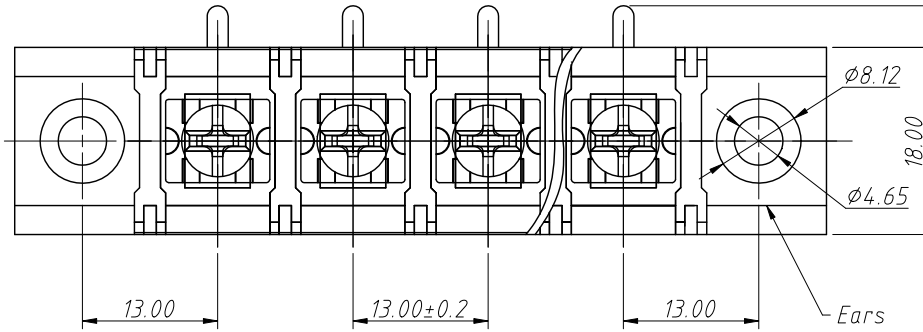
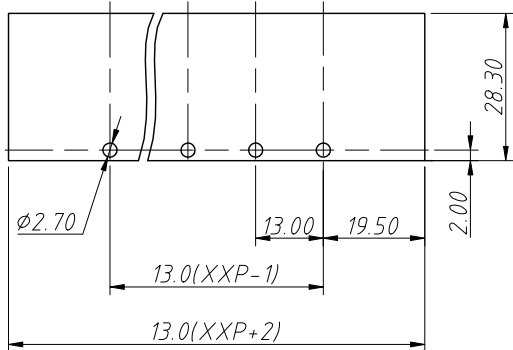


1 RoHS Compliance

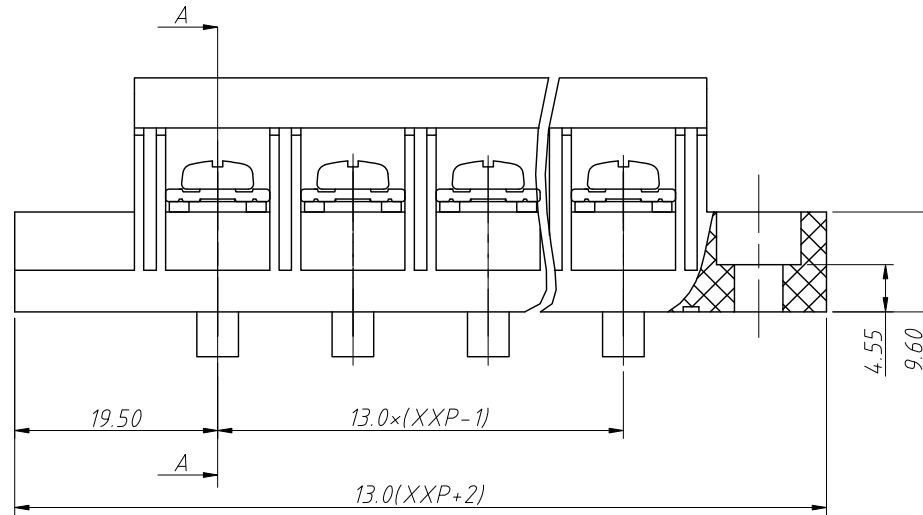
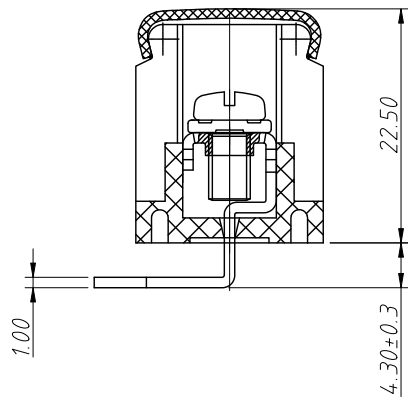
| | | | | |
|-----|----------|---------------------|-------|------------|
| REV | SYM | Revision Record | Appr. | Date |
| V0 | KLS02006 | New Version Release | Song | 2024-08-20 |

| | | |
|----------------------------|-------------|--------------------|
| Electrical Characteristics | UL | IEC |
| Rated Voltage | 600V | 750V |
| Rated Current | 30A | 32A |
| Withstand Voltage | 2000V/1 min | --- |
| Wire Range | 18~10 AWG | 4.0mm ² |



4.00±0.3
18.00

Material and other:
 Housing: PA66, UL 94V-0
 Screw: Steel, M4/Ni Plated
 Pin: Copper Alloy, Tin Plated
 Cover: PC, UL 94V-2
 Torque: 1.2N.m
 Operating Temperature: -40°C ~ +105°C
 Max Soldering: 250°C, For 5s



Order Information
 L-KLS2-48R-13.0-05P-X

RoHS
 Terminal Block
 R-Right angle pin
 Pitch: 13.0mm
 No.: Of (02~20) Pin
 A=With Ears B=With Ears

| | | |
|-------------------|------------|-------------------------------------|
| ANGLE TOLERANCE | PROJECTION | Description: |
| ±3° | | Pitch 13.0mm Barrier Terminal Block |
| GENERAL TOLERANCE | UNITS | mm |
| .x ±0.30 | SHEET SIZE | A4 |
| .xx ±0.20 | Draw: | Song |
| .xxx ±0.10 | Check: | Daniel |
| KLS P/N: | | L-KLS2-48R-13.0-05P-X |
| KLS ELECTRONIC | | NingBo KLS ELECTRONIC CO.,LTD. |