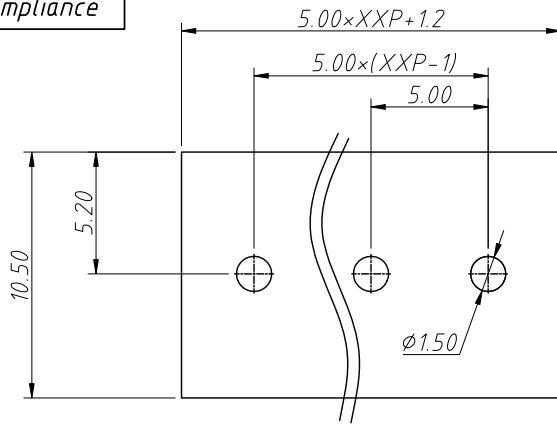
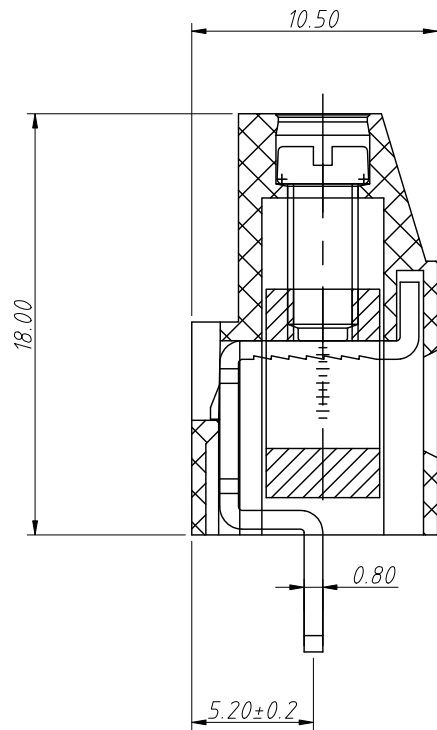


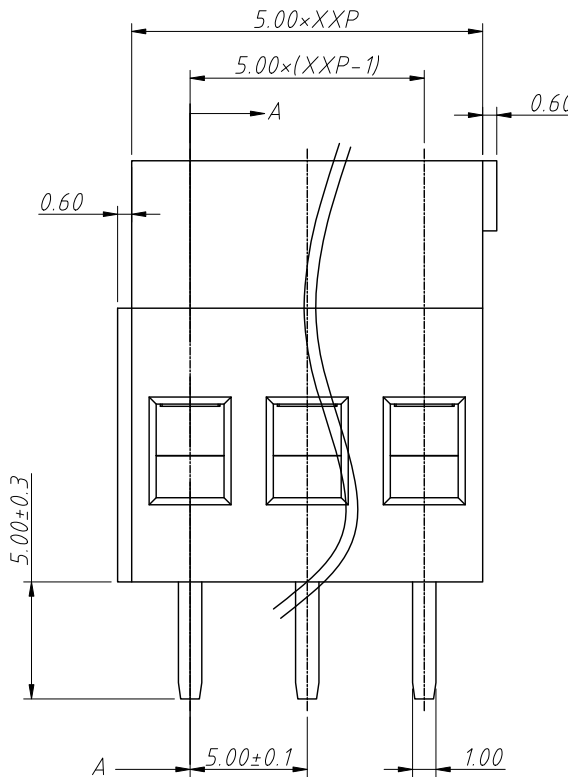
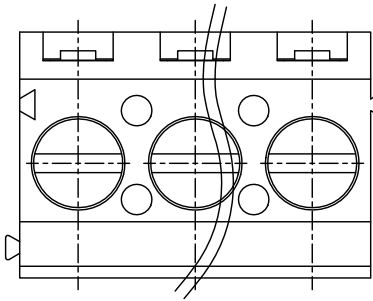
1 RoHS Compliance



Recommended PCB Layout



SECTION A-A



6	7	8
REV	SYM	Revision Record
VO	KLS02006	New Version Release
		Appr. Date
		Song 2024-11-12

Electrical Characteristics	UL	IEC
Rated Voltage	300V	250V
Rated Current	20A	25A
Withstand Voltage	AC2000V/1 min	---
Wire Range	26~12 AWG	2.5 mm ²

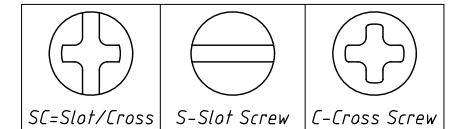
Material and other:
 Housing:PA66, UL94V-0
 Pin Header:Brass, Tin Plated
 Screw/Torque:Steel, Zn Plated, M3.0/0.5N.m
 Contact Resistance:20mΩ Max
 Insulation Resistance:500MΩ/DC500V Min
 Temp. Range:-40°C ~ +105°C
 MAX Soldering:250°C For 5S

Order Information

L-KLS2-129-5.00-XXP-X X 01

RoHS
 Terminal Block
 Pitch:5.00mm
 No.:Of (02~24) Pin
 Color:
 1=Gray 2=Blue 3=Black
 4=Green 5=Orange 6=Red
 7=Transp 8=Yellow 9=White

Screw:SC=Slot/Cross



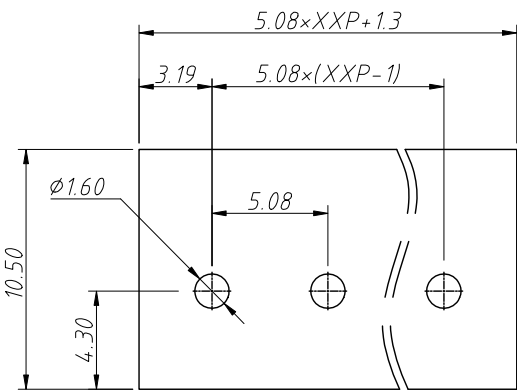
Product Code:00~99

ANGLE TOLERANCE	PROJECTION	Description:
±3°		Pitch 5.00mm Terminal Block
GENERAL TOLERANCE	UNITS	KLS P/N:
0~30 ±0.50	mm	L-KLS2-129-5.00-XXP-XXXX
30~60 ±0.75	SHEET SIZE	
60~90 ±1.00	A4	
	Draw:	Song 2024-11-12
	Check:	Daniel 2024-11-12

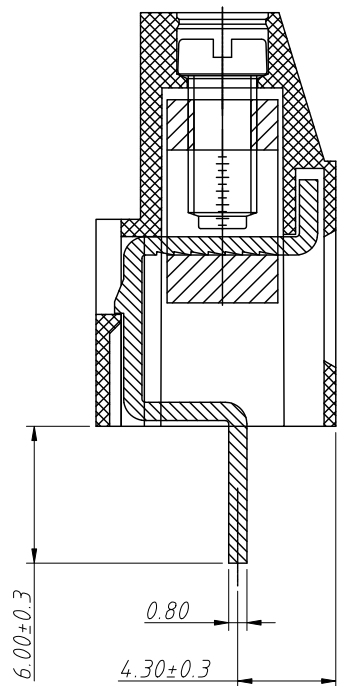
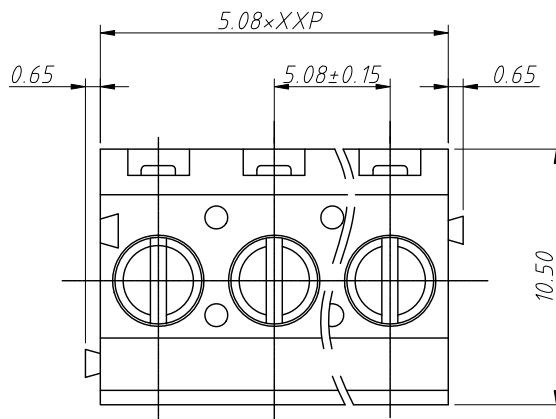


NingBo KLS ELECTRONIC CO.,LTD.

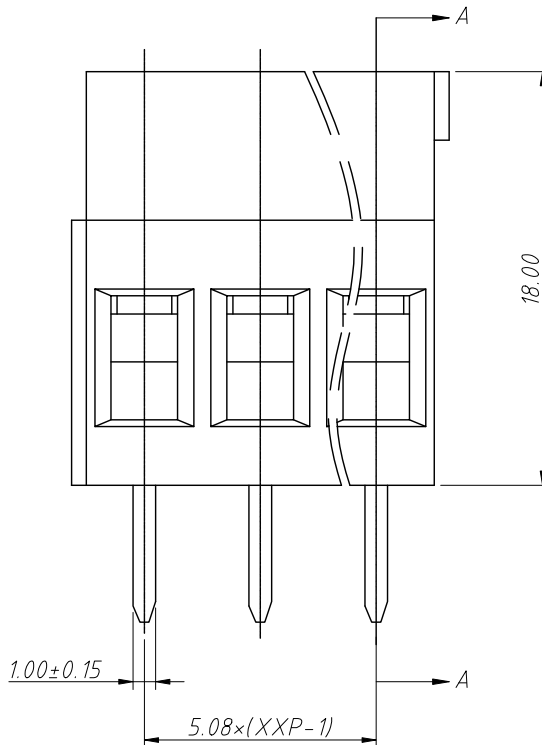
1 RoHS Compliance



Recommended PCB Layout



SECTION A-A



6	7	8
REV	SYM	Revision Record
V0	KLS02006	New Version Release
		Appr. Song
		Date 2024-11-13

Electrical Characteristics	UL	IEC
Rated Voltage	300V	250V
Rated Current	20A	25A
Withstand Voltage	AC2000V/1 min	---
Wire Range	26~12 AWG	2.5 mm ²

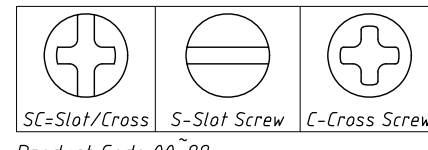
Material and other:
 Housing: PA66, UL 94V-0
 Pin Header: Copper Alloy, Sn Plated
 Cage: Copper Alloy, Ni Plated
 Screw/Torque: Steel, Zn Plated, M3.0/0.4N.m
 Stripping Length: 6~7mm
 Temp. Range: -40°C ~ +105°C
 MAX Soldering: 250°C For 5S

Order Information

L-KLS2-129-5.08-XXP-X X 01

RoHS
 Terminal Block
 Pitch: 5.08mm
 No.: Of (02~24) Pin
 Color:
 1=Gray 2=Blue 3=Black
 4=Green 5=Orange 6=Red
 7=Transp 8=Yellow 9=White

Screw: SC=Slot/Cross C-Cross Screw



Product Code: 00~99

ANGLE TOLERANCE	PROJECTION	Description:
±3°		Pitch 5.08mm Terminal Block
GENERAL TOLERANCE	UNITS	mm
0~30 ±0.50	SHEET SIZE	A4
30~60 ±0.75	Draw:	Song
60~90 ±1.00	Check:	Daniel
		2024-11-13
		2024-11-13



NingBo KLS ELECTRONIC CO.,LTD.