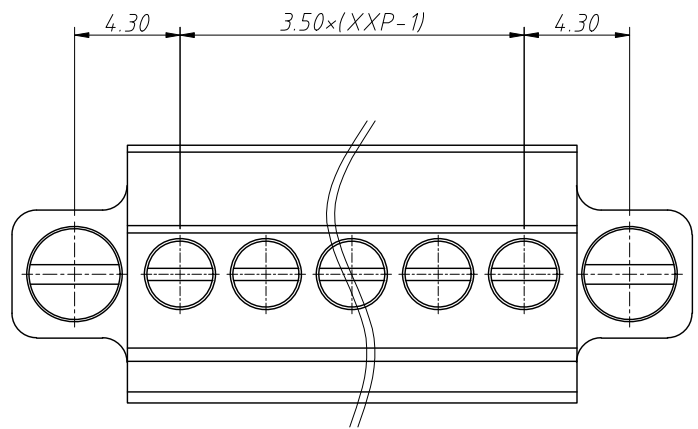


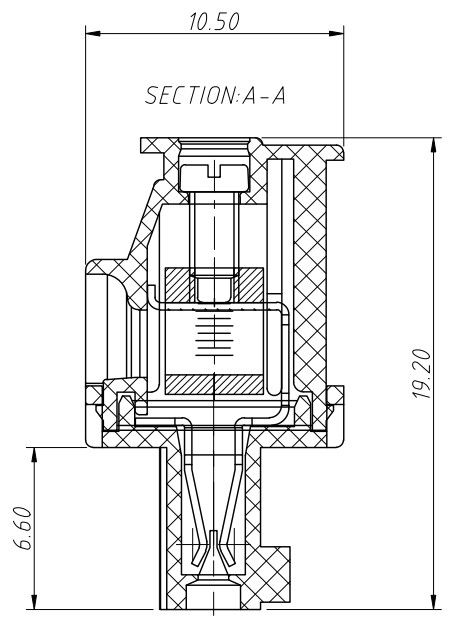
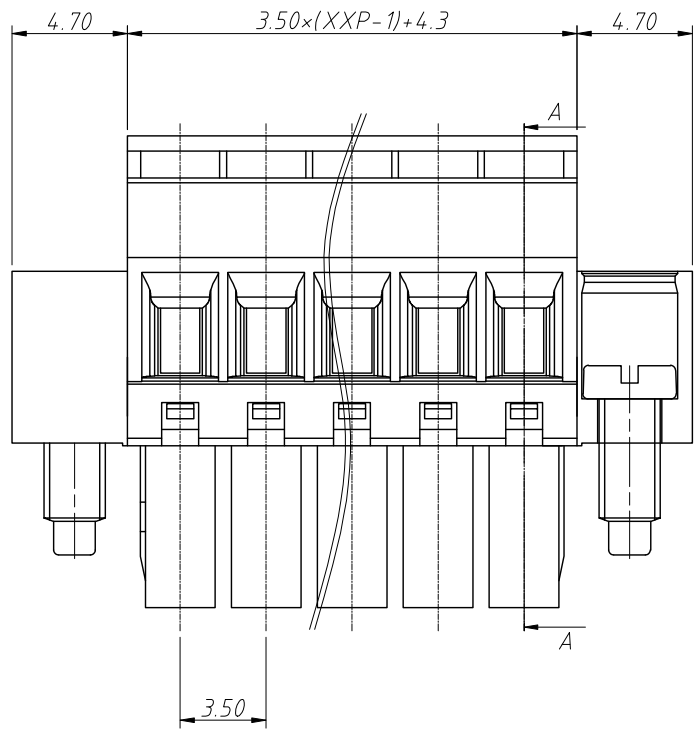
1  
RoHS Compliance

6		7		8	
REV	SYM	Revision Record		Appr.	Date
V0	KLS02006	New Version Release		Jenny	2024-08-20

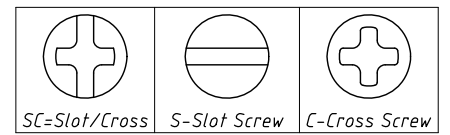


Material and other:  
 Housing:PA66, UL94V-0  
 Clamp:Copper alloy,Ni Plated  
 Cage:Copper alloy,Ni Plated  
 Screw:Steel,M2/Zn Plated  
 Screw Torque:M2/0.2Nm max  
 Stripping Length:6-7mm  
 Temp. Range:-40°C ~ +105°C  
 Contact resistance:20mΩ MAX  
 Insulation resistance:500MΩ/DC500V

Electrical Characteristics	UL	IEC
Rated Voltage	300V	250V
Rated Current	8A	7A
Withstand Voltage	2000V / 1min	---
Wire Range	16~28 AWG	1.5mm <sup>2</sup>



Order Information  
 L-KLS2-EDKBM-3.50-XXP-4 X  
 RoHS  
 Terminal Block  
 Pitch:3.50mm  
 No.:Of (02~24) Pin  
 Color:  
 1=Gray    2=Blue    3=Black  
 4=Green    5=Orange    6=Red  
 7=Transp    8=Yellow    9=White  
 Screw:SC=Slot/Cross  
 S-Slot Screw    C-Cross Screw

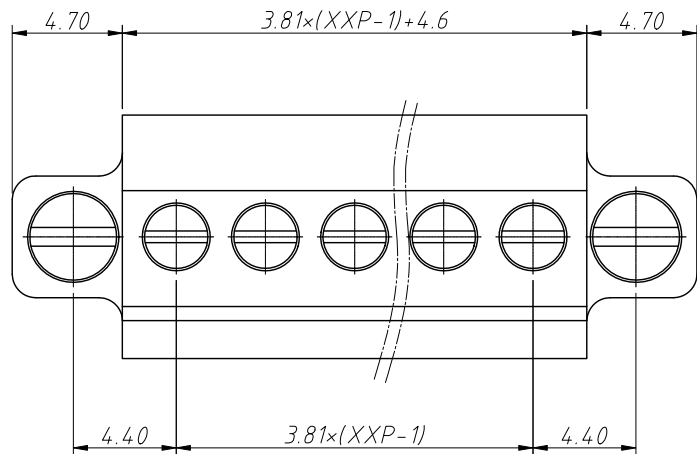


ANGLE TOLERANCE	PROJECTION	Description:			
±3°		Pitch 3.50mm Pluggable Terminal Block,Plug			
GENERAL TOLERANCE	UNITS	mm	KLS P/N:	L-KLS2-EDKBM-3.50-XXP-4X	
0~30	±0.50	SHEET SIZE	A4		
30~60	±0.75	Draw:	Jenny	2024-08-20	
60~90	±1.00	Check:	Daniel	2024-08-20	

**KLS** NingBo KLS ELECTRONIC CO.,LTD.

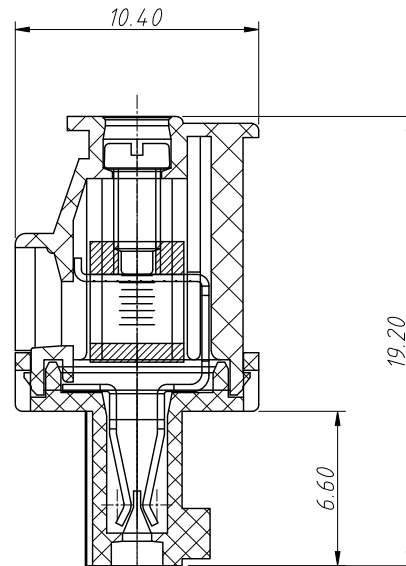
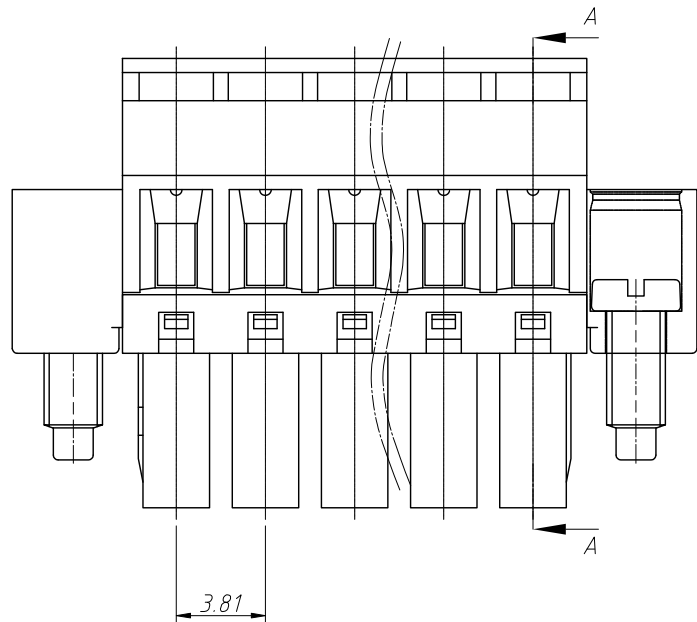
1  
RoHS Compliance

REV	SYM	Revision Record	Appr.	Date
V0	KLS02006	New Version Release	Jenny	2024-08-20



Material and other:  
 Housing:PA66, UL94V-0  
 Clamp:Copper alloy,Ni Plated  
 Cage:Copper alloy,Ni Plated  
 Screw:Steel,M2/Zn Plated  
 Screw Torque:M2/0.2Nm max  
 Stripping Length:6-7mm  
 Temp. Range:-40°C ~ +105°C  
 Contact resistance:20mΩ MAX  
 Insulation resistance:500MΩ/DC500V

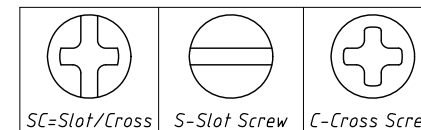
Electrical Characteristics	UL	IEC
Rated Voltage	300V	250V
Rated Current	8A	7A
Withstand Voltage	2000V / 1min	---
Wire Range	16~28 AWG	1.5mm <sup>2</sup>



Order Information

L-KLS2-EDKBM-3.81-XXP-4 X

RoHS  
 Terminal Block  
 Pitch:3.81mm  
 No.:Of (02~24) Pin  
 Color:  
 1=Gray    2=Blue    3=Black  
 4=Green    5=Orange    6=Red  
 7=Transp    8=Yellow    9=White  
 Screw:SC=Slot/Cross  
 S=Slot Screw    C=Cross Screw



ANGLE TOLERANCE	PROJECTION	Description:
±3°		Pitch 3.81mm Pluggable Terminal Block,Plug
GENERAL TOLERANCE	UNITS	mm
0~30	±0.50	KLS P/N:
30~60	±0.75	L-KLS2-EDKBM-3.81-XXP-4X
60~90	±1.00	Draw: Jenny
	Check: Daniel	2024-08-20

NingBo KLS ELECTRONIC CO.,LTD.