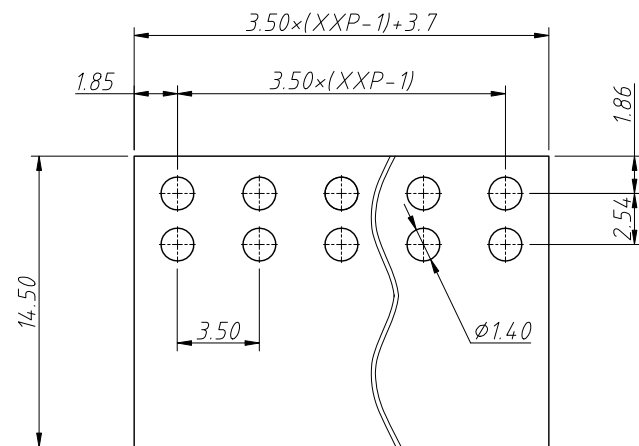


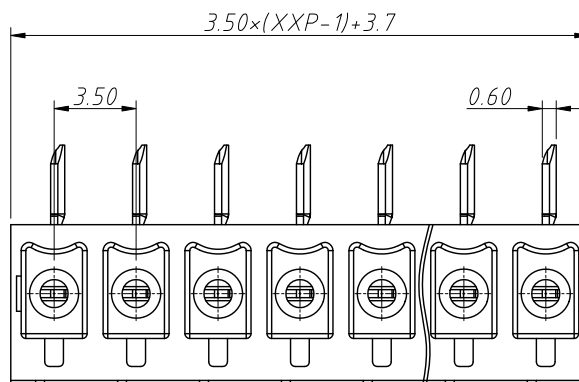
1 RoHS Compliance

REV	SYM	Revision Record	Appr.	Date
V0	KLS02006	New Version Release	Jenny	2024-09-03

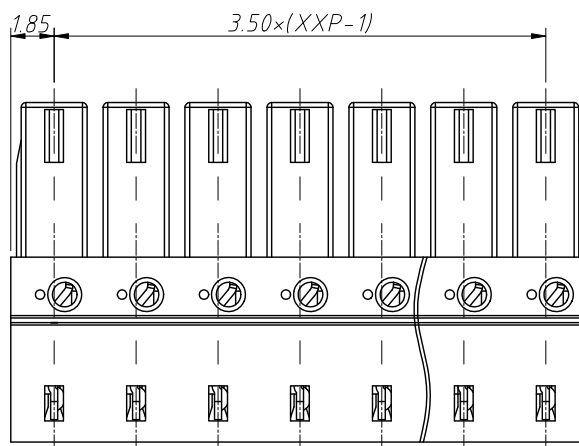
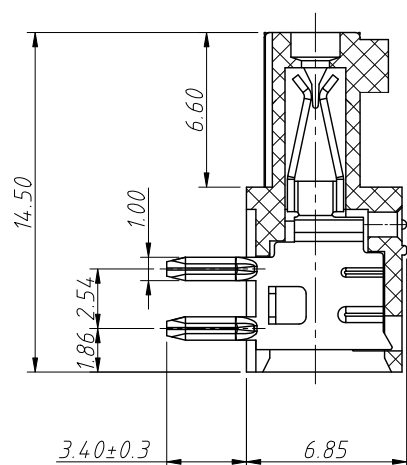
Electrical Characteristics	UL	IEC
Rated Voltage	300V	250V
Rated Current	8A	10A
Withstand Voltage	1500V / 1 min	---



Recommended PCB Layout



Material and other:  
 Housing: PA66, UL94V-0  
 Pin: Copper alloy, Sn Plated  
 Contact resistance: 20mΩ  
 Insulation resistance: 500MΩ/DC500V  
 Temp. Range: -40°C ~ +105°C  
 Soldering Max: +250°C, for 5 Sec



Order Information  
**L-KLS2-EDKR-3.50-XXP-4**  
 RoHS Terminal Block  
 Pitch: 3.50mm  
 No.: Of (02~24) Pin  
 Color:  
 1=Gray 2=Blue 3=Black  
 4=Green 5=Orange 6=Red  
 7=Transp 8=Yellow 9=White

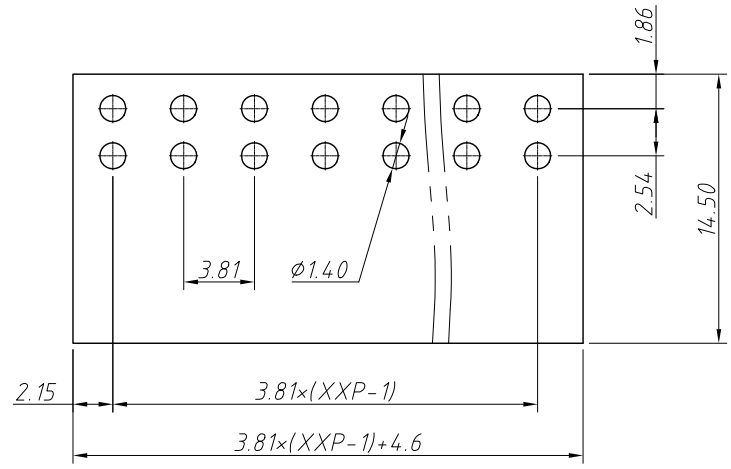
ANGLE TOLERANCE	PROJECTION	Description:
±3°		Pitch 3.50mm Terminal Block
GENERAL TOLERANCE	UNITS	mm
0~30 ±0.50	SHEET SIZE	A4
30~60 ±0.75	Draw:	Jenny 2024-09-03
60~90 ±1.00	Check:	Daniel 2024-09-03
		L-KLS2-EDKR-3.50-XXP-4
		NingBo KLS ELECTRONIC CO.,L TD.

1  
RoHS Compliance

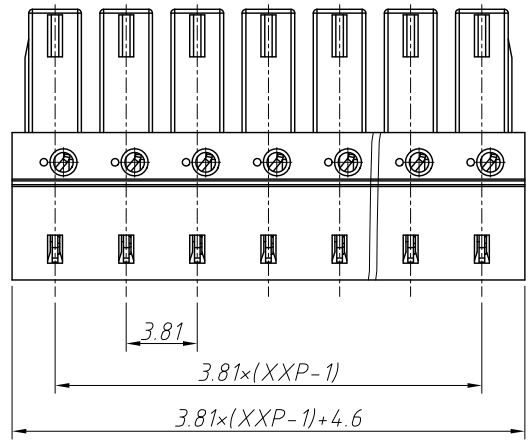
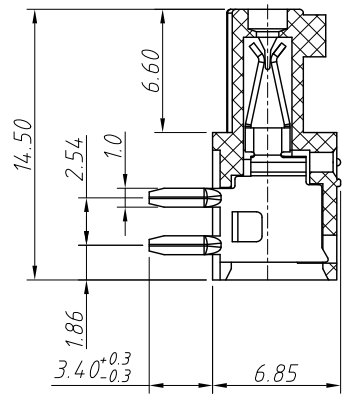
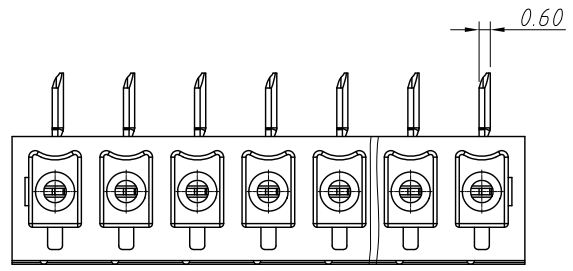
6		7		8	
REV	SYM	Revision Record		Appr.	Date
V0	KLS02006	New Version Release		WuHao	2024-11-01

Electrical Characteristics	UL	IEC
Rated Voltage	300V	250V
Rated Current	8A	10A
Withstand Voltage	AC 2000V/1 min	---

Material and other:  
 Housing:PA66, UL 94V-0  
 Pin Header:Phosphor Bronze, Tin Plated  
 Contact resistance:20mΩ MAX  
 Insulation resistance:500MΩ/DC500V  
 Temp. Range:-40°C ~ +105°C  
 Soldering:+250°C For 5 Sec

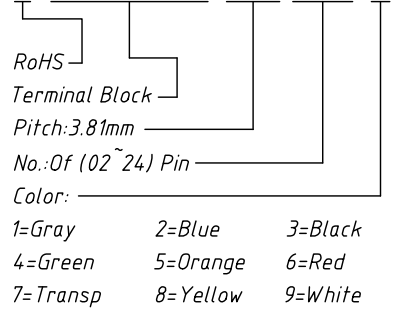


Recommended PCB Layout

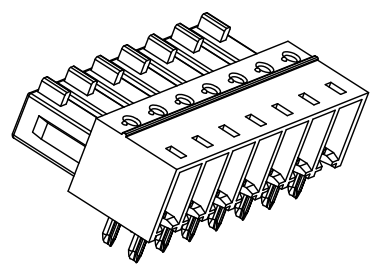


Order Information

L-KLS2-EDKR-3.81-XXP-X



- Color: 1=Gray 2=Blue 3=Black  
 4=Green 5=Orange 6=Red  
 7=Transp 8=Yellow 9=White



ANGLE TOLERANCE	PROJECTION	Description:			
±3°		Pitch 3.81mm Terminal Block			
GENERAL TOLERANCE	UNITS	mm	KLS P/N:	L-KLS2-EDKR-3.81-XXP-X	
0~30	±0.50	SHEET SIZE	A4		
30~60	±0.75	Draw:	WuHao	2024-11-01	
60~90	±1.00	Check:	Daniel	2024-11-01	

**KLS** NingBo KLS ELECTRONIC CO.,L TD.