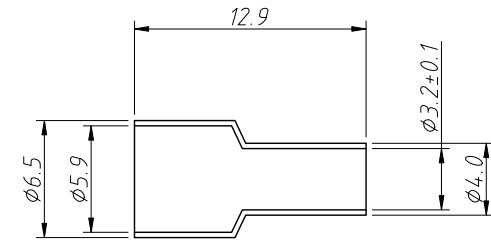
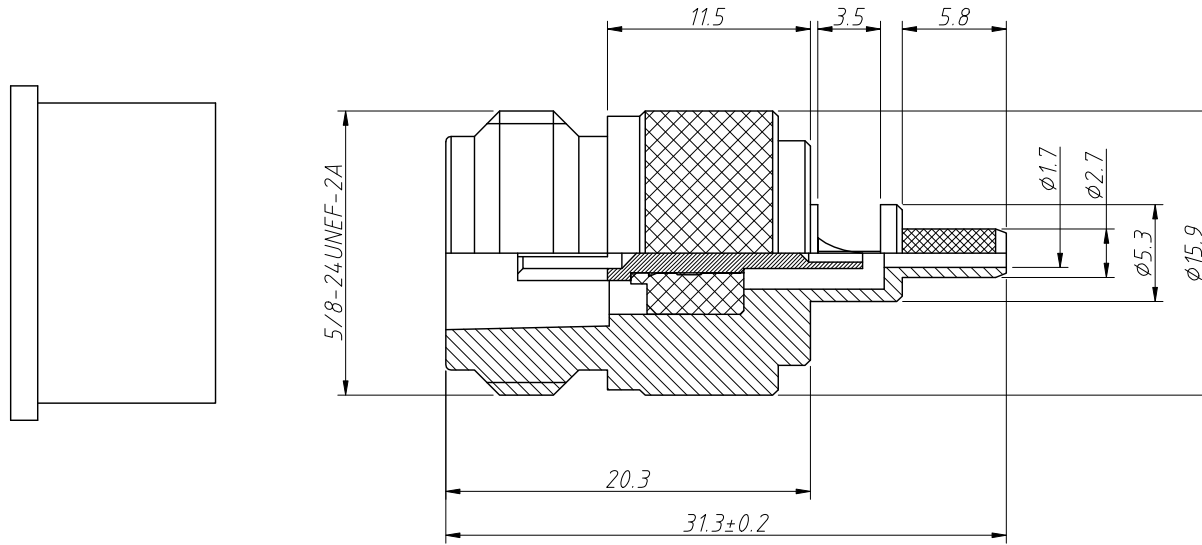


1  
RoHS Compliance

6	7	8
REV	SYM	Revision Record
V0	KLS01058	New Version Release
		Appr. Jenny
		Date 2024-12-25



Description:  
 Material: Brass,  
 Gold Plated On Contact Area  
 Nickel Plating On Surface  
 Impedance: 50Ω  
 VSWR: 1.35 Max  
 Frequency Range: 0 ~ 6GHz,  
 Durability: 500 Cycles Min  
 Matched Cable: RG316/RG174

ANGLE TOLERANCE	PROJECTION	Description:	N Connector	
±3°				
GENERAL TOLERANCE	UNITS	mm	KLS P/N:	L-KLS1-N005-RG174
x.x ±0.30	SHEET SIZE	A4		
x.xx ±0.20	Draw:	Jenny	2024-12-25	NingBo KLS ELECTRONIC CO.,L TD.
x.xxx ±0.10	Check:	Daniel	2024-12-25	