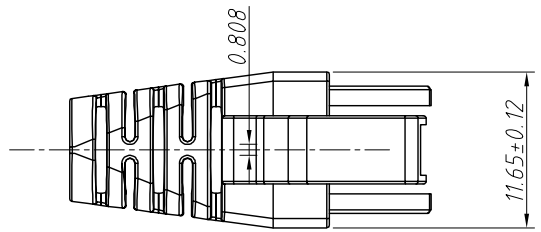
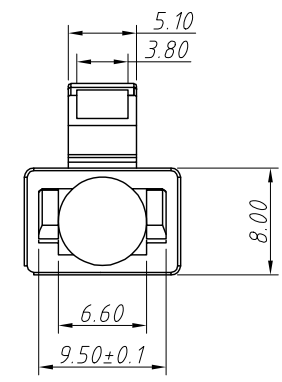
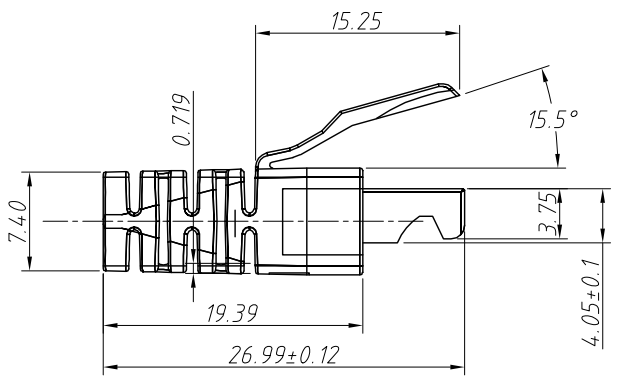
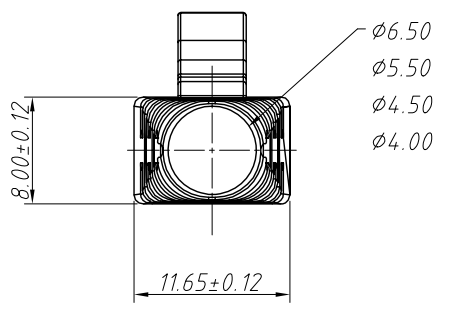


1
RoHS Compliance

7		8	
REV	SYM	Revision Record	Appr.
V0	KLS12001	New Version Release	WuHao
			Date
			2024-12-24

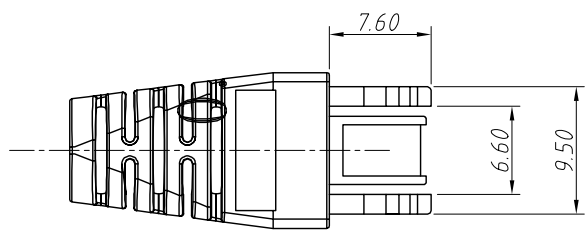
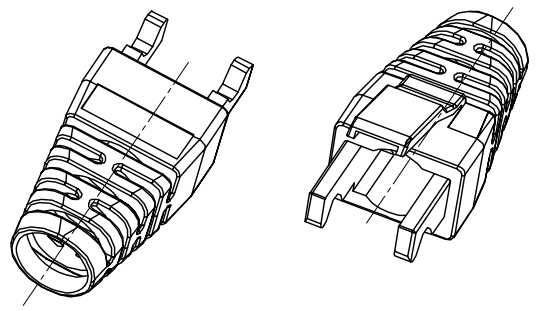


Material:
Housing:PC,UL 94 V-2



Order Information
L-KLS12-RJ45-A-1

RoHS _____
Type _____
Series No. _____
Color: _____
1=Green 2=Red 3=Yellow
4=Blue 5=Gray 6=Black



ANGLE TOLERANCE	PROJECTION	Description:	
±3°			RJ45 Modular Plug Boot
GENERAL TOLERANCE	UNITS	mm	KLS P/N:
.x ±0.30	SHEET SIZE	A4	L-KLS12-RJ45-A-X
.xx ±0.20	Draw:	WuHao	2024-12-24
.xxx ±0.10	Check:	Daniel	2024-12-24

