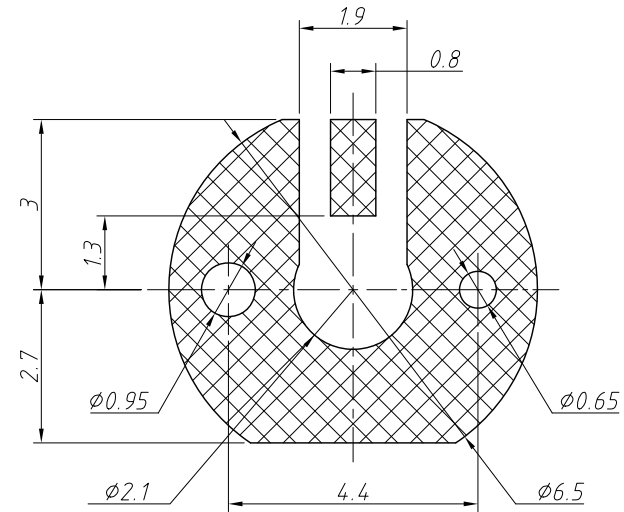
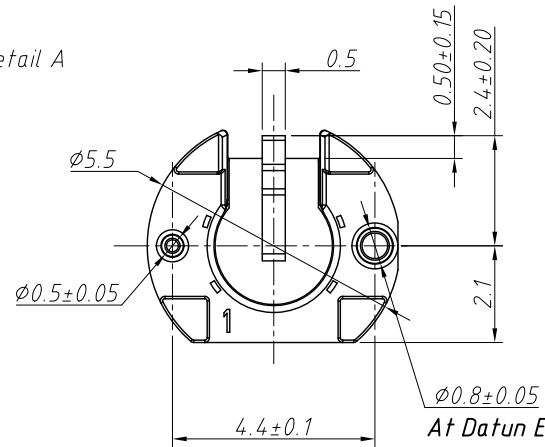
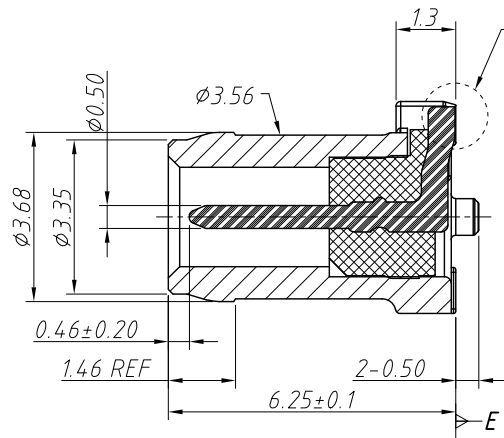
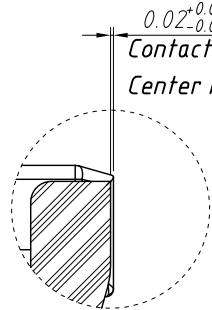


1 RoHS Compliance

6		7		8	
REV	SYM	Revision Record		Appr.	Date
V0	KLS01481	New Version Release		WuHao	2024-12-19



Scale 8.0  
Recommended PCB Layout  
(For Reference)



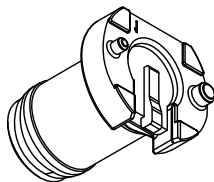
Detail A  
Scale 3.0

0.02<sup>+0.08</sup>/<sub>-0.02</sub> T  
Contact Pin To B  
Center Needle Bottom To Main Body Bottom

**Material:**  
Body: Zinc Alloy  
Terminal: Brass  
Insulator: HTN+30%GF  
High Temperature Resistance, Reflow Soldering

**Electric:**  
Frequency Range: DC To 4 GHz  
Rated Voltage: 60V DC Max  
Rated Current: 1A DC Max  
Test Voltage: 500V AC Min  
Insulation Resistance: 1000 MΩ Min

**Center Contact Resistance:**  
Test Before: 5 mΩ Max  
Test After: 40 mΩ Max  
**Outer Contact Resistance:**  
Test Before: 5 mΩ Max  
Test After: 40 mΩ Max  
**Engagement Force:** 25N Max  
**Durability:** 100 Cycles  
**Temperature Range:** -40°C ~ +105°C



ANGLE TOLERANCE		PROJECTION		Description:	
±3°				SMB Connector	
GENERAL TOLERANCE		UNITS	mm	KLS P/N:	
.x	±0.30	SHEET SIZE	A4	L-KLS1-ACC09B	
.xx	±0.20	Draw:	WuHao	2024-12-19	NingBo KLS ELECTRONIC CO.,LTD.
.xxx	±0.10	Check:	Daniel	2024-12-19	