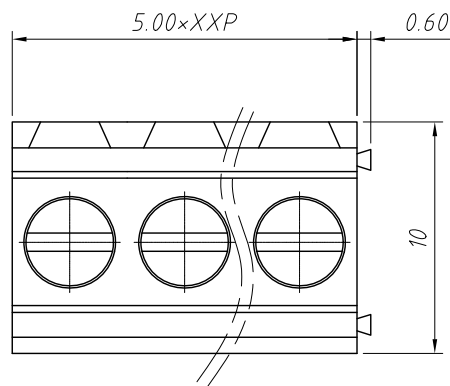
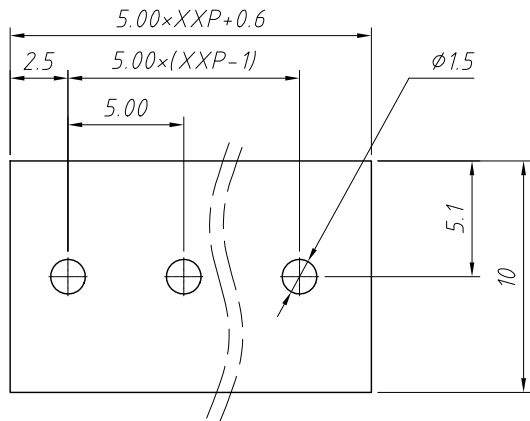
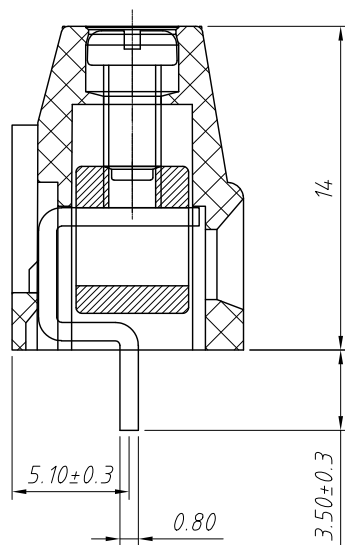


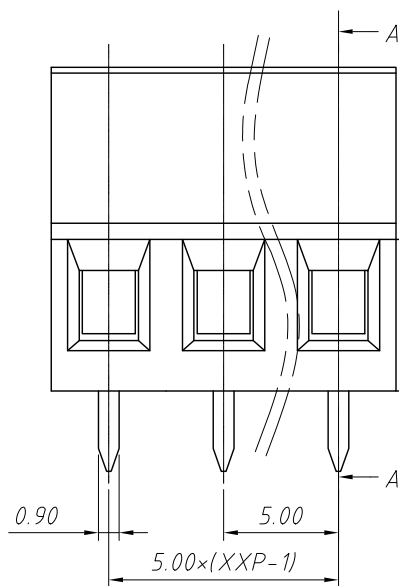
1
RoHS Compliance



Recommended PCB Layout



SECTION A-A



6	7	8
REV	SYM	Revision Record
V0	KLS02006	New Version Release
		Appr.
		WuHao
		Date
		2024-11-12

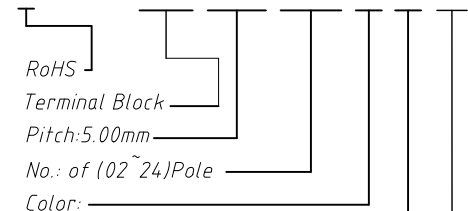
Electrical Characteristics	UL	IEC
Rated Voltage	300V	250V
Rated Current	15A	18A
Withstand Voltage	AC2000V/1min	---
Wire Range	30~14 AWG	2.5mm ²

Material

Housing:PA66,UL 94V-0 Pin Header:Brass,Tin plated
 Cage:Brass,Ni Plated Steip Length:6~7 mm
 Screw/Torque:Steel,M2.5,Zn Plated/0.4N.m Max
 Temp.Range:-40°C ~ +105°C Soldering:+250°C,For 5 Sec
 Contact resistance:20mΩ MAX
 Insulation resistance:500MΩ/DC500V

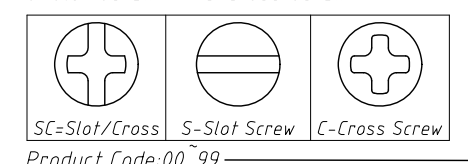
Order Information

L-KLS2-128I-5.00-XXP-X X 01



- Color:
- 1=Gray 2=Blue 3=Black
 - 4=Green 5=Orange 6=Red
 - 7=Transp 8=Yellow 9=White

Screw:SC=Slot/Cross
 S-Slot Screw C-Cross Screw

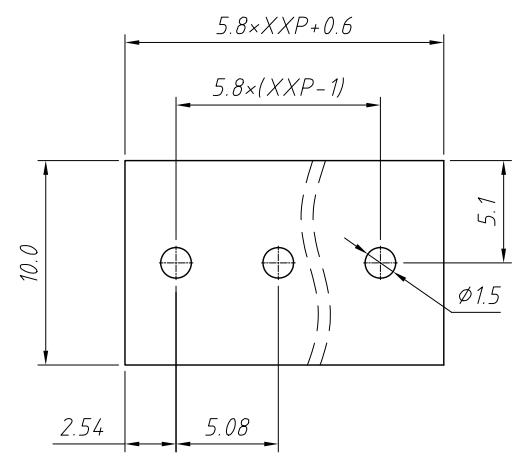
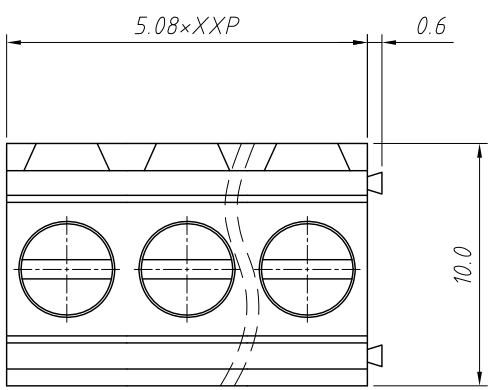


Product Code:00~99

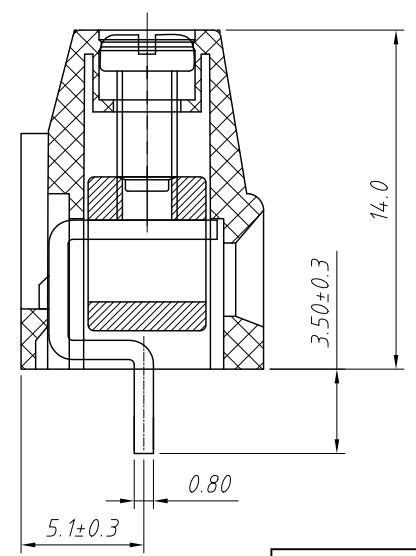
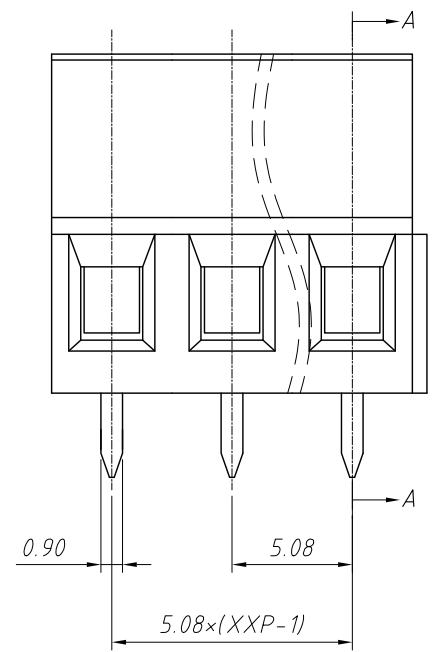
ANGLE TOLERANCE	PROJECTION	Description:
±3°		Pitch 5.00mm Terminal Blocks
GENERAL TOLERANCE	UNITS	mm
x.x ±0.30	SHEET SIZE	A4
x.xx ±0.20	Draw:	WuHao 2024-11-12
x.xxx ±0.10	Check:	Daniel 2024-11-12
		NingBo KLS ELECTRONIC CO.,L TD.

1
RoHS Compliance

REV	SYM	Revision Record	Appr.	Date
V0	KLS02006	New Version Release	WuHao	2024-10-23
V1	KLS02006	Technology Improvement	WuHao	2024-10-23



Recommended PCB Layout



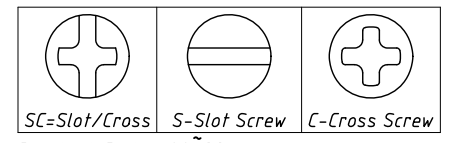
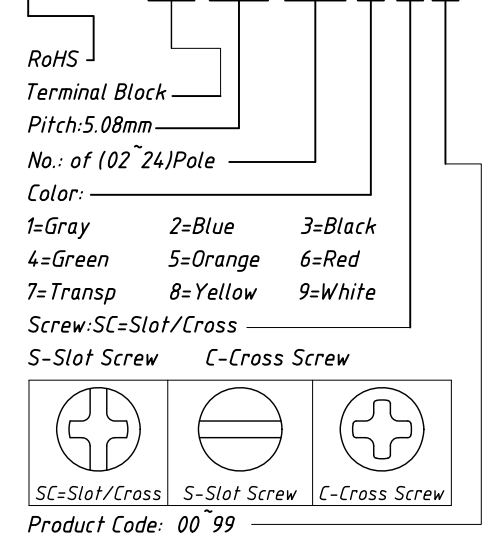
SECTION: A-A

Electrical Characteristics	UL	IEC
Rated Voltage	300V	250V
Rated Current	15A	12A
Withstand Voltage	1600V/1 min	4.00 KV
Wire Range	14 ~ 30 AWG	0.5 ~ 2.5 mm ²

Material and other:
 Housing: PA66, UL94V-0
 Pin header: Copper alloy, Sn plated
 Temp. Range: -40 °C ~ +105 °C
 Soldering Temperature: 260°C/10S
 Screw/Torque: M2.5/0.4Nm max
 Stripping Length: 6 ~ 7 mm

Order Information

L-KLS2-128I-5.08-XXP-X X 01



Product Code: 00 ~ 99

ANGLE TOLERANCE	PROJECTION	Description:
±3°		Pitch 5.08mm Pluggable Terminal Block, Plug
GENERAL TOLERANCE	UNITS	mm
0 ~ 30	±0.50	
30 ~ 60	±0.75	
60 ~ 90	±1.00	
SHEET SIZE	A4	KLS P/N:
		L-KLS2-128I-5.08-XXP-X X 01
Draw:	WuHao	2024-10-23
Check:	Daniel	2024-10-23



NingBo KLS ELECTRONIC CO.,L TD.