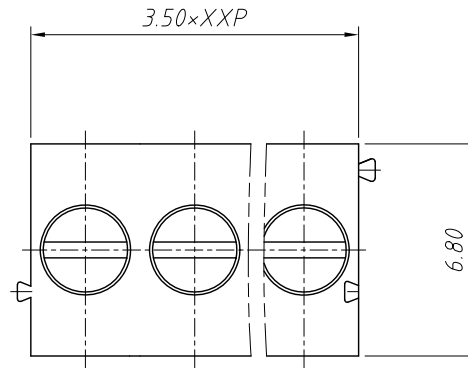
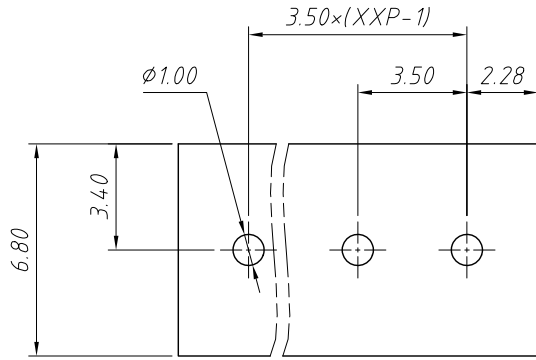


1
RoHS Compliance

6		7		8	
REV	SYM	Revision Record		Appr.	Date
V0	KLS02006	New Version Release		WuHao	2024-11-11



Recommended PCB Layout

Electrical Characteristics	UL	IEC
Rated Voltage	125V	160V
Rated Current	10A	13.5A
Withstand Voltage	1250V/1 min	2.5 KV
Wire Range	24~18 AWG	0.5~1.0mm ²

Material

Housing:PA66,UL94V-0

Pin Header:Copper Alloy,Sn Plated

Screw/Torque:M2.0/0.2N.m Max

Operating Temperature:-40°C ~ +105°C

Steip Length:5~6 mm

Order Information

L-KLS2-350-3.50-XXP-X X

RoHS

Terminal Block

Pitch:3.50mm

No.: of (02~24)Pole

Color:

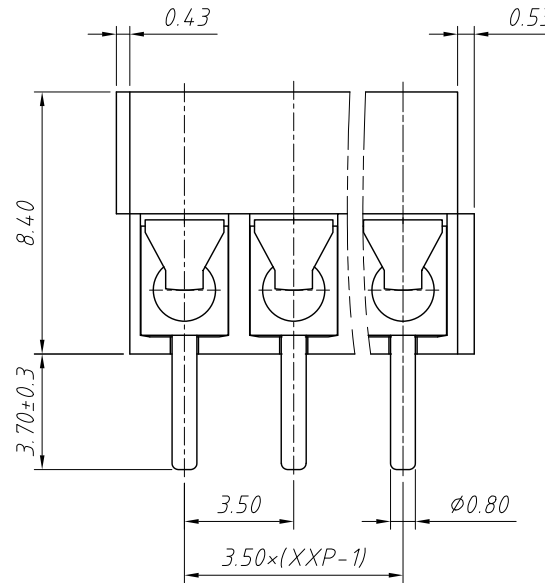
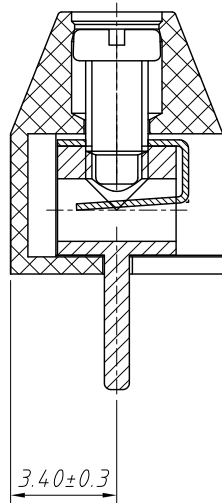
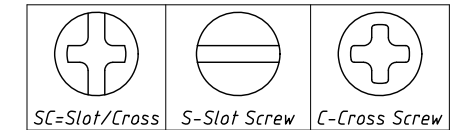
1=Gray 2=Blue 3=Black

4=Green 5=Orange 6=Red

7=Transp 8=Yellow 9=White

Screw:SC=Slot/Cross

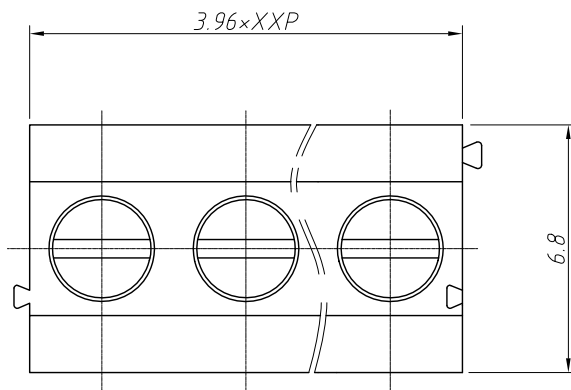
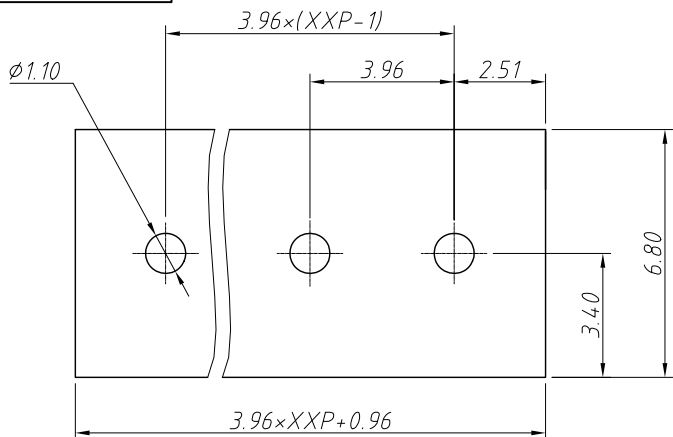
S-Slot Screw C-Cross Screw



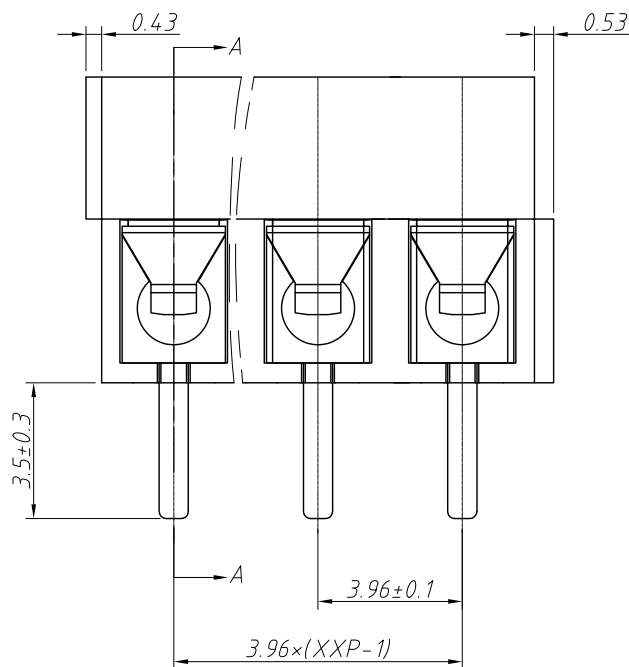
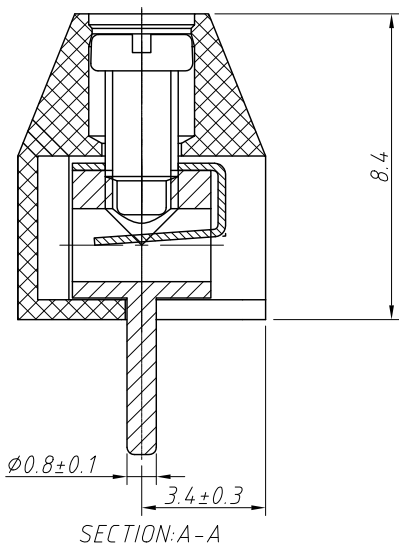
ANGLE TOLERANCE	PROJECTION	Description:			
±3°		Pitch 3.50mm Terminal Blocks			
GENERAL TOLERANCE	UNITS	mm	KLS P/N:	L-KLS2-350-3.50-XXP-XX	
x.x ±0.30	SHEET SIZE	A4		NingBo KLS ELECTRONIC CO.,L TD.	
x.xx ±0.20	Draw:	WuHao	2024-11-11		
x.xxx ±0.10	Check:	Daniel	2024-11-11		

1 RoHS Compliance

6		7		8	
REV	SYM	Revision Record		Appr.	Date
V0	KLS02006	New Version Release		WuHao	2024-09-23



Recommended PCB Layout

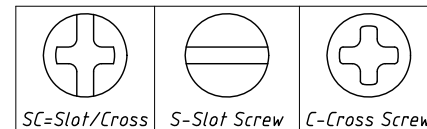


Electrical Characteristics	UL	IEC
Rated Voltage	300V	250V
Rated Current	10A	10A
Withstand Voltage	AC2000V / 1min	---
Wire Range	18-24 AWG	0.75mm ²

Order Information

L-KLS2-350-3.96-XXP-X X

- RoHS
- Terminal Block
- Pitch: 3.96mm
- No.: Of (02~24) Pin
- Color:
 - 1=Gray
 - 2=Blue
 - 3=Black
 - 4=Green
 - 5=Orange
 - 6=Red
 - 7=Transp
 - 8=Yellow
 - 9=White
- Screw: SC=Slot/Cross
- S-Slot Screw C-Cross Screw



Material and other:

Housing: PA66, UL94V-0

Pin header: Brass, Tin Plated / Shrapnel: Phosphor Bronze, Ni Plated

Screw/Torque: Steel, M2.0 Zn Plated / 0.2N.m Max.

Contact resistance: 20mΩ

Insulation resistance: 500MΩ/DC500V

Steip Length: 4.5-5mm

Temp. Range: -40°C ~ +105°C Max Soldering: +250°C, for 5 Sec

ANGLE TOLERANCE	PROJECTION	Description:	
±3°		Pitch 3.96mm Screw fixation Terminal Block	
GENERAL TOLERANCE	UNITS	mm	KLS P/N: L-KLS2-350-3.96-XXP-XX
0°~30° ±0.50	SHEET SIZE	A4	NingBo KLS ELECTRONIC CO., L TD.
30°~60° ±0.75	Draw:	WuHao	
60°~90° ±1.00	Check:	Daniel	