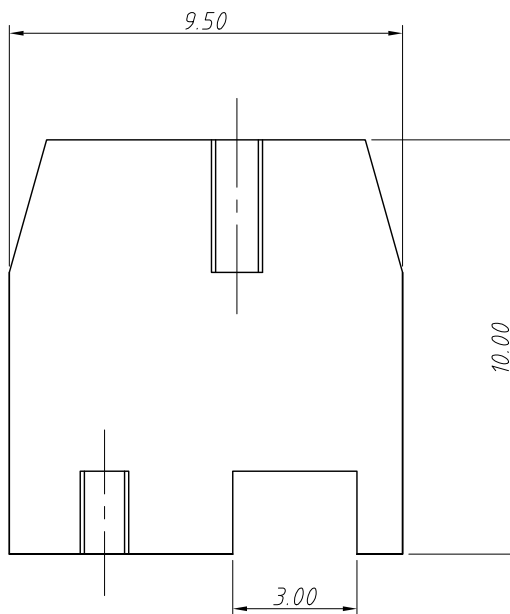
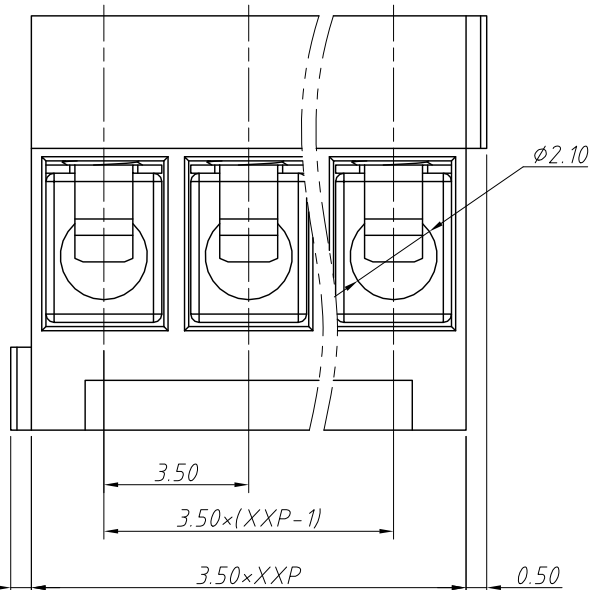
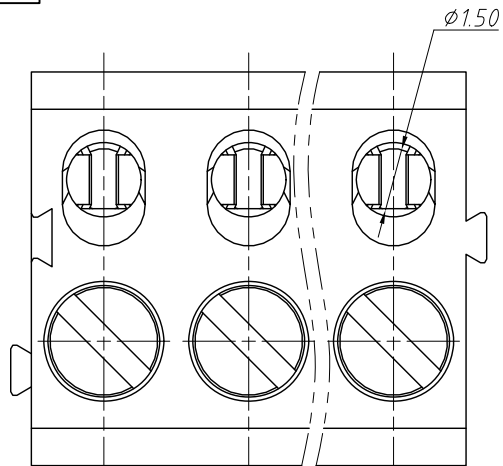


1 RoHS Compliance



REV	SYM	Revision Record	Appr.	Date
V0	KLS02006	New Version Release	WuHao	2024-09-23

Electrical Characteristics	UL	IEC
Rated Voltage	300V	160V
Rated Current	8A	8A
Withstand Voltage	1600V / 1 min	2.5KV
Wire Range	16-28 AWG	0.2-1.0 mm ²

Material and other:

Housing: PA66, UL 94 V-0

Pin Header: Copper Alloy, Sn Plated

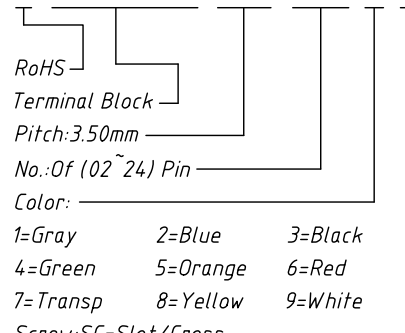
Screw/Torque: Steel, M2.0/0.2N.m Max.

Steip Length: 5-6mm

Operating temperatur: -40°C ~ +105°C

Order Information

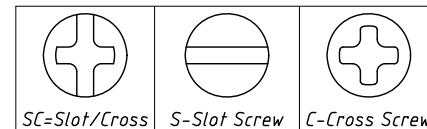
L-KLS2-333K-3.50-XXP-X X



- Color:
- 1=Gray 2=Blue 3=Black
 - 4=Green 5=Orange 6=Red
 - 7=Transp 8=Yellow 9=White

Screw: SC=Slot/Cross

S-Slot Screw C-Cross Screw



ANGLE TOLERANCE	PROJECTION	Description:
$\pm 3^\circ$		Pitch 3.50mm Screw fixation Terminal Block
GENERAL TOLERANCE	UNITS	mm
0~30	± 0.50	KLS P/N:
30~60	± 0.75	SHEET SIZE
60~90	± 1.00	A4
	Draw:	WuHao
	Check:	Daniel
		2024-09-23
		2024-09-23



NingBo KLS ELECTRONIC CO.,L TD.