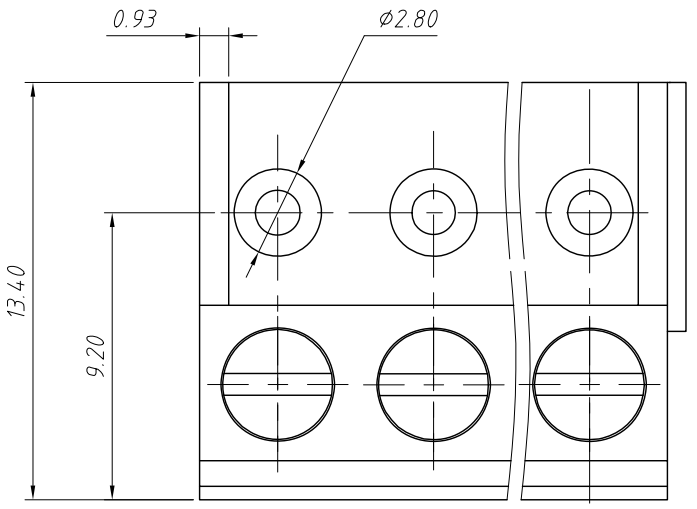


1
RoHS Compliance

REV	SYM	Revision Record	Appr.	Date
V0	KLS02006	New Version Release	WuHao	2024-11-11

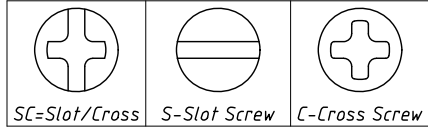
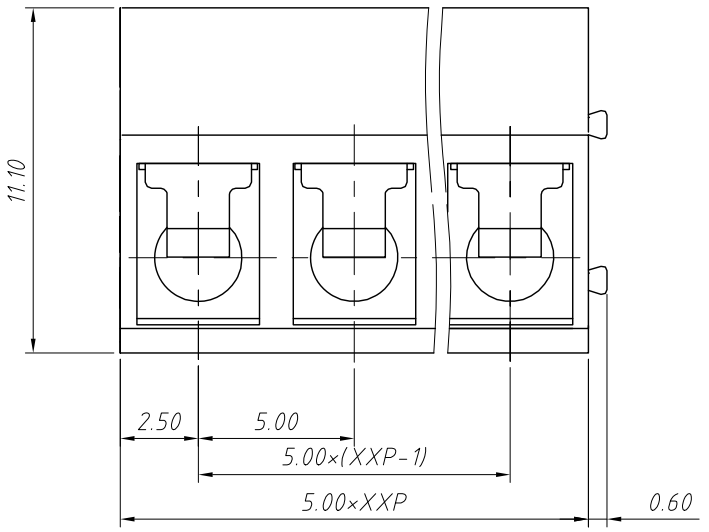
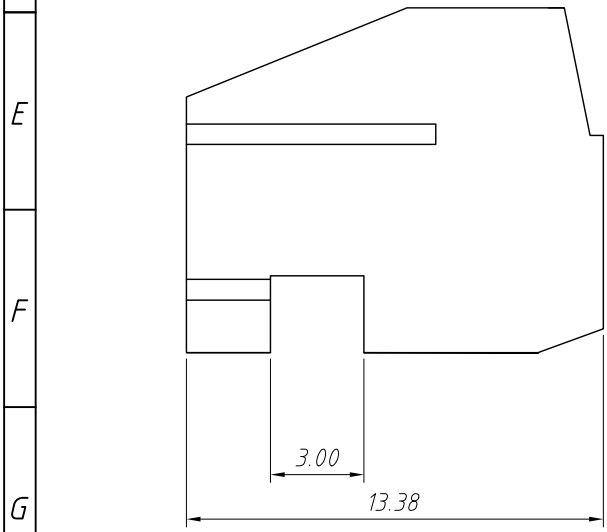
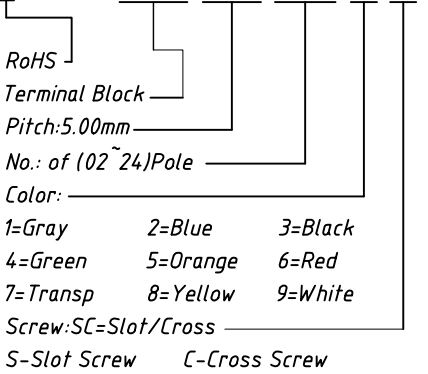


Electrical Characteristics	UL	IEC
Rated Voltage	300V	250V
Rated Current	10A	12A
Withstand Voltage	1600V/1 min	4.0 KV
Wire Range	28~16 AWG	0.2~1.5mm ²

Material
 Housing:PA66,UL94V-0
 Pin Header:Copper Alloy,Sn Plated
 Screw/Torque:M2.5/0.4N.m Max
 Operating Temperature:-40°C ~ +105°C
 Steip Length:5~6 mm

Order Information

L-KLS2-332K-5.00-XXP-X X



ANGLE TOLERANCE	PROJECTION	Description:
±3°		Pitch 5.00mm Terminal Blocks
GENERAL TOLERANCE	UNITS	mm
x.x ±0.30	SHEET SIZE	A4
x.xx ±0.20	Draw:	WuHao 2024-11-11
x.xxx ±0.10	Check:	Daniel 2024-11-11
KLS ELECTRONIC		NingBo KLS ELECTRONIC CO.,L TD.

