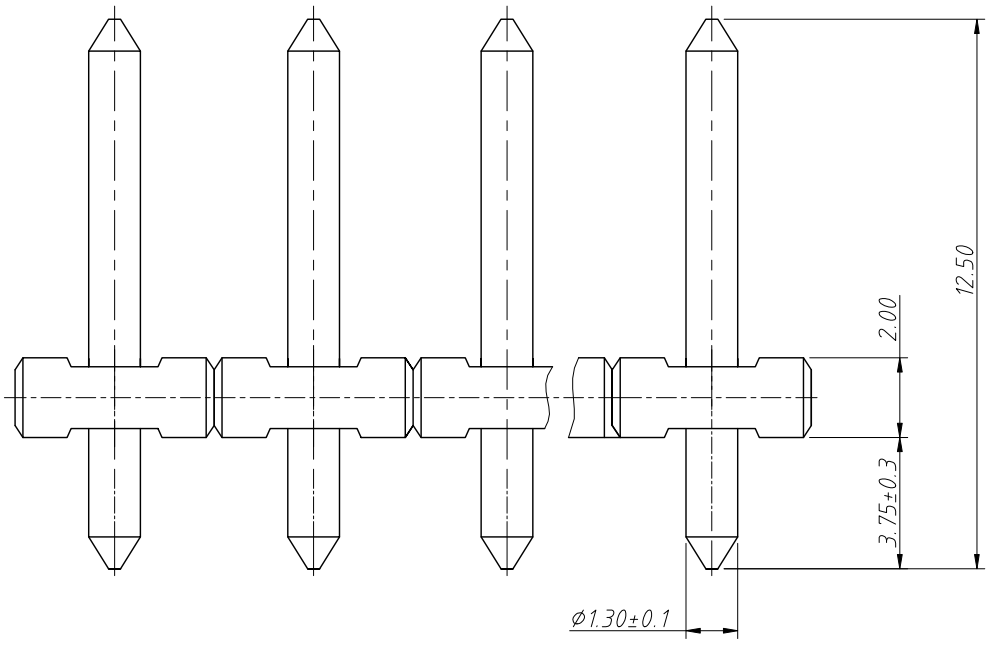


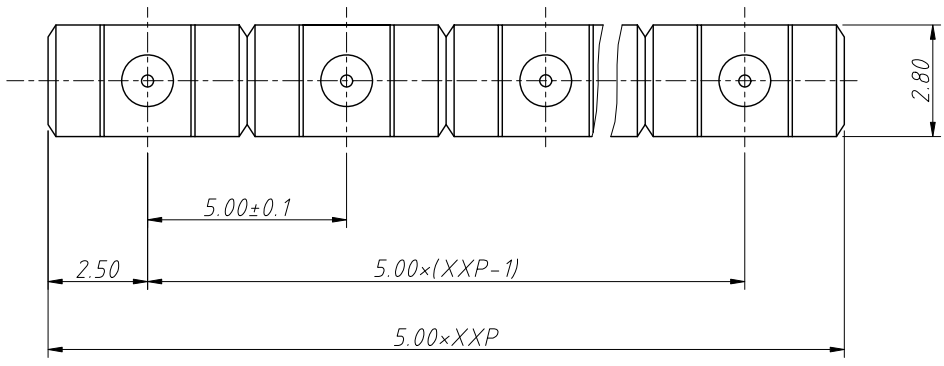
1
RoHS Compliance

REV	SYM	Revision Record	Appr.	Date
V0	KLS02006	New Version Release	Song	2024-11-11

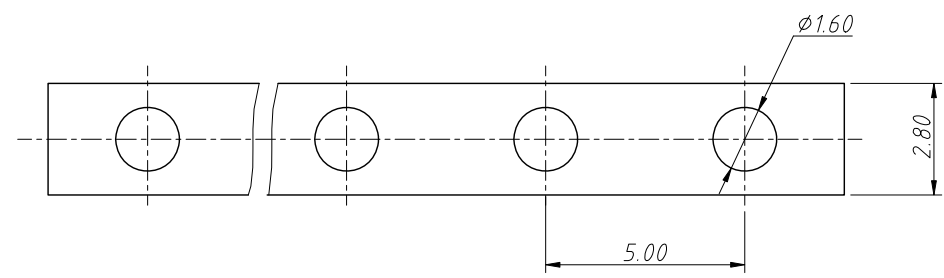


Electrical Characteristics	UL	IEC
Rated Voltage	300V	250V
Rated Current	10A	18A
Withstand Voltage	AC2000V/1 min	---

Material and other:
 Housing:PBT,UL 94 V-0
 Pin Header:Brass,Tin Plated
 Contact Resistance:20mΩ Max
 Insulation Resistance:500MΩ/DC500V Min
 Temp. Range:-40°C ~ +105°C
 MAX Soldering:250°C For 5S



Order Information
L-KLS2-332J-5.00-XXP-X
 RoHS
 Terminal Block
 Pitch:5.00mm
 No.:Of (02~24) Pin
 Color:
 1=Gray 2=Blue 3=Black
 4=Green 5=Orange 6=Red
 7=Transp 8=Yellow 9=White



Recommended PCB Layout

ANGLE TOLERANCE	PROJECTION	Description:	Pitch 5.00mm Terminal Blocks		
±3°			L-KLS2-332J-5.00-XXP-X		
GENERAL TOLERANCE	UNITS	mm	KLS P/N:		
0~30 ±0.50	SHEET SIZE	A4			
30~60 ±0.75	Draw:	Song	2024-11-11		
60~90 ±1.00	Check:	Daniel	2024-11-11		

