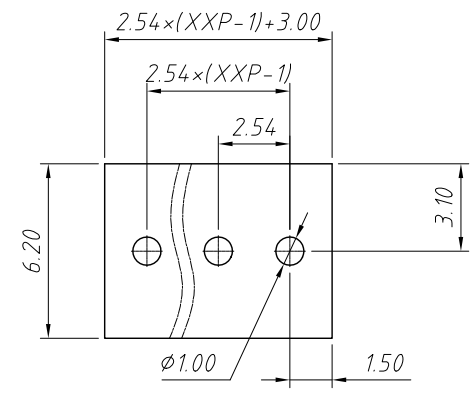
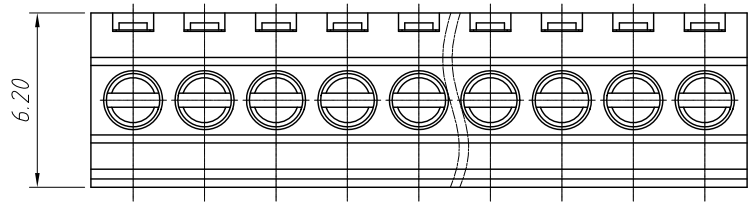
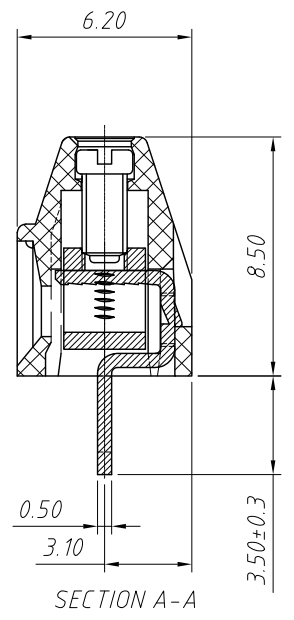
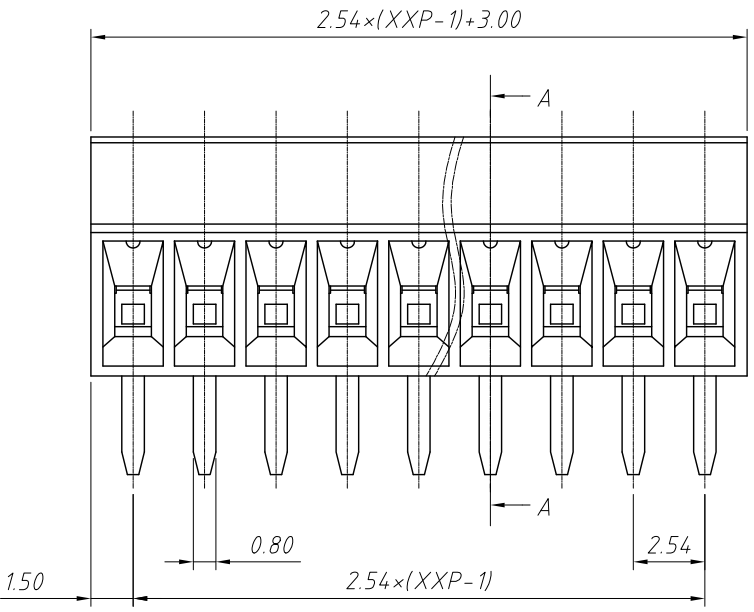


1  
RoHS Compliance

6	7	8		
REV	SYM	Revision Record	Appr.	Date
V0	KLS02006	New Version Release	WuHao	2024-11-11



Recommended PCB Layout



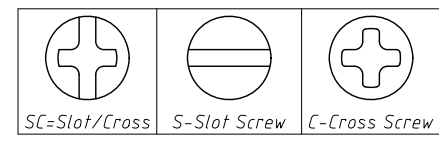
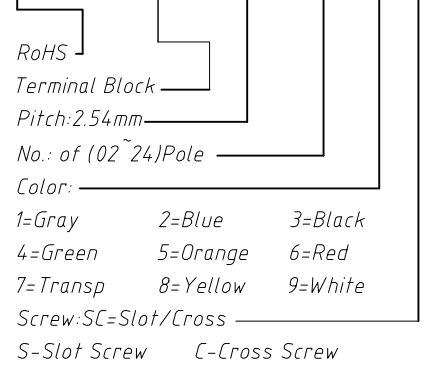
SECTION A-A

Electrical Characteristics	UL	IEC
Rated Voltage	150V	130V
Rated Current	6A	8A
Withstand Voltage	AC1300V/1 min	---
Wire Range	26~18 AWG	1.0mm <sup>2</sup>

Material  
 Housing: PA66, UL94V-0  
 Pin Header: Copper alloy, Tin plated  
 Cage: Copper alloy, Ni plated  
 Screw/Torque: Steel, M1.6, Zn Plated/0.1N.m Max  
 Temp. Range: -40°C ~ +105°C  
 Soldering: +250°C, For 5 Sec

Order Information

L-KLS2-308V-2.54-XXP-X X



ANGLE TOLERANCE	PROJECTION	Description:		
±3°		Pitch 2.54mm Terminal Blocks		
GENERAL TOLERANCE	UNITS	mm	KLS P/N:	L-KLS2-308V-2.54-XXP-XX
x.x ±0.30	SHEET SIZE	A4		
x.xx ±0.20	Draw:	WuHao	2024-11-11	
x.xxx ±0.10	Check:	Daniel	2024-11-11	

**KLS** ELECTRONIC  
 NingBo KLS ELECTRONIC CO.,L TD.