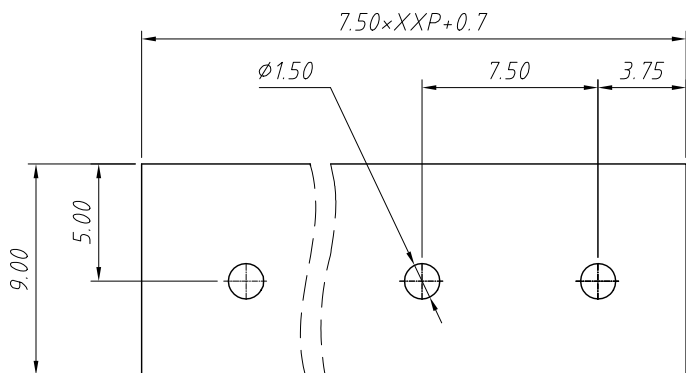


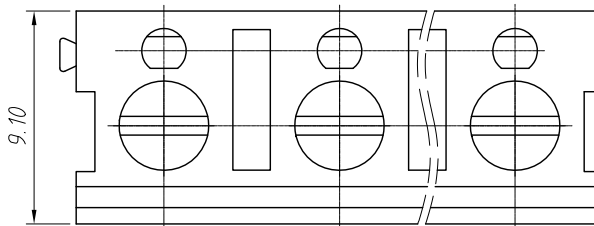
1 RoHS Compliance

REV	SYM	Revision Record	Appr.	Date
V0	KLS02006	New Version Release	WuHao	2024-11-11

Electrical Characteristics	UL	IEC
Rated Voltage	250V	250V
Rated Current	16A	24A
Withstand Voltage	AC2000V/1min	---
Wire Range	22~14 AWG	2.5mm ²



Recommended PCB Layout



Material

Housing: PA66, UL 94V-0 Pin Header: Copper Alloy, Sn plated
 Shrapnel: Copper Alloy, Ni Plated Strip Length: 4~4.5mm
 Screw/Torque: Steel, M2.5, Zn Plated/0.4N.m Max
 Temp. Range: -40°C ~ +105°C Soldering: +250°C, For 5 Sec
 Contact resistance: 20mΩ MAX
 Insulation resistance: 500MΩ/DC500V

Order Information

L-KLS2-305V-7.50-XXP-X X

RoHS

Terminal Block

Pitch: 7.50mm

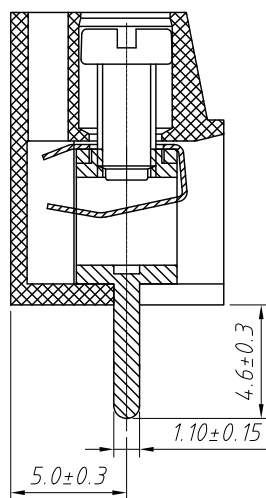
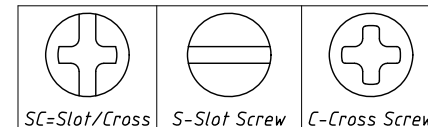
No. of (02~24) Pole

Color:

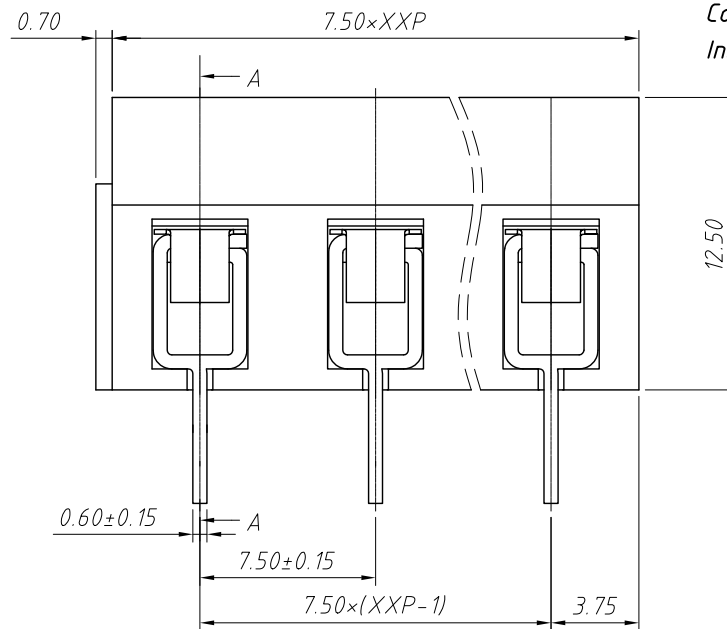
- 1=Gray 2=Blue 3=Black
- 4=Green 5=Orange 6=Red
- 7=Transp 8=Yellow 9=White

Screw: SC=Slot/Cross

S-Slot Screw C-Cross Screw



SECTION A-A



ANGLE TOLERANCE	PROJECTION	Description:
±3°		Pitch 7.50mm Terminal Blocks
GENERAL TOLERANCE	UNITS	mm
x.x ±0.30	SHEET SIZE	A4
x.xx ±0.20	Draw:	WuHao 2024-11-11
x.xxx ±0.10	Check:	Daniel 2024-11-11



NingBo KLS ELECTRONIC CO.,L TD.