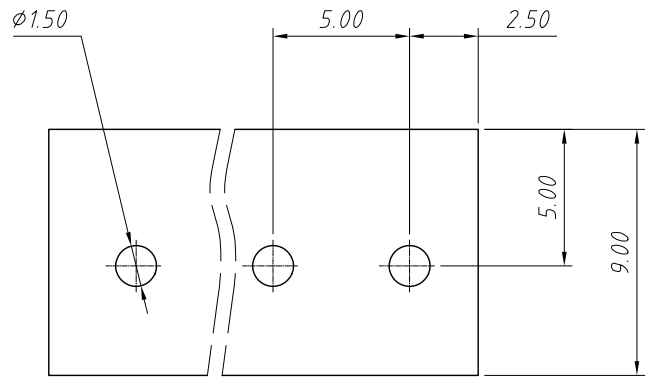
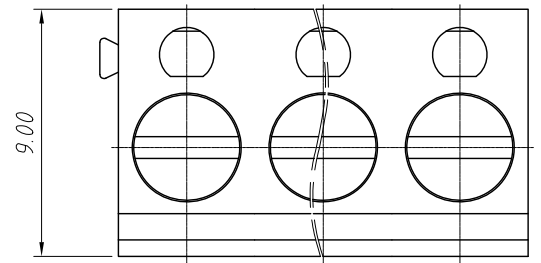


1 RoHS Compliance

|     |          |                     |       |            |
|-----|----------|---------------------|-------|------------|
| REV | SYM      | Revision Record     | Appr. | Date       |
| V0  | KLS02006 | New Version Release | WuHao | 2024-11-11 |



Recommended PCB Layout

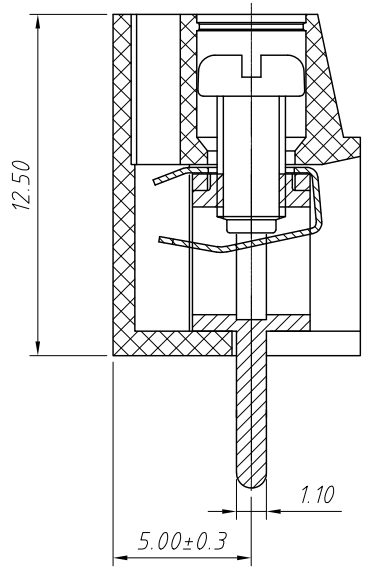
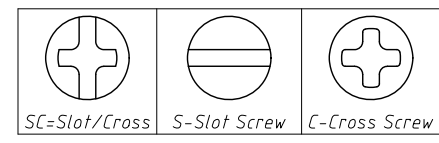


|                            |             |                        |
|----------------------------|-------------|------------------------|
| Electrical Characteristics | UL          | IEC                    |
| Rated Voltage              | 250V        | 250V                   |
| Rated Current              | 16A         | 24A                    |
| Withstand Voltage          | 1500V/1 min | 4.0 KV                 |
| Wire Range                 | 22~14 AWG   | 0.5~2.5mm <sup>2</sup> |

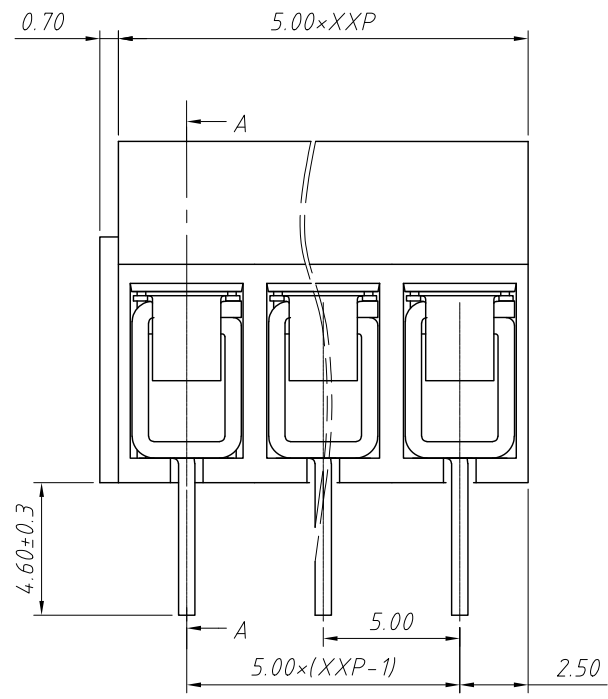
Material  
 Housing: PA66, UL 94V-0  
 Pin Header: Copper Alloy, Sn plated  
 Screw/Torque: M2.5/0.4N.m Max  
 Operating Temperature: -40°C ~ +105°C  
 Strip Length: 5~6 mm

Order Information  
 L-KLS2-305V-5.00-XXP-X X

RoHS  
 Terminal Block  
 Pitch: 5.00mm  
 No.: of (02~24) Pole  
 Color:  
 1=Gray    2=Blue    3=Black  
 4=Green    5=Orange    6=Red  
 7=Transp    8=Yellow    9=White  
 Screw: SC=Slot/Cross  
 S-Slot Screw    C-Cross Screw



SECTION A-A



|                   |            |                                 |
|-------------------|------------|---------------------------------|
| ANGLE TOLERANCE   | PROJECTION | Description:                    |
| ±3°               |            | Pitch 5.00mm Terminal Blocks    |
| GENERAL TOLERANCE | UNITS      | mm                              |
| x.x ±0.30         | SHEET SIZE | A4                              |
| x.xx ±0.20        | Draw:      | WuHao 2024-11-11                |
| x.xxx ±0.10       | Check:     | Daniel 2024-11-11               |
|                   |            | NingBo KLS ELECTRONIC CO.,L TD. |



NingBo KLS ELECTRONIC CO.,L TD.