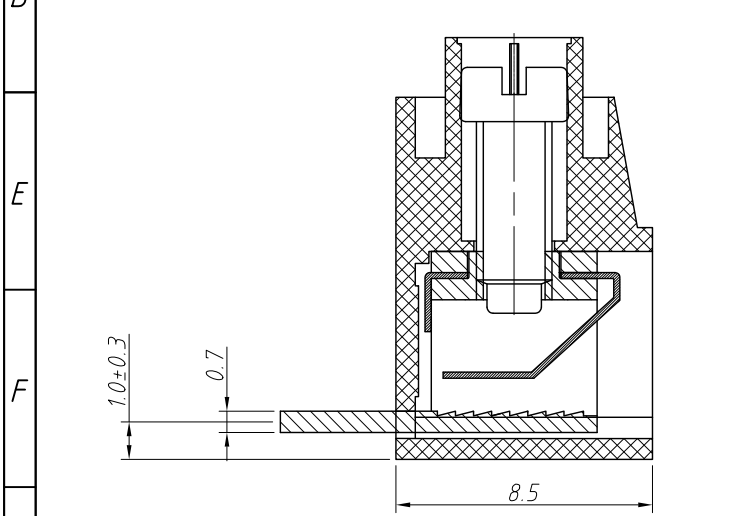
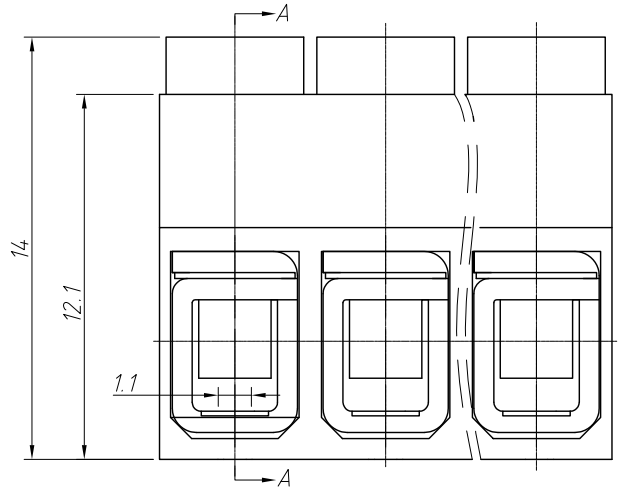
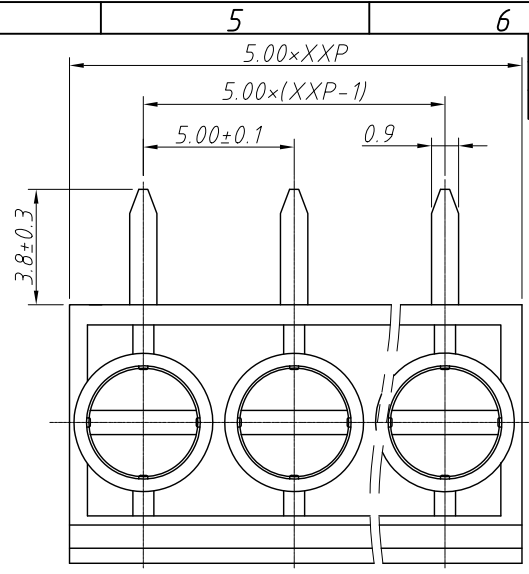


Recommended PCB Layout



SECTION: A-A

**Material and other:**  
 Housing: PA66, UL 94 V-0  
 Pin header: Copper Alloy, Sn Plated  
 Screw/Torque: Steel, M2.5 Zn Plated / 0.4 N.m Max.  
 Contact resistance: 20mΩ  
 Insulation resistance: 500MΩ / DC500V  
 Strip Length: 6-7mm  
 Temp. Range: -40°C ~ +120°C Max Soldering: +250°C, for 5 Sec



| REV | SYM      | Revision Record     | Appr. | Date       |
|-----|----------|---------------------|-------|------------|
| V0  | KLS02006 | New Version Release | WuHao | 2024-09-20 |

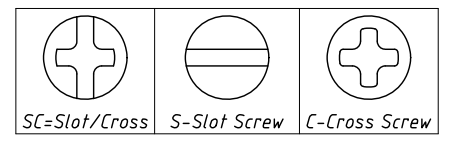
  

| Electrical Characteristics | UL             | IEC                |
|----------------------------|----------------|--------------------|
| Rated Voltage              | 300V           | 250V               |
| Rated Current              | 15A            | 22A                |
| Withstand Voltage          | AC2000V / 1min | ---                |
| Wire Range                 | 12~22 AWG      | 2.5mm <sup>2</sup> |

Order Information

L-KLS2-168R-5.00-XXP-X X

RoHS Terminal Block  
 Pitch: 5.00mm  
 No.: Of (02~24) Pin  
 Color:  
 1=Gray 2=Blue 3=Black  
 4=Green 5=Orange 6=Red  
 7=Transp 8=Yellow 9=White  
 Screw: SC=Slot/Cross  
 S-Slot Screw C-Cross Screw



| ANGLE TOLERANCE   | PROJECTION | Description:                               |          |                         |
|-------------------|------------|--|----------|-------------------------|
| ±3°               |            | Pitch 5.00mm Screw fixation Terminal Block |          |                         |
| GENERAL TOLERANCE | UNITS      | mm   | KLS P/N: | L-KLS2-168R-5.00-XXP-XX |
| 0~30              | ±0.50      | SHEET SIZE                                 | A4       |                         |
| 30~60             | ±0.75      | Draw:                                      | WuHao    | 2024-09-20              |
| 60~90             | ±1.00      | Check:                                     | Daniel   | 2024-09-20              |

