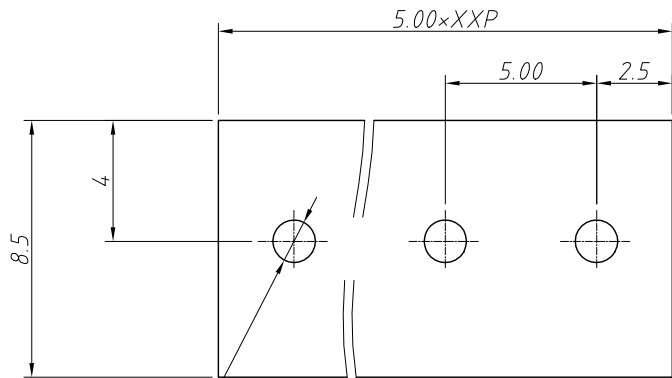
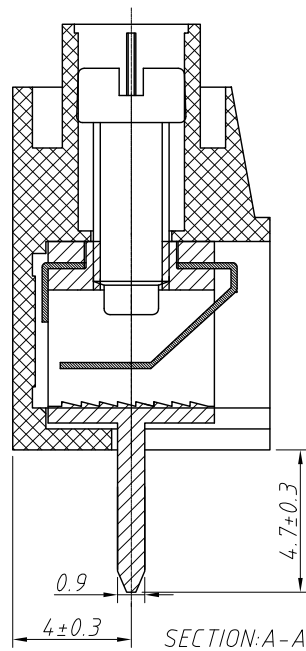


1 RoHS Compliance

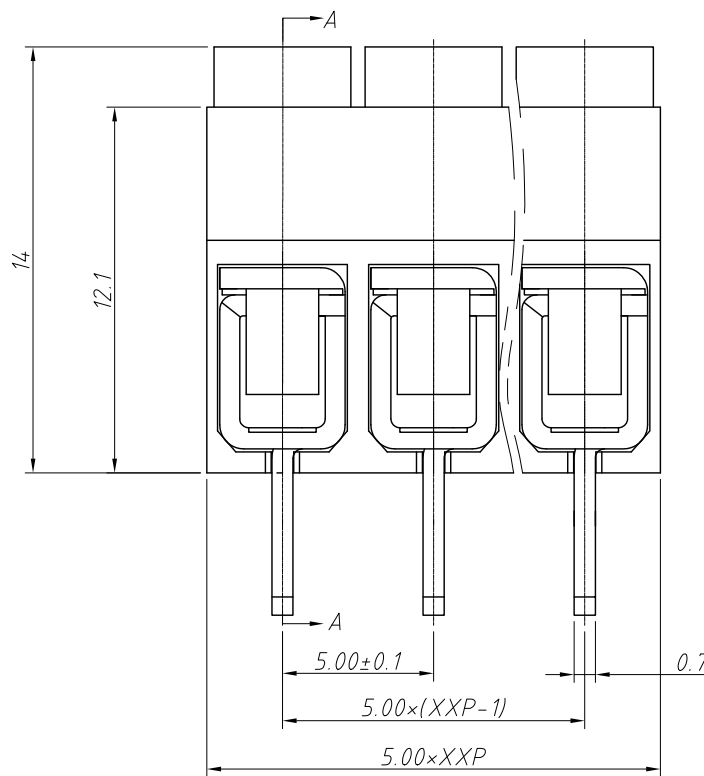
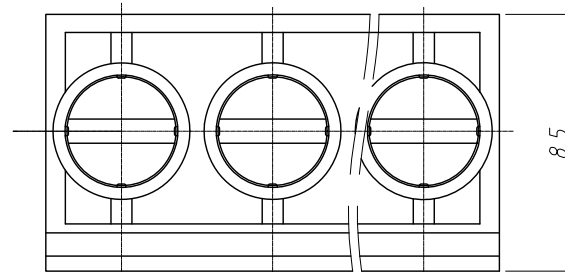


1.4



SECTION: A-A

Material and other:
 Housing: PA66, UL 94 V-0
 Pin header: Brass, Tin Plated
 Screw/Torque: Steel, M2.5 Zn Plated / 0.4 N.m Max.
 Contact resistance: 20mΩ
 Insulation resistance: 500MΩ/DC500V
 Strip Length: 6-7mm
 Temp. Range: -40°C ~ +105°C Max Soldering: +250°C, for 5 Sec



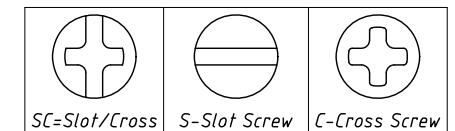
REV	SYM	Revision Record	Appr.	Date
V0	KLS02006	New Version Release	WuHao	2024-09-19

Electrical Characteristics	UL	IEC
Rated Voltage	300V	250V
Rated Current	15A	22A
Withstand Voltage	AC2000V / 1min	---
Wire Range	12~22 AWG	2.5mm ²

Order Information

L-KLS2-168-5.00-XXP-X X

RoHS
 Terminal Block
 Pitch: 5.00mm
 No.: Of (02~24) Pin
 Color:
 1=Gray 2=Blue 3=Black
 4=Green 5=Orange 6=Red
 7=Transp 8=Yellow 9=White
 Screw: SC=Slot/Cross
 S-Slot Screw C-Cross Screw



ANGLE TOLERANCE	PROJECTION	Description:
±3°		Pitch 5.00mm Screw fixation Terminal Block
GENERAL TOLERANCE	UNITS	KLS P/N:
0~30 ±0.50	SHEET SIZE	A4
30~60 ±0.75	Draw:	WuHao 2024-09-19
60~90 ±1.00	Check:	Daniel 2024-09-19



NingBo KLS ELECTRONIC CO.,LTD.