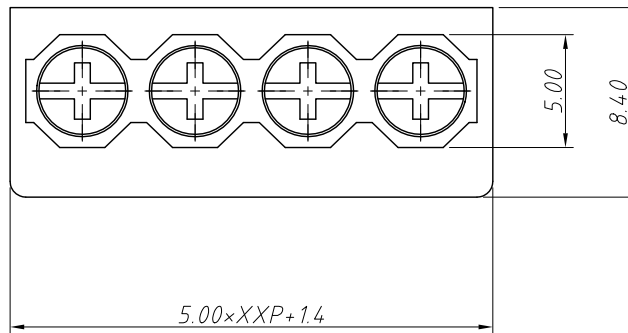
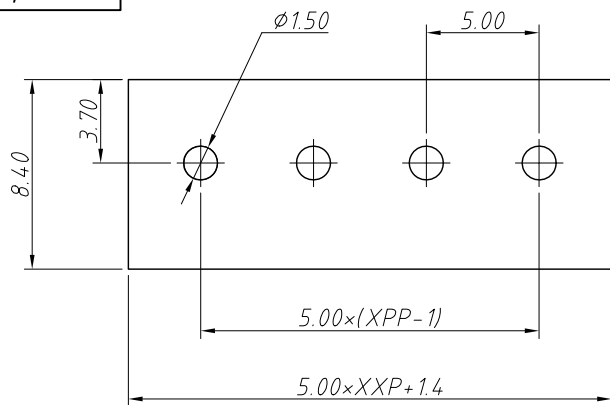


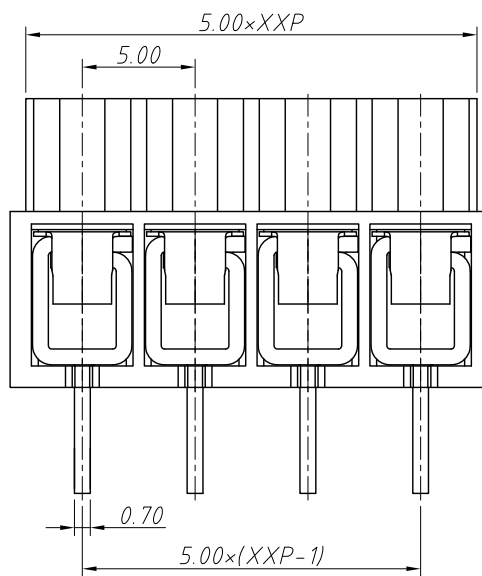
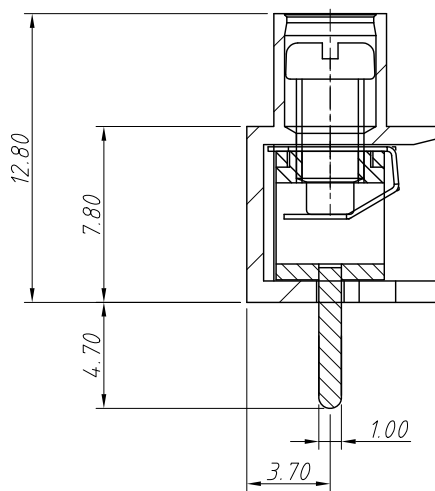
1 RoHS Compliance

REV	SYM	Revision Record	Appr.	Date
V0	KLS02006	New Version Release	WuHao	2024-09-19



Electrical Characteristics	UL	IEC
Rated Voltage	300V	250V
Rated Current	15A	24A
Withstand Voltage	AC2000V / 1min	---
Wire Range	14 ~ 26 AWG	2.5mm ²

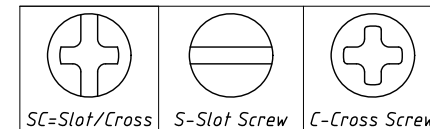
Recommended PCB Layout



Order Information

L-KLS2-166-5.00-XXP-X X

RoHS
Terminal Block
Pitch: 5.00mm
No.: Of (02 ~ 24) Pin
Color:
1=Gray 2=Blue 3=Black
4=Green 5=Orange 6=Red
7=Transp 8=Yellow 9=White
Screw: SC=Slot/Cross
S-Slot Screw C-Cross Screw



Material and other:
Housing: PA66, UL 94V-0
Pin header: Copper Alloy, Sn Plated Shrapnal: Stainless Steel
Screw/Torque: Steel, M3.0 Zn Plated / 0.4N.m Max.
Contact resistance: 20mΩ
Insulation resistance: 500MΩ/DC500V
Steip Length: 5-6mm
Temp. Range: -40°C ~ +105°C Max Soldering: +250°C, for 5 Sec

ANGLE TOLERANCE	PROJECTION	Description:
±3°		Pitch 5.00mm Screw fixation Terminal Block
GENERAL TOLERANCE	UNITS	mm
0 ~ 30	±0.50	SHEET SIZE
30 ~ 60	±0.75	A4
60 ~ 90	±1.00	Draw: WuHao 2024-09-19
	Check: Daniel 2024-09-19	L-KLS2-166-5.00-XXP-XX



NingBo KLS ELECTRONIC CO., L TD.