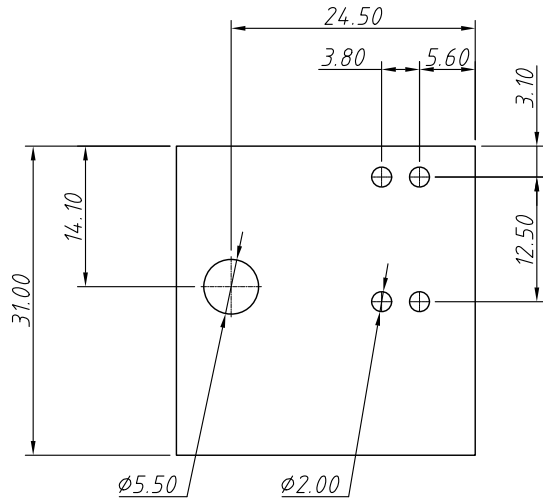
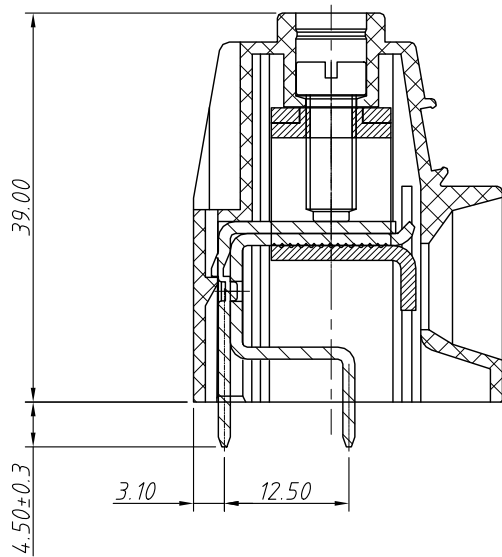


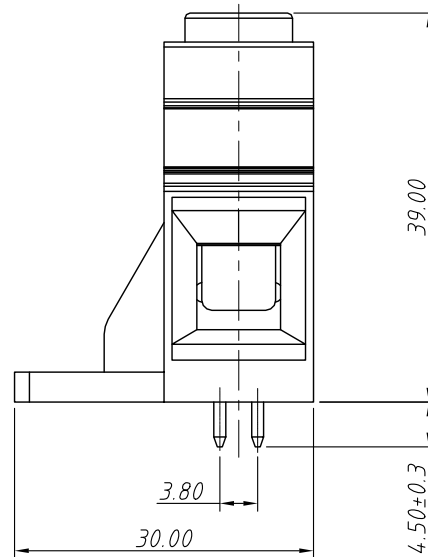
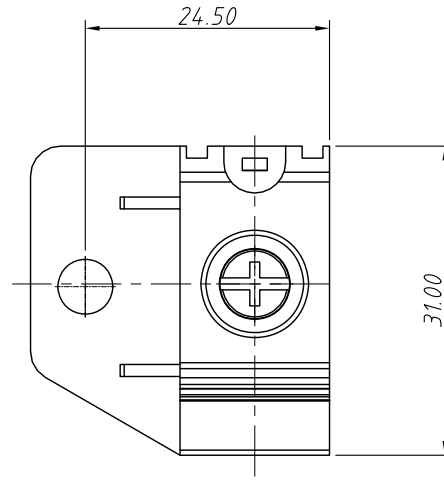
1
RoHS Compliance



Recommended PCB Layout



SECTION: A-A



REV	SYM	Revision Record	Appr.	Date
V0	KLS02006	New Version Release	WuHao	2024-09-19

Electrical Characteristics	UL	IEC
Rated Voltage	600V	1000V
Rated Current	115A	125A
Withstand Voltage	2200V / 1 min	8.0KV
Wire Range	2~20 AWG	0.5-35mm ²

Material and other:

Housing:PA66,UL 94 V-0

Pin header:Copper Alloy,Sn Plated

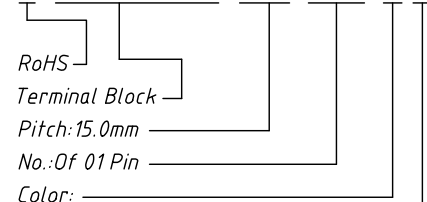
Screw/Torque:Steel,M5.0 Zn Plated /2.0N.m Max.

Steip Length:17-18mm

Operating temperatur:-40°C ~ +105°C

Order Information

L-KLS2-170ML-15.0-XXP-XX



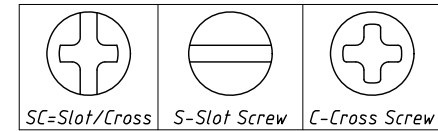
1=Gray 2=Blue 3=Black

4=Green 5=Orange 6=Red

7=Transp 8=Yellow 9=White

Screw:SC=Slot/Cross

S-Slot Screw C-Cross Screw



ANGLE TOLERANCE	PROJECTION	Description:
±3°		Pitch 15.0mm Screw fixation Terminal Block
GENERAL TOLERANCE	UNITS	mm
0~30 ±0.50	SHEET SIZE	A4
30~60 ±0.75	Draw:	WuHao 2024-09-20
60~90 ±1.00	Check:	Daniel 2024-09-20
		KLS NingBo KLS ELECTRONIC CO.,L TD.