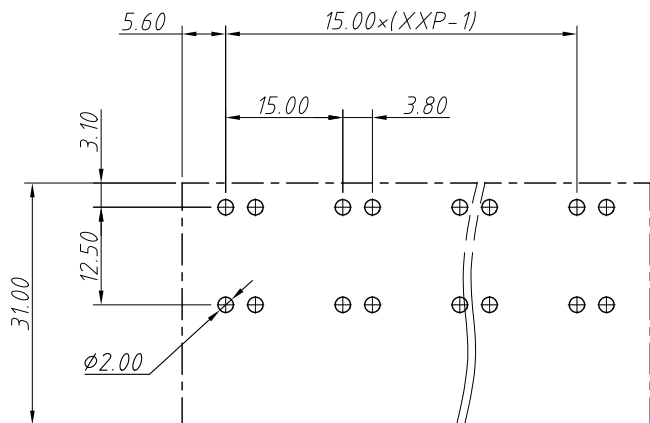
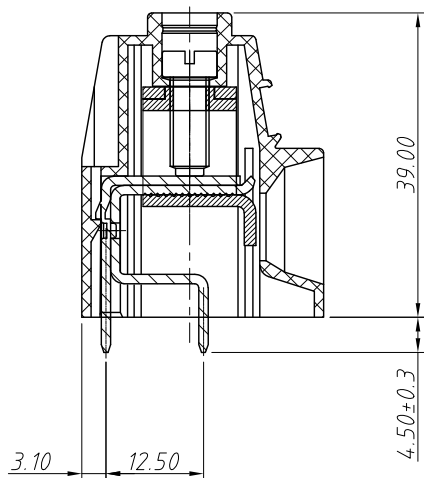
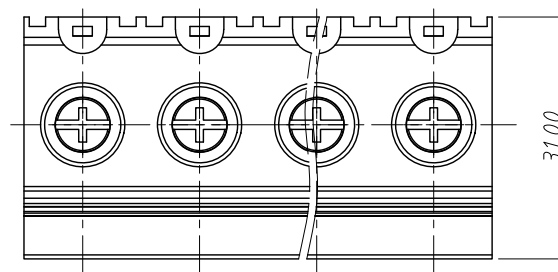


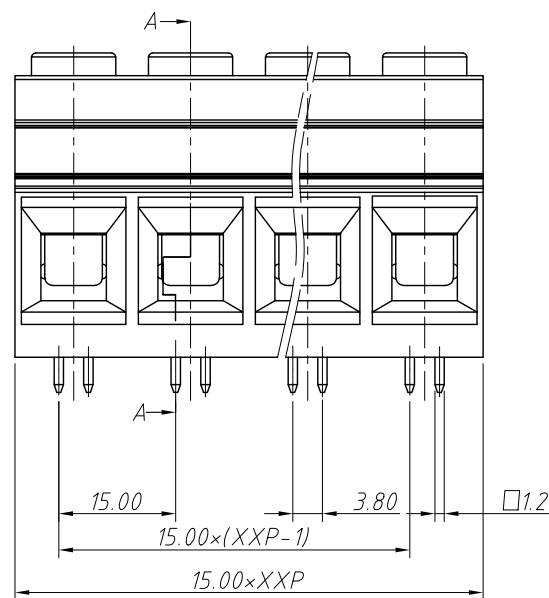
RoHS Compliance



Recommended PCB Layout



SECTION: A-A



REV	SYM	Revision Record	Appr.	Date
V0	KLS02006	New Version Release	WuHao	2024-09-19

Electrical Characteristics	UL	IEC
Rated Voltage	600V	1000V
Rated Current	115A	125A
Withstand Voltage	2200V / 1 min	8.0KV
Wire Range	2~20 AWG	0.5-35mm <sup>2</sup>

Material and other:

Housing: PA66, UL 94V-0

Pin header: Copper Alloy, Sn Plated

Screw/Torque: Steel, M5.0/2.0N.m Max.

Steip Length: 17-18mm

Operating temperatur: -40°C ~ +105°C

Order Information

L-KLS2-170-15.0-XXP-X X

RoHS

Terminal Block

Pitch: 15.0mm

No.: Of (01~12) Pin

Color:

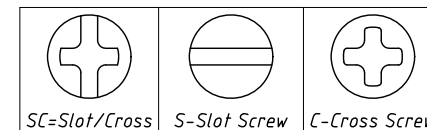
1=Gray 2=Blue 3=Black

4=Green 5=Orange 6=Red

7=Transp 8=Yellow 9=White

Screw: SC=Slot/Cross

S-Slot Screw C-Cross Screw



ANGLE TOLERANCE	PROJECTION	Description:
±3°		Pitch 15.0mm Screw fixation Terminal Block
GENERAL TOLERANCE	UNITS	mm
0~30 ±0.50	SHEET SIZE	A4
30~60 ±0.75	Draw:	WuHao 2024-09-19
60~90 ±1.00	Check:	Daniel 2024-09-19
KLS P/N:		L-KLS2-170-15.0-XXP-XX
KLS ELECTRONIC		NingBo KLS ELECTRONIC CO.,L TD.