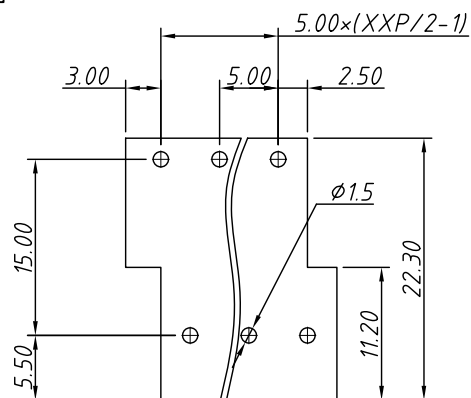
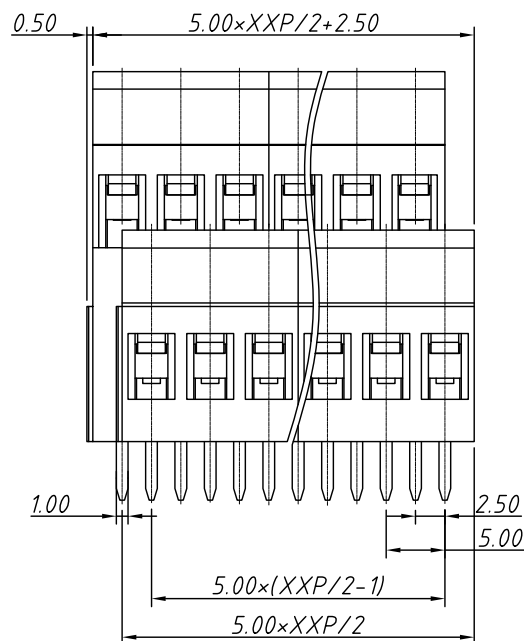
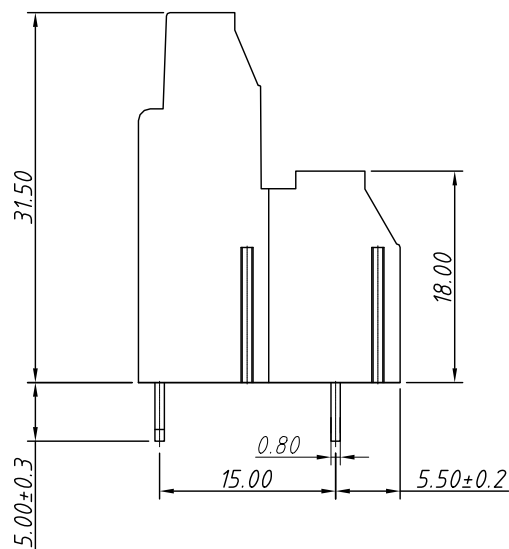
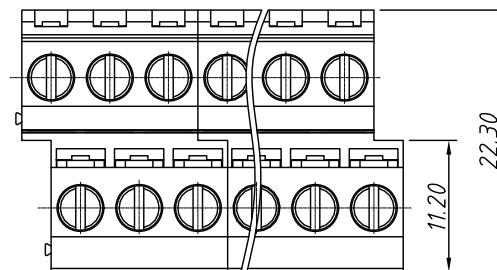


1 RoHS Compliance



Recommended PCB Layout



REV	SYM	Revision Record	Appr.	Date
V0	KLS02006	New Version Release	WuHao	2024-09-19

Electrical Characteristics	UL	IEC
Rated Voltage	300V	250V
Rated Current	20A	20A
Withstand Voltage	1600V / 1 min	4.0KV
Wire Range	12~26 AWG	0.5-2.5mm ²

Order Information

L-KLS2-130A-5.00-XXP-XX

RoHS

Terminal Block

Pitch:5.0mm

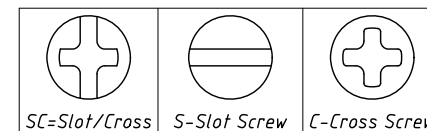
No.:Of (04~48) Pin

Color:

- 1=Gray 2=Blue 3=Black
- 4=Green 5=Orange 6=Red
- 7=Transp 8=Yellow 9=White

Screw:SC=Slot/Cross

S-Slot Screw C-Cross Screw

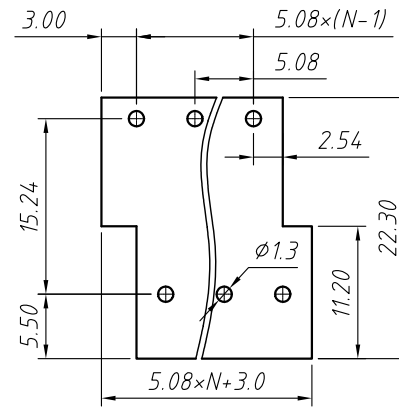
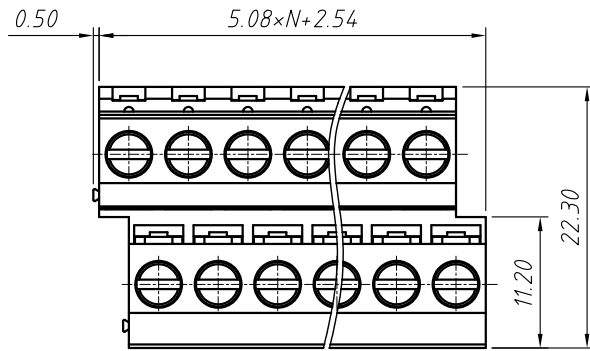


Material and other:
 Housing:PA66,UL 94V-0
 Pin header:Copper Alloy,Sn Plated
 Cage:Copper Alloy,Ni Plated
 Screw/Torque:Steel,M3.0 Zn Plated /0.5N.m Max.
 Steip Length:6-7mm
 Soldering Temperature:260°C/5S Operating temperatur:-40°C ~ +105°C

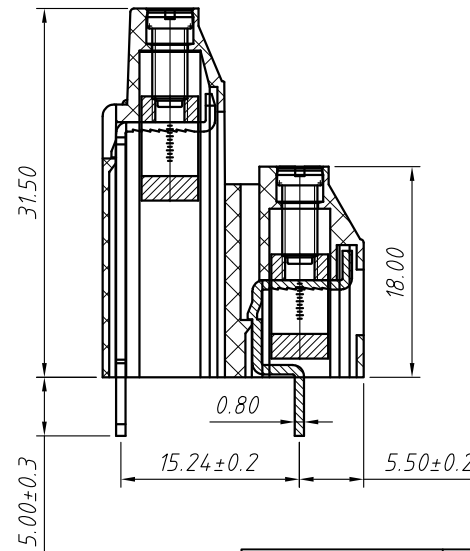
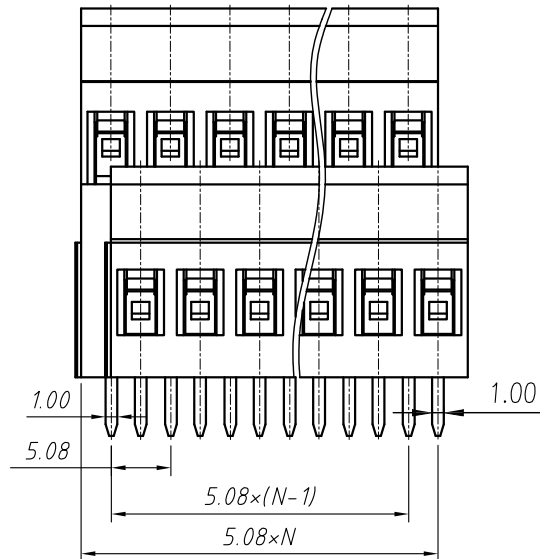
ANGLE TOLERANCE	PROJECTION	Description:
±3°		Pitch 5.00mm Screw fixation Terminal Block
GENERAL TOLERANCE	UNITS	mm
0~30	±0.50	SHEET SIZE
30~60	±0.75	Draw:
60~90	±1.00	Check:
		KLS P/N:
		L-KLS2-130A-5.00-XXP-XX
		WuHao 2024-09-19
		Daniel 2024-09-19



NingBo KLS ELECTRONIC CO.,L TD.



PCB LAYOUT



Material

Housing: PA66, UL94V-0
 Clamp: Brass, Ni plated
 Pin Header: Brass, Tin plated
 Screw: M3.0, steel Zinc plated

Electrical

Rated voltage: 300V
 Rated current: 20A
 Contact Resistance: 20 mΩ
 Insulation resistance: 500MΩ/DC500V
 Withstand voltage: AC2000V / 1 min
 Wire Range: 26~12AWG 2.5mm²

Mechanical

Temp. Range: -40 °C ~ +105 °C
 Strip length: 6~7mm
 Torque: 0.5Nm (4.5Lb.in)

Order Information

L-KLS2-130A-5.08-XXP-4S00

RoHS
 Terminal Block
 Pitch
 No. of Pole
 Color: 4- Green
 Screw: S-Slot Screw
 Product Code: 00~99

GENERAL TOLERANCE		ANGLE TOLERANCE		Description:	
X. ±0.60		X. ±5°		Screw CONN TERM Block 5.08mm	
.X ±0.38		.X ±3°		KLS P/N:	KLS2-130A-5.08-XXP-4S
.XX ±0.25		.XX ±2°			
Draw by	2015-09-01	PROJECTION		NingBo KLS ELECTRONIC CO.,L TD.	
Check by	2015-09-15	UNITS	mm		
SCALE		SHEET SIZE	A4		