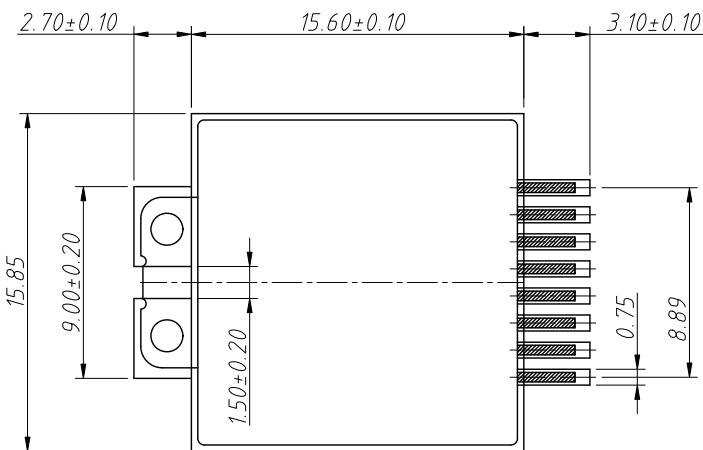
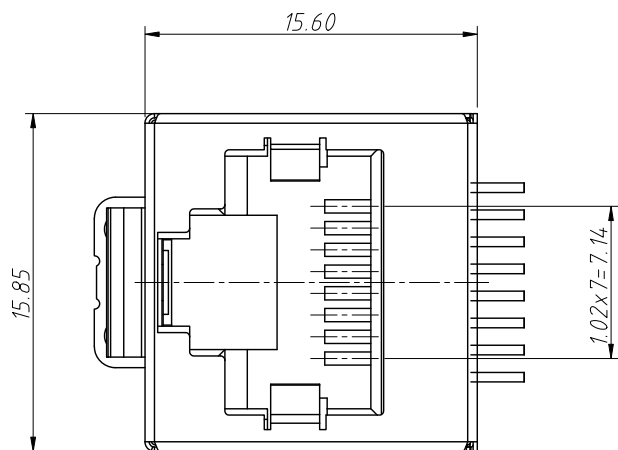


1 RoHS Compliance

REV	SYM	Revision Record	Appr.	Date
V0	KLS12003	New Version Release	Song	2024-12-16



Recommended PCB Layout
Tolerance: ±0.05mm

Material:

Housing: High Temp Thermoplastic, Black, UL 94V-0

Contacts: Phosphor Bronze,

Gold Plating Over Nickel On Contact Area

Tin Plating Over Nickel On Solder Area

Shielded: Brass, Nickel Plating

Electric:

Voltage Rating: 125 VAC Rms

Current Rating: 1.5 Amp

Contact Resistance: 40 Milliohms Max

Insulation Resistance: 1000 Megohms Min @500 VDC

Dielectric Strength: 1000 VAC Rms 60Hz, 1Min

Operating Life: 750 Cycles Min

Storage TEMP.: -40°C ~ +85°C

Operation TEMP.: -20°C ~ +75°C

Order Information:

L-KLS12-SMT05-8P8C-W-01-R

L: RoHS

SMT series

Point No: 8P8C

Shield Code: W-With Shield

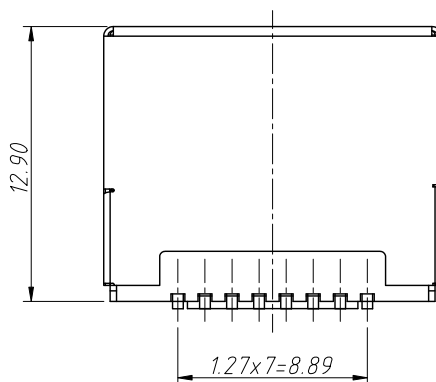
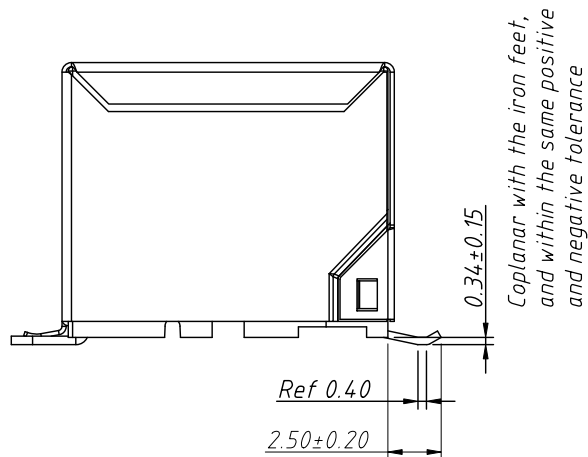
Plating:

01: 1u" Gold 02: 3u" Gold

03: 6u" Gold 04: 15u" Gold

05: 30u" Gold

Packing: R-Reel P-Blister Tray



ANGLE TOLERANCE	PROJECTION	Description:	RJ45-8P8C SMD Jack Vertical, With Shell
±3°			
GENERAL TOLERANCE	UNITS	mm	KLS P/N:
.x ±0.30	SHEET SIZE	A4	L-KLS12-SMT05-8P8C-W-XX-X
.xx ±0.20	Draw:	Song	2024-12-16
.xxx ±0.10	Check:	Daniel	2024-12-16



NingBo KLS ELECTRONIC CO.,L TD.