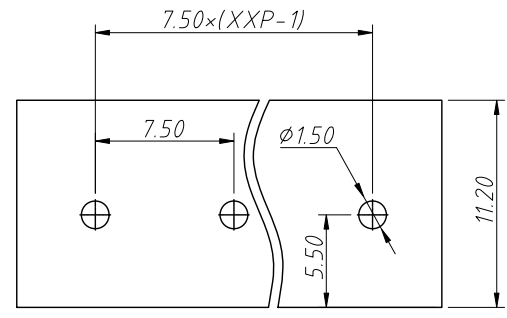
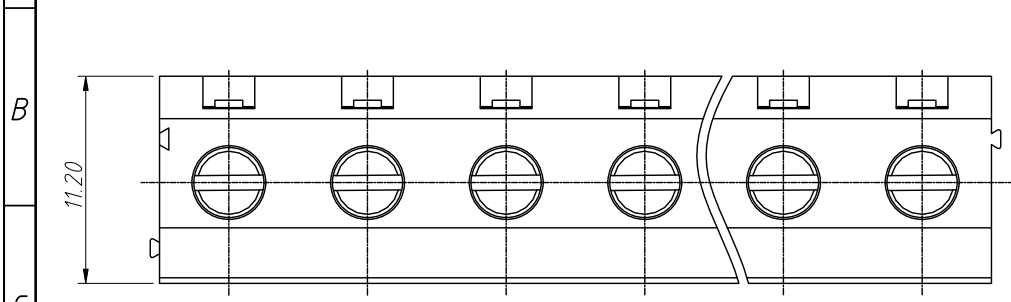
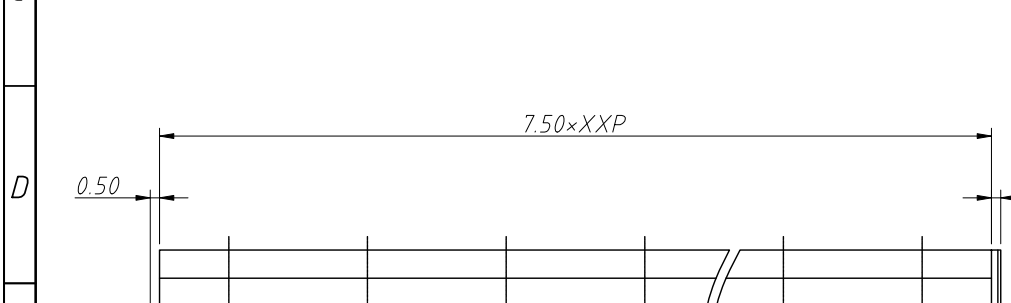


1
RoHS Compliance

2	3	4	5	6	7	8
REV	SYM	Revision Record		Appr.	Date	
V0	KLS02006	New Version Release		Song	2024-11-13	

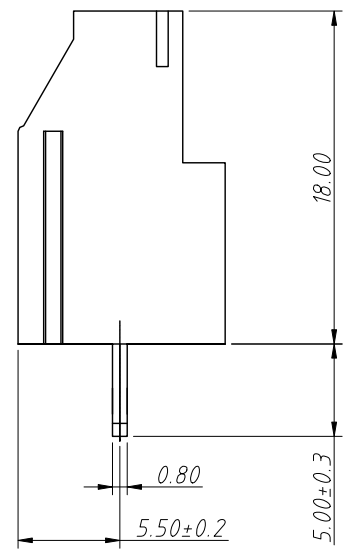
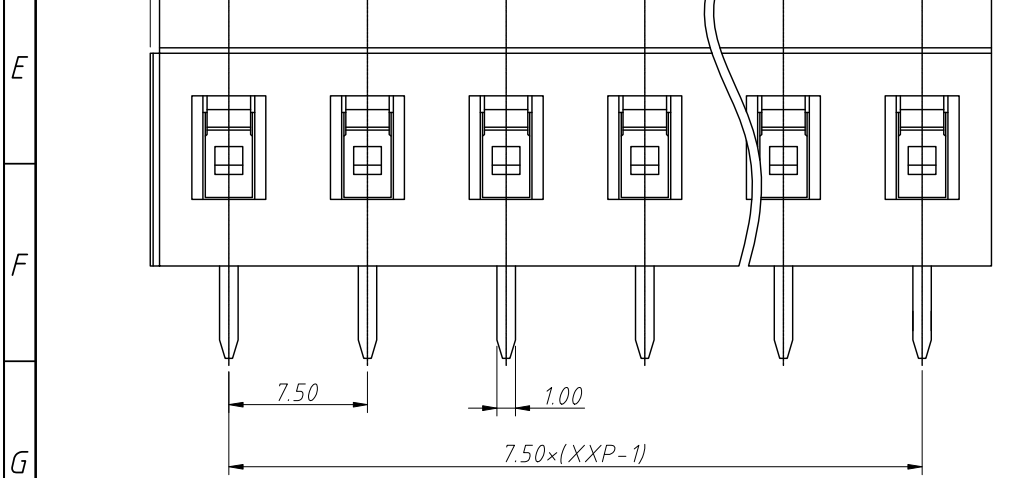


Electrical Characteristics	UL	IEC
Rated Voltage	300V	450V
Rated Current	20A	24A
Withstand Voltage	1600V/1min	6.0KV
Wire Range	26~12 AWG	0.5~2.5 mm ²



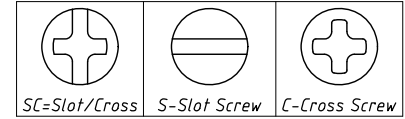
Recommended PCB Layout

Material and other:
Housing:PA66, UL94V-0
Pin Header:Copper Alloy,Sn Plated
Screw/Torque:M3.0/0.5N.m
Stripping Length:6~7mm
Operating Temperature:-40°C ~ +105°C
Soldering Temperature:260°C /5S



Order Information
L-KLS2-130-7.50-XXP-X X

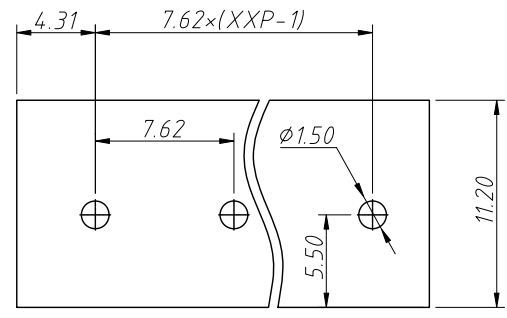
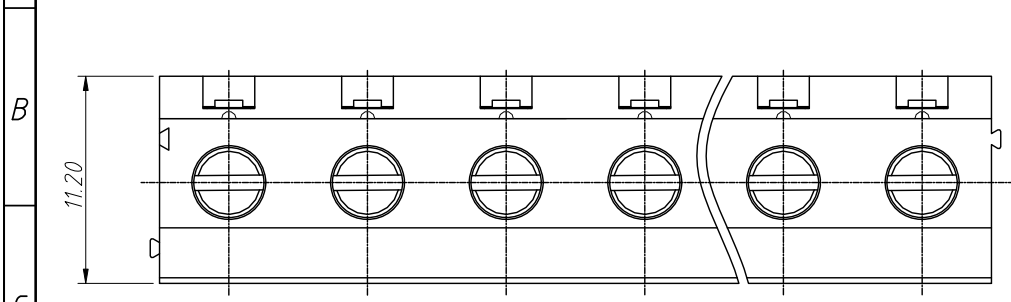
RoHS
Terminal Block
Pitch:7.50mm
No.:Of (02~24) Pin
Color:
1=Gray 2=Blue 3=Black
4=Green 5=Orange 6=Red
7=Transp 8=Yellow 9=White
Screw:SC=Slot/Cross
S-Slot Screw C-Cross Screw



ANGLE TOLERANCE	PROJECTION	Description:				
±3°		Pitch 7.50mm Terminal Block				
GENERAL TOLERANCE	UNITS	mm	KLS P/N:	L-KLS2-130-7.50-XXP-XX		
0~30	±0.50	SHEET SIZE	A4	NingBo KLS ELECTRONIC CO.,L TD.		
30~60	±0.75	Draw:	Song			2024-11-13
60~90	±1.00	Check:	Daniel			2024-11-13

1
RoHS Compliance

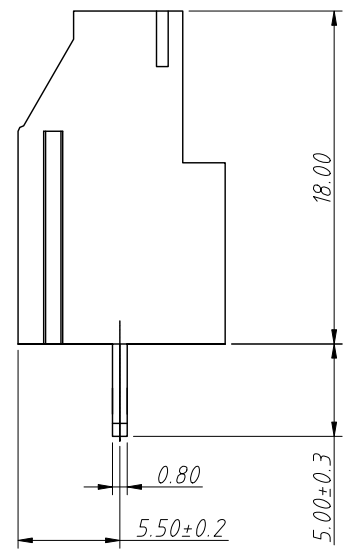
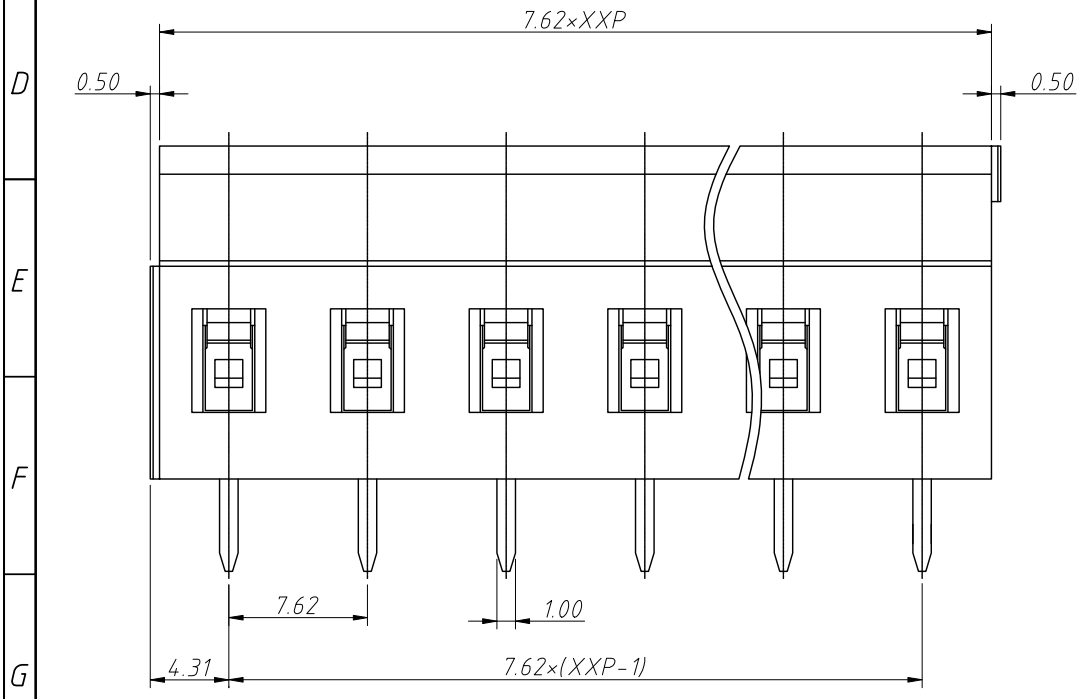
2	3	4	5	6	7	8
REV	SYM	Revision Record		Appr.	Date	
V0	KLS02006	New Version Release		Song	2024-11-13	



Recommended PCB Layout

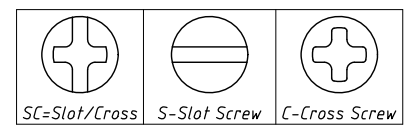
Electrical Characteristics	UL	IEC
Rated Voltage	300V	450V
Rated Current	20A	24A
Withstand Voltage	1600V/1min	6.0KV
Wire Range	26~12 AWG	0.5~2.5 mm ²

Material and other:
 Housing:PA66, UL94V-0
 Pin Header:Copper Alloy,Sn Plated
 Cage: Copper Alloy,Ni Plated
 Screw/Torque:Steel,Zn Plated,M3.0/0.5N.m
 Stripping Length:6~7mm
 Operating Temperature:-40°C ~ +105°C
 Soldering Temperature:260°C /5S



Order Information
 L-KLS2-130-7.62-XXP-X X

RoHS
 Terminal Block
 Pitch:7.62mm
 No.:Of (02~18) Pin
 Color:
 1=Gray 2=Blue 3=Black
 4=Green 5=Orange 6=Red
 7=Transp 8=Yellow 9=White
 Screw:SC=Slot/Cross
 S-Slot Screw C-Cross Screw



ANGLE TOLERANCE	PROJECTION	Description:			
±3°		Pitch 7.62mm Terminal Block			
GENERAL TOLERANCE	UNITS	mm	KLS P/N:	L-KLS2-130-7.62-XXP-XX	
0~30	±0.50	SHEET SIZE	A4	NingBo KLS ELECTRONIC CO.,L TD.	
30~60	±0.75	Draw:	Song		
60~90	±1.00	Check:	Daniel		