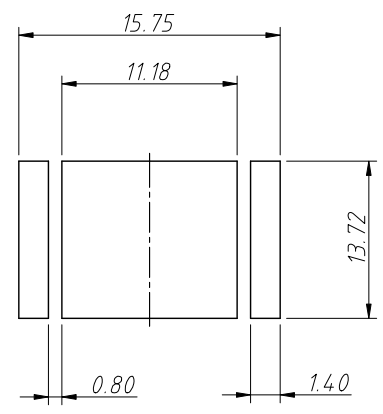
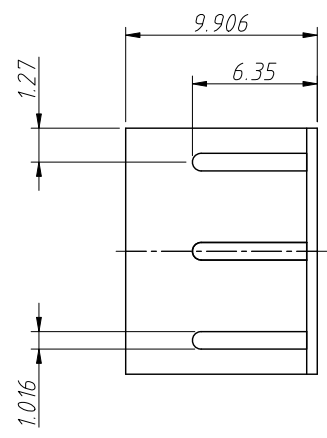
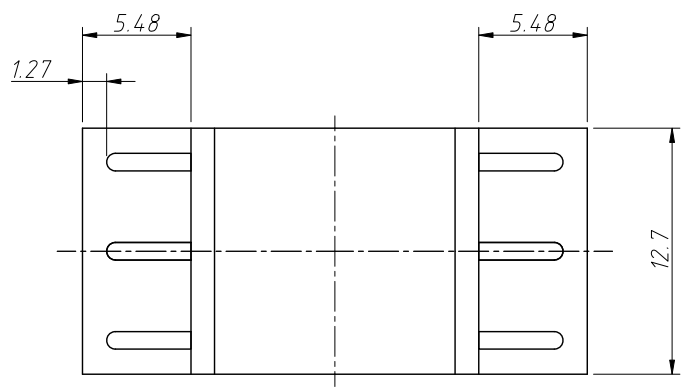
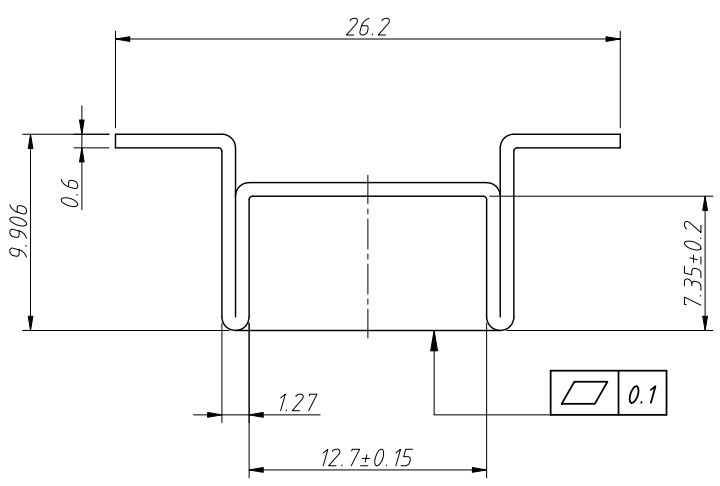


1
RoHS Compliance

6	7	8		
REV	SYM	Revision Record	Appr.	Date
V0	KLS20103	New Version Release	Song	2024-12-11



Recommended PCB Layout
Tolerance: ±0.05mm



Material: Copper, T=0.6mm, Matte Tin

ANGLE TOLERANCE	PROJECTION	Description:	Copper Radiator	
±3°				
GENERAL TOLERANCE	UNITS	mm	KLS P/N:	L-KLS21-C1002-MT-B
.x ±0.30	SHEET SIZE	A4		
.xx ±0.20	Draw:	Song	2024-12-11	NingBo KLS ELECTRONIC CO.,L TD.
.xxx ±0.10	Check:	Daniel	2024-12-11	