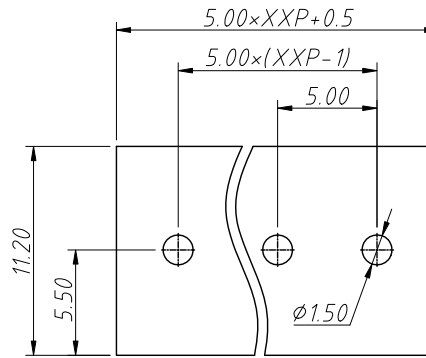
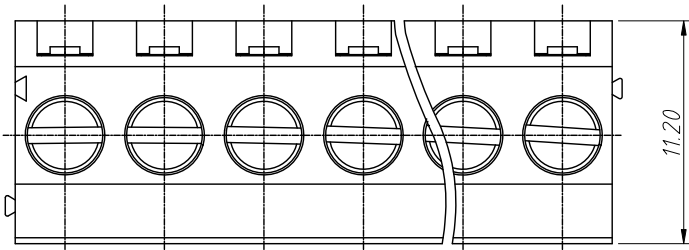
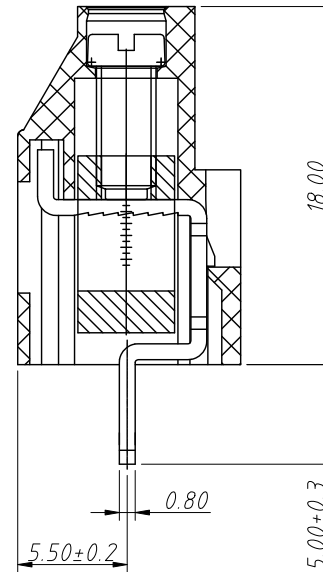
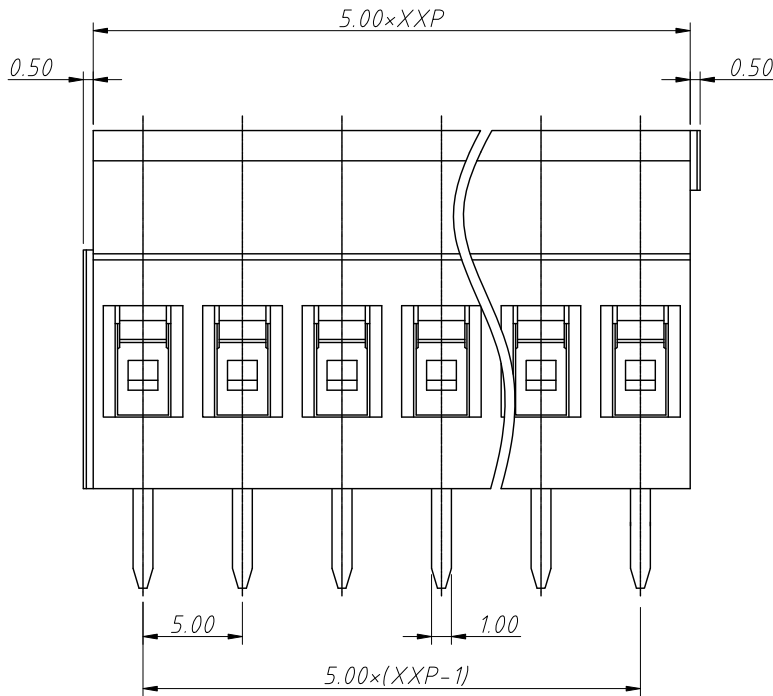


RoHS Compliance



Recommended PCB Layout



REV	SYM	Revision Record	Appr.	Date
V0	KLS02006	New Version Release	Song	2024-11-13

Electrical Characteristics	UL	IEC
Rated Voltage	300V	250V
Rated Current	20A	24A
Withstand Voltage	AC2000V/1 min	---
Wire Range	26 ~ 12 AWG	2.5 mm <sup>2</sup>

Material and other:

Housing: PA66, UL 94V-0

Pin Header: Copper Alloy, Sn Plated

Screw/Torque: Steel, Zn Plated, M3.0/0.5N.m

Contact Resistance: 20mΩ Max

Insulation Resistance: 500MΩ / DC500V Min

Temp. Range: -40°C ~ +105°C

MAX Soldering: 250°C For 5S

Order Information

L-KLS2-130-5.00-XXP-X X

RoHS

Terminal Block

Pitch: 5.00mm

No.: Of (02 ~ 24) Pin

Color:

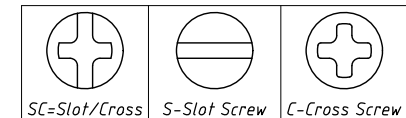
1=Gray 2=Blue 3=Black

4=Green 5=Orange 6=Red

7=Transp 8=Yellow 9=White

Screw: SC=Slot/Cross

S-Slot Screw C-Cross Screw



ANGLE TOLERANCE	PROJECTION	Description:	Pitch 5.00mm Terminal Block	
±3°				
GENERAL TOLERANCE	UNITS	mm	KLS P/N:	L-KLS2-130-5.00-XXP-XX
0 ~ 30	±0.50	SHEET SIZE	A4	
30 ~ 60	±0.75	Draw:	Song	2024-11-13
60 ~ 90	±1.00	Check:	Daniel	2024-11-13



NingBo KLS ELECTRONIC CO.,LTD.

RoHS Compliance

REV	SYM	Revision Record	Appr.	Date
V0	KLS02006	New Version Release	Song	2024-11-13

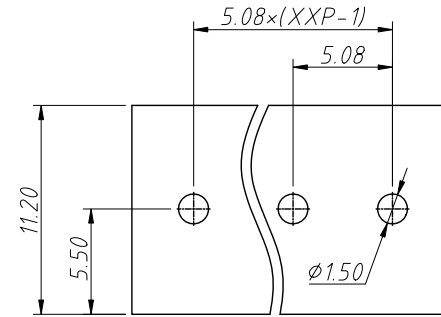
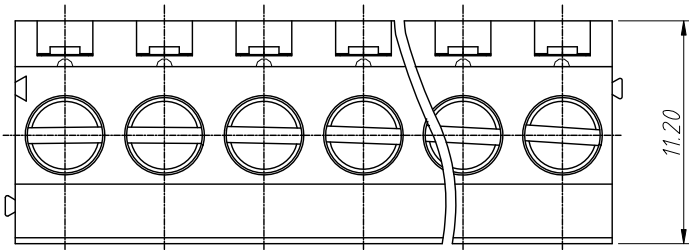
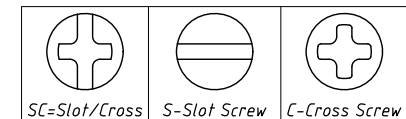
Electrical Characteristics	UL	IEC
Rated Voltage	300V	250V
Rated Current	20A	24A
Withstand Voltage	1600V/1 min	4.0KV
Wire Range	26~12 AWG	0.5~2.5 mm <sup>2</sup>

Material and other:  
 Housing:PA66, UL94V-0  
 Pin Header:Copper Alloy,Sn Plated  
 Cage: Copper Alloy,Ni Plated  
 Screw/Torque:Steel,Zn Plated,M3.0/0.5N.m  
 Stripping Length:6~7mm  
 Operating Temperature:-40°C ~ +105°C  
 Soldering Temperature:260°C /5S

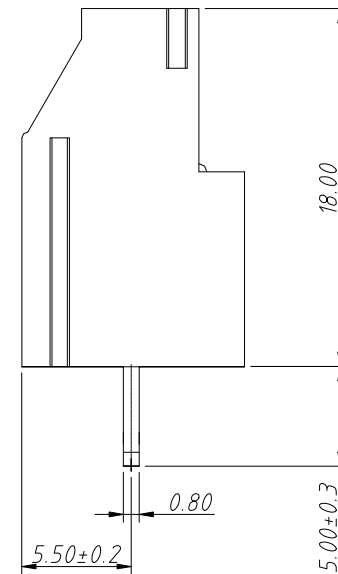
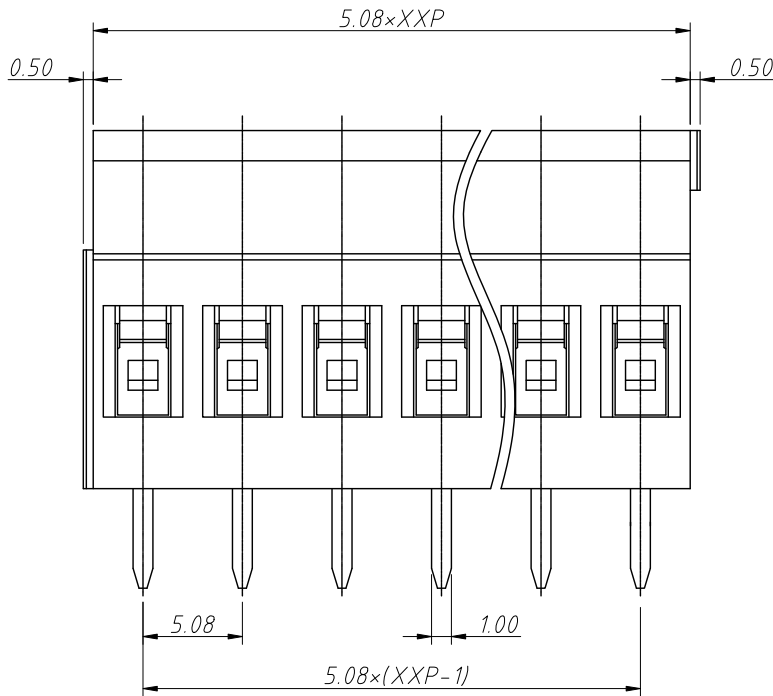
Order Information

L-KLS2-130-5.08-XXP-X X

RoHS  
 Terminal Block  
 Pitch:5.08mm  
 No.:Of (02~24) Pin  
 Color:  
 1=Gray    2=Blue    3=Black  
 4=Green    5=Orange    6=Red  
 7=Transp    8=Yellow    9=White  
 Screw:SC=Slot/Cross  
 S-Slot Screw    C-Cross Screw



Recommended PCB Layout



ANGLE TOLERANCE	PROJECTION	Description:	Pitch 5.08mm Terminal Block	
±3°				
GENERAL TOLERANCE	UNITS	mm	KLS P/N:	L-KLS2-130-5.08-XXP-XX
0~30	±0.50	SHEET SIZE	A4	
30~60	±0.75	Draw:	Song	2024-11-13
60~90	±1.00	Check:	Daniel	2024-11-13



NingBo KLS ELECTRONIC CO.,LTD.