

1 RoHS Compliance

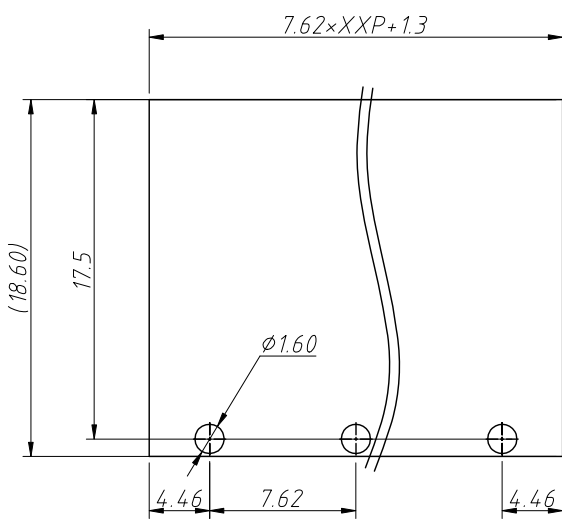
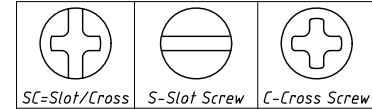
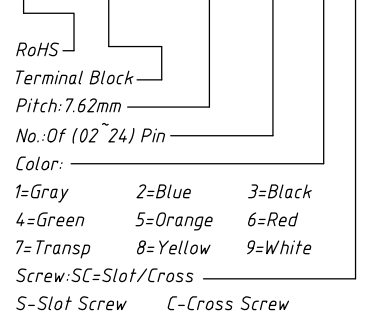
REV	SYM	Revision Record	Appr.	Date
V0	KLS02006	New Version Release	Song	2024-11-13

Electrical Characteristics	UL	IEC
Rated Voltage	300V	250V
Rated Current	16A	24A
Withstand Voltage	AC2000V/1 min	---
Wire Range	26~12 AWG	2.5 mm ²

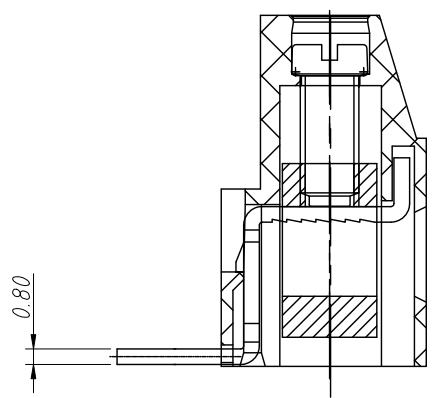
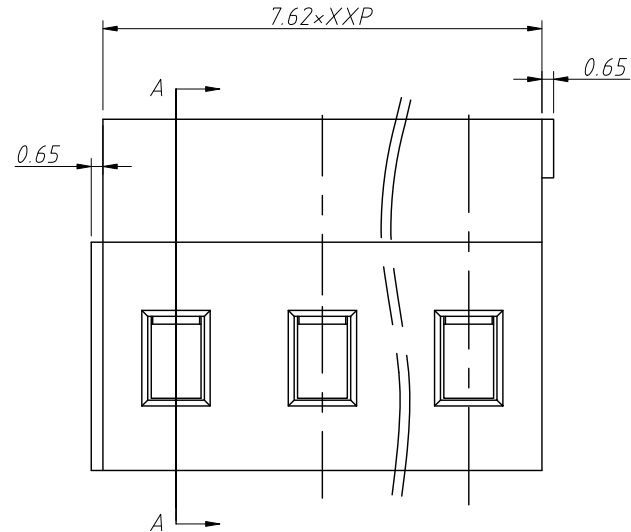
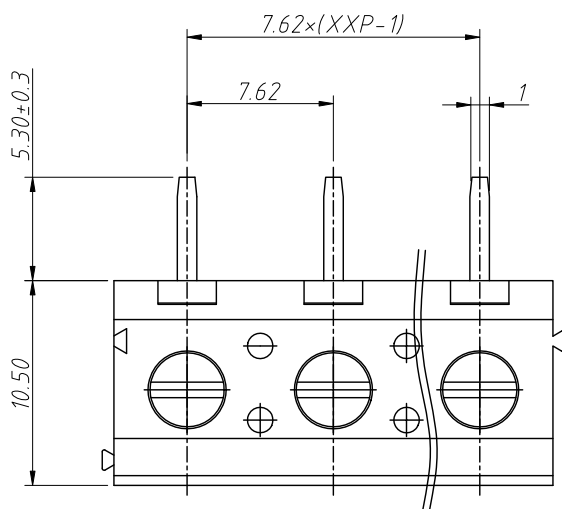
Material and other:
 Housing: PA66, UL 94 V-0
 Pin Header: Brass, Tin Plated
 Cage: Brass, Ni Plated
 Screw/Torque: Steel, Zn Plated, M3.0/0.5N.m
 Contact Resistance: 20mΩ Max
 Insulation Resistance: 500MΩ/DC500V Min
 Stripping Length: 6-7mm
 Temp. Range: -40°C ~ +105°C
 MAX Soldering: 250°C For 5S

Order Information

L-KLS2-129R-7.62-XXP-X X



Recommended PCB Layout



SECTION A-A

ANGLE TOLERANCE	PROJECTION	Description:	Pitch 7.62mm Terminal Block	
±3°				
GENERAL TOLERANCE	UNITS	mm	KLS P/N:	L-KLS2-129R-7.62-XXP-XX
0~30	±0.50	SHEET SIZE	A4	
30~60	±0.75	Draw:	Song	2024-11-13
60~90	±1.00	Check:	Daniel	2024-11-13

