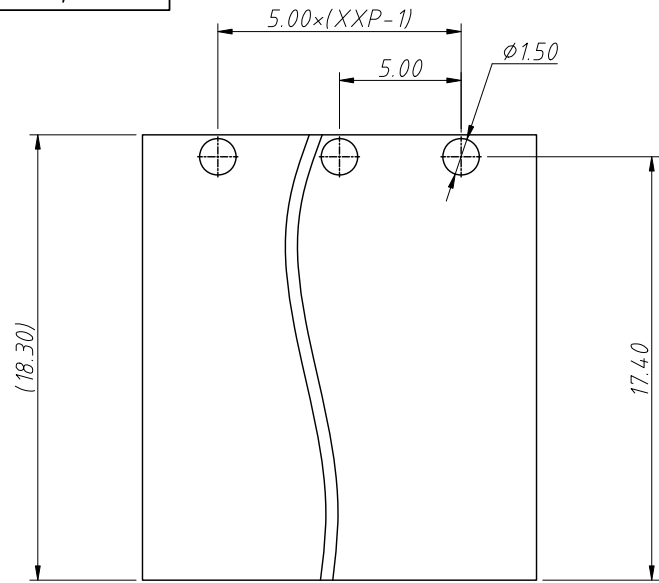
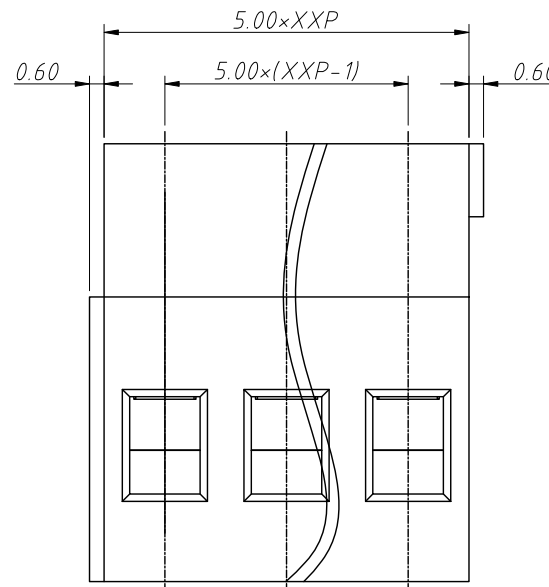
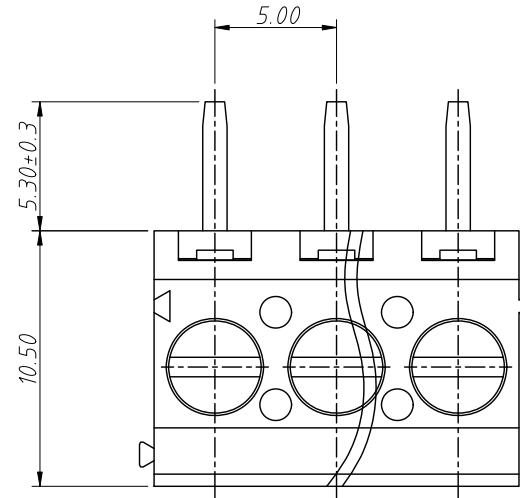


RoHS Compliance

REV	SYM	Revision Record	Appr.	Date
V0	KLS02006	New Version Release	Song	2024-11-13



Recommended PCB Layout



Electrical Characteristics	UL	IEC
Rated Voltage	300V	250V
Rated Current	20A	24A
Withstand Voltage	1600V/1min	4.0KV
Wire Range	26~12 AWG	0.5~2.5 mm ²

Material and other:

Housing:PA66, UL94V-0

Pin Header:Copper Alloy,Sn Plated

Screw/Torque:M3.0/0.5N.m

Stripping Length:6~7mm

Operating Temperature:-40°C ~ +105°C

Soldering Temperature:260°C /5S

Order Information

L-KLS2-129R-5.00-XXP-X X 01

RoHS

Terminal Block

Pitch:5.00mm

No.:Of (02~24) Pin

Color:

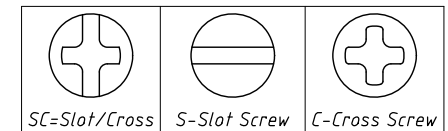
1=Gray 2=Blue 3=Black

4=Green 5=Orange 6=Red

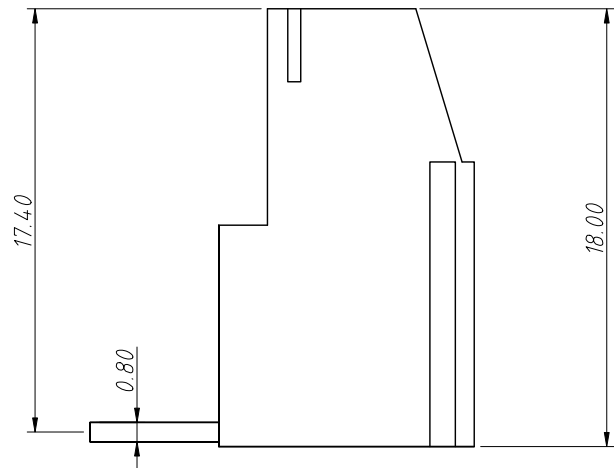
7=Transp 8=Yellow 9=White

Screw:SC=Slot/Cross

S-Slot Screw C-Cross Screw



Product Code:00~99



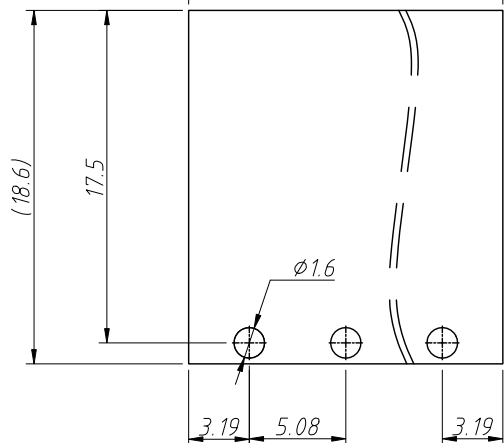
ANGLE TOLERANCE	PROJECTION	Description:
±3°		Pitch 5.00mm Terminal Block
GENERAL TOLERANCE	UNITS	mm
0~30 ±0.50	SHEET SIZE	A4
30~60 ±0.75	Draw:	Song
60~90 ±1.00	Check:	Daniel
		KLS P/N: L-KLS2-129R-5.00-XXP-XXXX



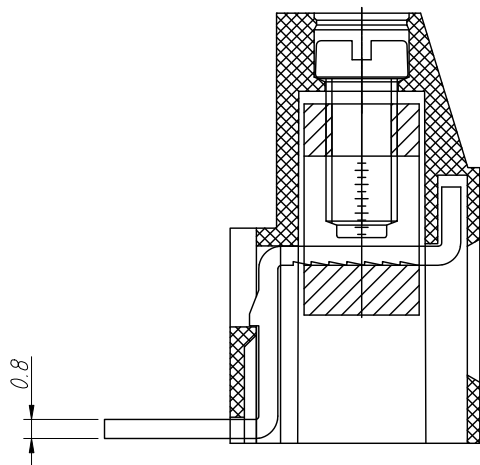
NingBo KLS ELECTRONIC CO.,LTD.

1 RoHS Compliance

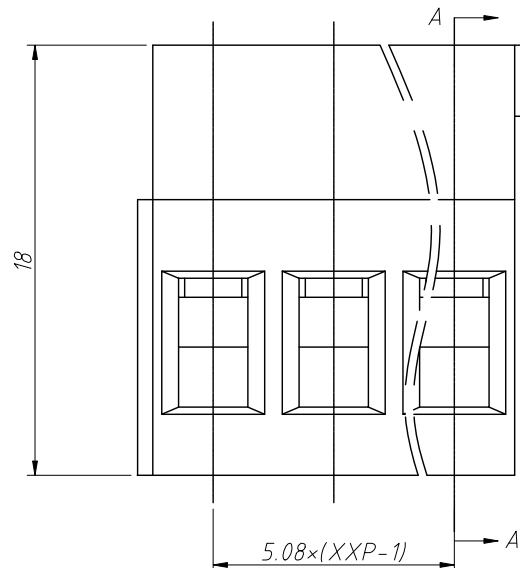
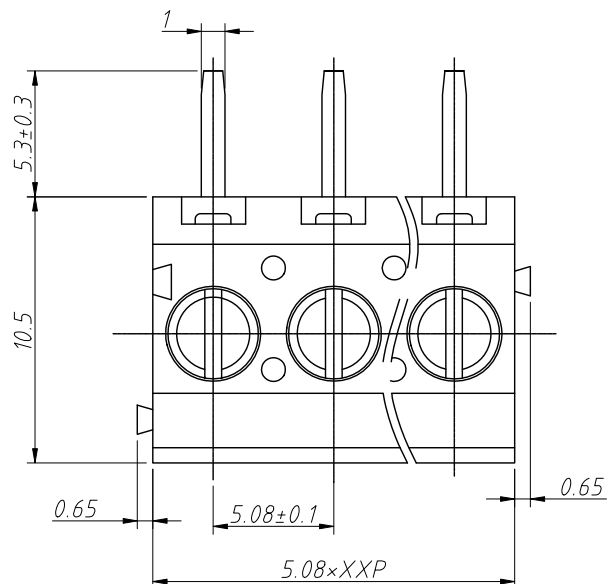
2 $5.08 \times XXP + 1.3$



Recommended PCB Layout



SECTION A-A



6	7	8
REV	SYM	Revision Record
VO	KLS02006	New Version Release
		Appr. Song
		Date 2024-11-13

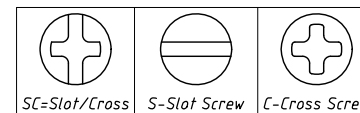
Electrical Characteristics	UL	IEC
Rated Voltage	300V	250V
Rated Current	16A	24A
Withstand Voltage	AC2000V/1 min	---
Wire Range	26 ~ 12 AWG	2.5 mm ²

Material and other:
 Housing: PA66, UL94V-0
 Pin Header: Brass, Tin Plated
 Cage: Brass, Ni Plated
 Screw/Torque: Steel, Zn Plated, M3.0/0.5N.m
 Contact Resistance: 20mΩ Max
 Insulation Resistance: 500MΩ/DC500V Min
 Stripping Length: 6-7mm
 Screw/Torque: M3.0/0.5N.m
 Temp. Range: -40°C ~ +105°C
 MAX Soldering: 250°C For 5S

Order Information

L-KLS2-129R-5.08-XXP-X X 01

RoHS
 Terminal Block
 Pitch: 5.08mm
 No.: Of (02 ~ 24) Pin
 Color:
 1=Gray 2=Blue 3=Black
 4=Green 5=Orange 6=Red
 7=Transp 8=Yellow 9=White
 Screw: SC=Slot/Cross
 S=Slot Screw C=Cross Screw



Product Code: 00 ~ 99

ANGLE TOLERANCE	PROJECTION	Description:
±3°		Pitch 5.08mm Terminal Block
GENERAL TOLERANCE	UNITS	KLS P/N:
0°~30° ±0.50	mm	L-KLS2-129R-5.08-XXP-XXXX
30°~60° ±0.75	SHEET SIZE	NingBo KLS ELECTRONIC CO.,LTD.
60°~90° ±1.00	A4	
	Draw:	Song 2024-11-13
	Check:	Daniel 2024-11-13