

TERMINAL BLOCK Connector

PCB Terminal Blocks

KLS2-129D-5.00 5.00 / 5.08mm Pitch PCB Terminal Block

Electrical :

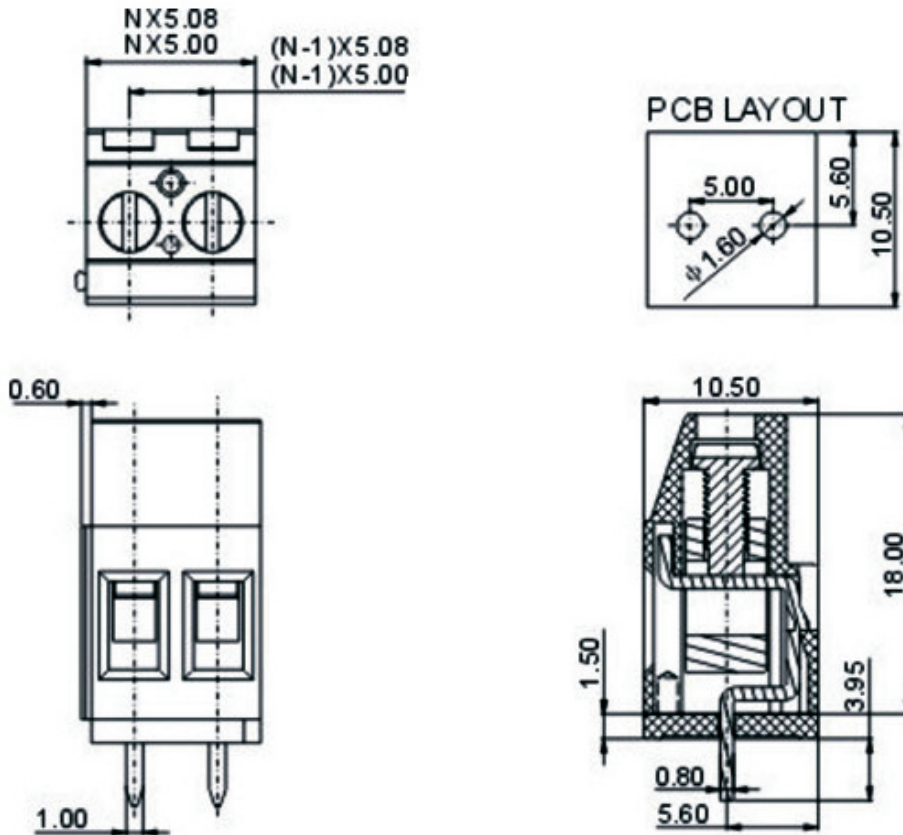
Rated voltage: 300V
Rated current: 10A
Contact resistance: 20mΩ
Insulation resistance: 5000MΩ/1000V
Withstanding Voltage: AC1500V/1Min
Wire range: 24-12AWG 2.5mm²

Material:

Screws: M2.5 steel Zinc plated
Contact: Brass
Pin header: Brass, Tin plated
Housing: PA66, UL94V-0

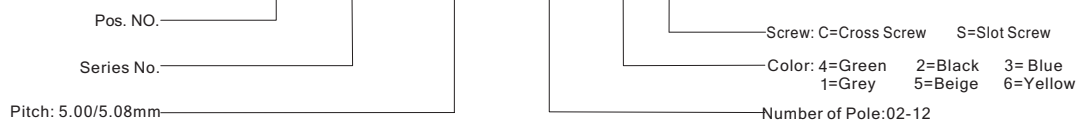
Mechanical:

Temp. Range: -40°C~+105°C
MAX Soldering: +250°C for 5 Sec.
Torque: 0.4Nm (3.6lb.in)
Strip length: 6-7mm



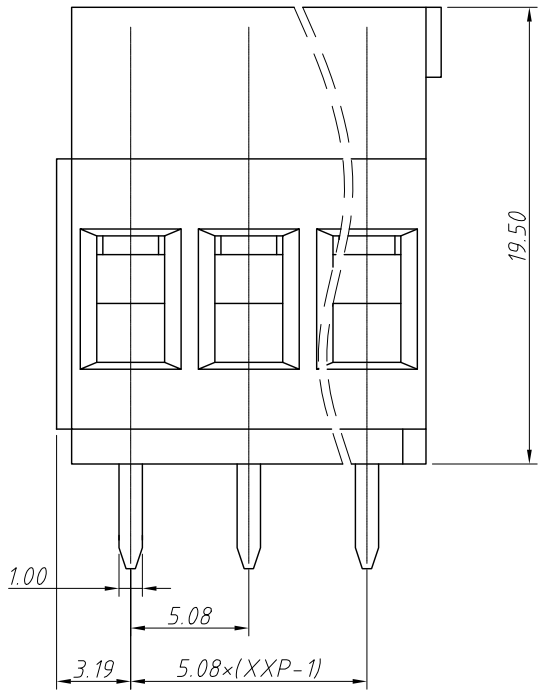
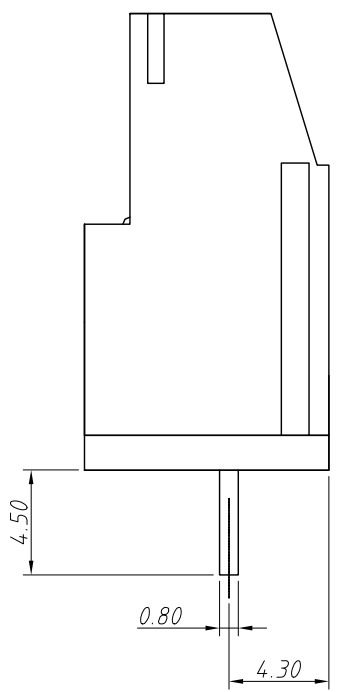
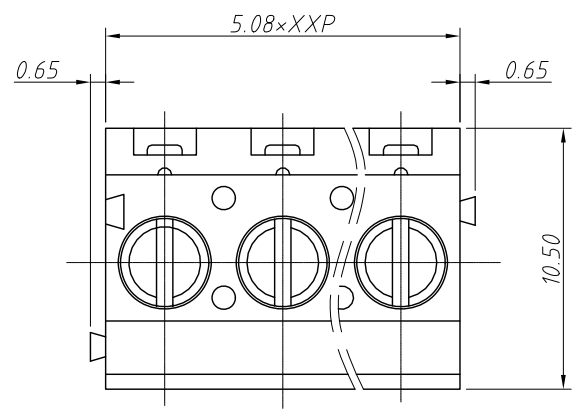
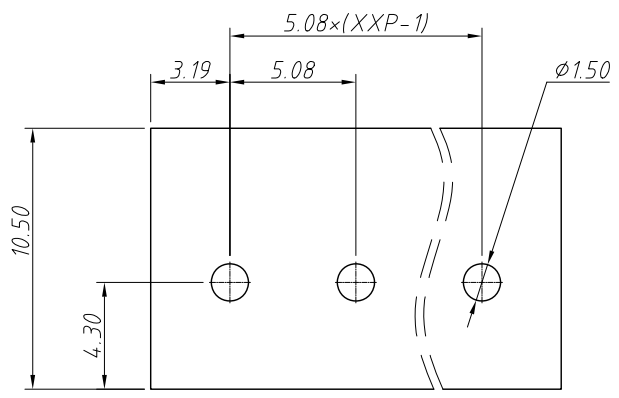
ORDER INFORMATION

Product NO.: KLS2-129D-5.00-XXP X X



1
RoHS Compliance

6		7		8	
REV	SYM	Revision Record		Appr.	Date
V0	KLS02006	New Version Release		WuHao	2024-11-12

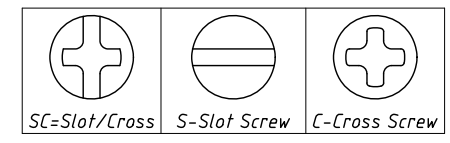


Electrical Characteristics	UL	IEC
Rated Voltage	300V	250V
Rated Current	20A	24A
Withstand Voltage	1600V / 1 min	4.0 KV
Wire Range	12~26 AWG	0.5~2.5mm ²

Material and other:
 Housing/Cover: PA66, UL 94 V-0
 Pin header: Copper Alloy, Sn Plated
 Cage: Copper Alloy, Ni Plated
 Stripping Length: 6~7mm
 Screw/Torque: Steel, M3.0 Zn Plated / 0.5N.m Max.
 Operating Temperature: -40°C ~ +105°C
 Soldering Temperature: +250°C, for 5 Sec

Order Information
 L-KLS2-129D-5.08-XXP-XX

RoHS
 Terminal Block
 Pitch: 5.08mm
 No. of (02~24) Pin
 Color:
 1=Gray 2=Blue 3=Black
 4=Green 5=Orange 6=Red
 7=Transp 8=Yellow 9=White
 Screw: SC=Slot/Cross
 S-Slot Screw C-Cross Screw



ANGLE TOLERANCE	PROJECTION	Description:			
±3°		Pitch 5.08mm Screw fixation Terminal Block			
GENERAL TOLERANCE	UNITS	mm	KLS P/N:	L-KLS2-129D-5.08-XXP-XX	
0~30	±0.50	SHEET SIZE	A4		
30~60	±0.75	Draw:	WuHao	2024-11-12	
60~90	±1.00	Check:	Daniel	2024-11-12	

NingBo KLS ELECTRONIC CO.,L TD.