

1 RoHS Compliance

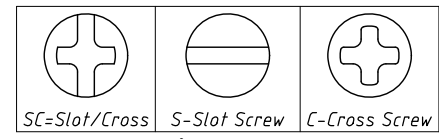
REV	SYM	Revision Record	Appr.	Date
V0	KLS02006	New Version Release	Song	2024-11-12

Electrical Characteristics	UL	IEC
Rated Voltage	300V	250V
Rated Current	16A	20A
Withstand Voltage	1600V/1min	4.0KV
Wire Range	22~12 AWG	0.5~2.5 mm <sup>2</sup>

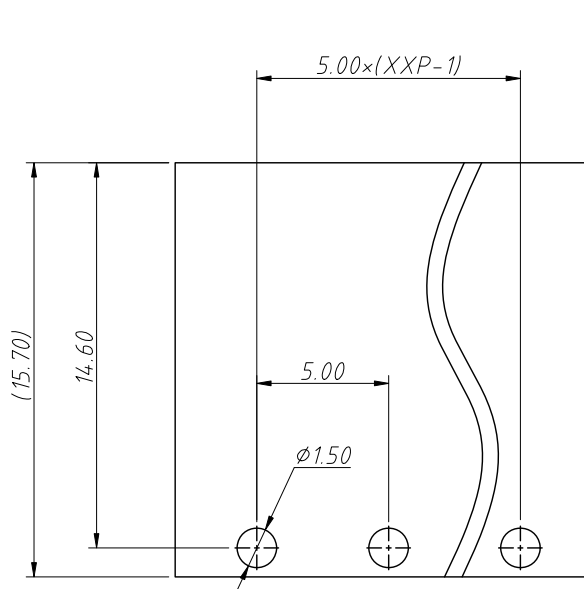
Material and other:  
 Housing:PA66, UL94V-0  
 Pin Header:Copper Alloy,Sn Plated  
 Cage: Copper Alloy,Ni Plated  
 Screw/Torque:Steel,Zn Plated,M2.5/0.4N.m  
 Stripping Length:6~7mm  
 Operating Temperature:-40°C ~ +105°C  
 Soldering Temperature:260°C /5S  
 Order Information

L-KLS2-128R-5.00-XXP-X X 01

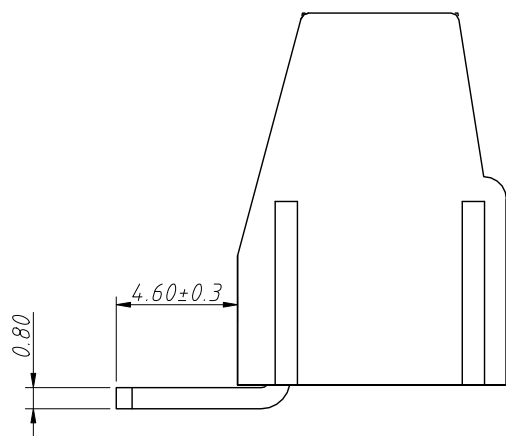
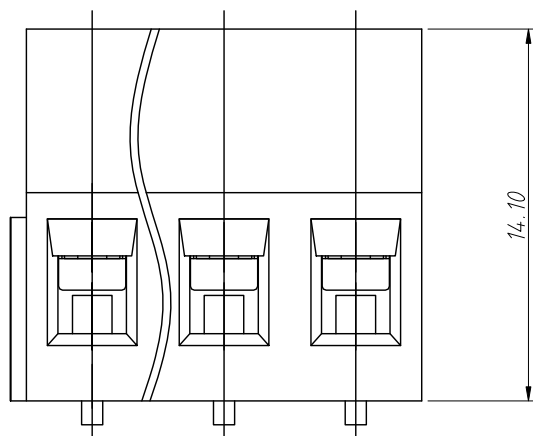
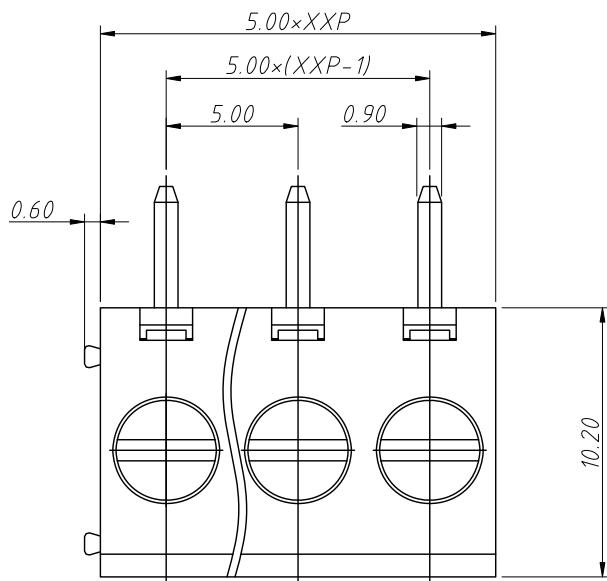
RoHS  
 Terminal Block  
 Pitch:5.00mm  
 No.:Of (02~24) Pin  
 Color:  
 1=Gray 2=Blue 3=Black  
 4=Green 5=Orange 6=Red  
 7=Transp 8=Yellow 9=White  
 Screw:SC=Slot/Cross  
 S-Slot Screw C-Cross Screw



Product Code:00~99



Recommended PCB Layout



ANGLE TOLERANCE	PROJECTION	Description:	Pitch 5.00mm Terminal Block	
±3°				
GENERAL TOLERANCE	UNITS	mm	KLS P/N:	L-KLS2-128R-5.00-XXP-XXXX
0~30	±0.50	SHEET SIZE	A4	
30~60	±0.75	Draw:	Song	2024-11-12
60~90	±1.00	Check:	Daniel	2024-11-12

