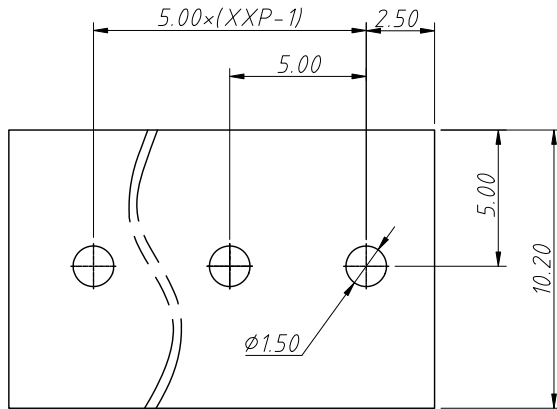
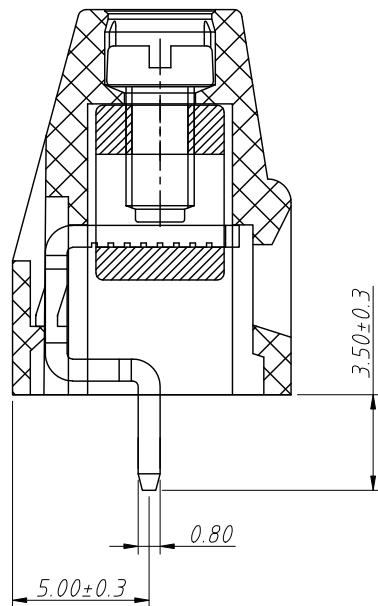


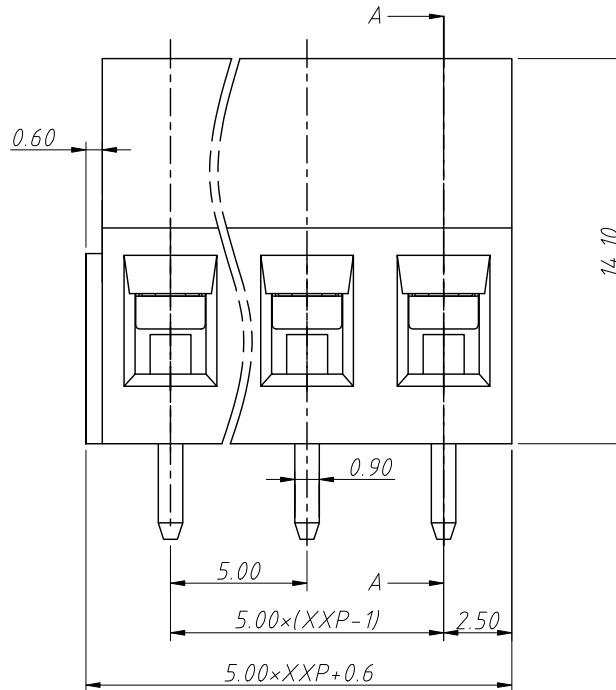
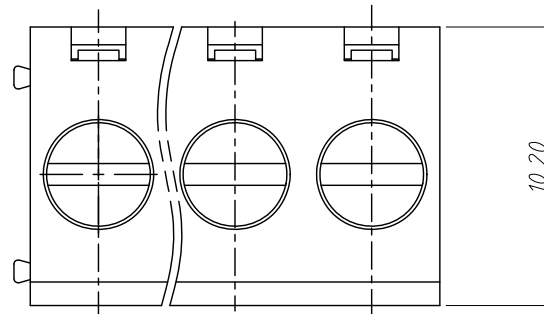
1 RoHS Compliance



Recommended PCB Layout



SECTION A-A



REV	SYM	Revision Record	Appr.	Date
V0	KLS02006	New Version Release	Song	2024-11-12

Electrical Characteristics	UL	IEC
Rated Voltage	300V	250V
Rated Current	16A	24A
Withstand Voltage	1600V/1min	4.0 KV
Wire Range	24 ~ 12 AWG	0.5 ~ 2.5 mm ²

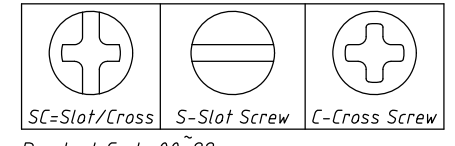
Material and other:
 Housing: PA66, UL 94 V-0
 Pin Header: Copper Alloy, Sn Plated
 Screw/Torque: M2.5/0.4 N.m Max
 Stripping Length: 6 ~ 7mm
 Operating Temperature: -40°C ~ +105°C

Order Information

L-KLS2-128-5.00-XXP-X X 01

RoHS
 Terminal Block
 Pitch: 5.00mm
 No.: Of (02 ~ 24) Pin
 Color:
 1=Gray 2=Blue 3=Black
 4=Green 5=Orange 6=Red
 7=Transp 8=Yellow 9=White

Screw: SC=Slot/Cross
 S-Slot Screw C-Cross Screw



Product Code: 00 ~ 99

ANGLE TOLERANCE	PROJECTION	Description:
±3°		Pitch 5.00mm Terminal Block
GENERAL TOLERANCE	UNITS	mm
0 ~ 30	±0.50	KLS P/N:
30 ~ 60	±0.75	SHEET SIZE
60 ~ 90	±1.00	A4
Draw:	Song	2024-11-12
Check:	Daniel	2024-11-12



NingBo KLS ELECTRONIC CO.,L TD.