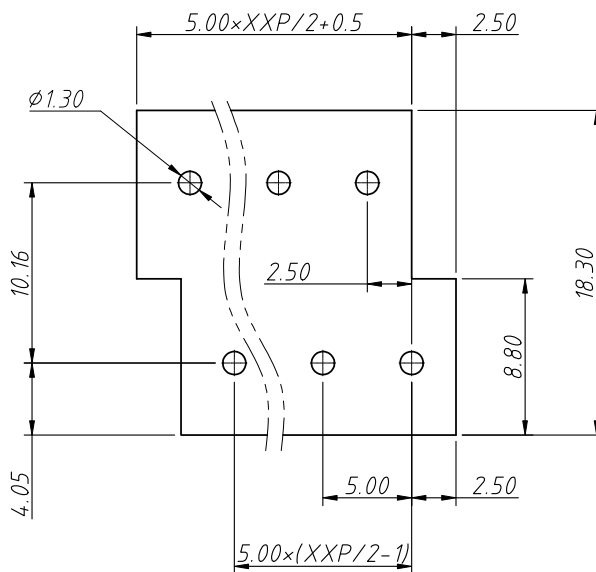
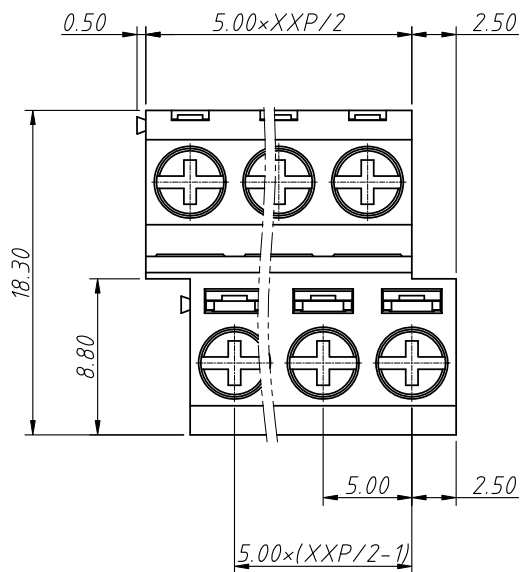
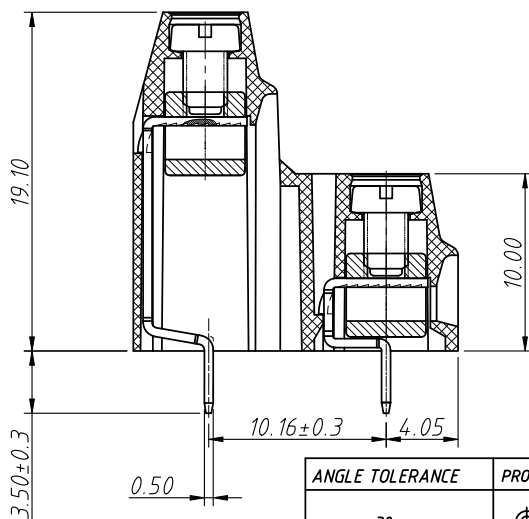
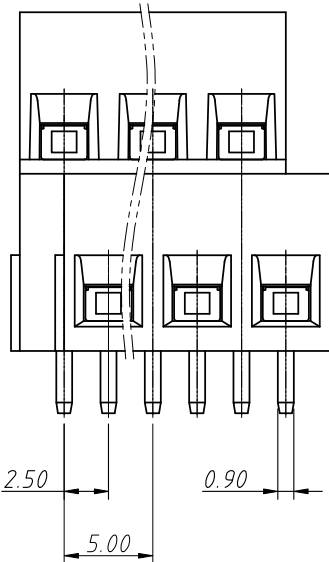


1 RoHS Compliance

REV	SYM	Revision Record	Appr.	Date
V0	KLS02006	New Version Release	Jenny	2024-10-09



Recommended PCB Layout



Electrical Characteristics	UL	IEC
Rated Voltage	300V	250V
Rated Current	12A	17.5A
Withstand Voltage	AC2000V/1min	---
Wire Range	26~16 AWG	1.5mm ²

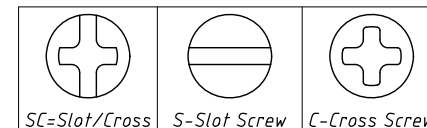
Material and other:

Housing: PA66, UL 94V-0
 Pin Header: Brass, Tin Plated
 Screw/Torque: M2.5, Steel, Zn Plated/0.4Nm
 Cage: Brass, Ni Plated
 Contact Resistance: 20mΩ Max
 Insulation Resistance: 500MΩ/DC500V Min
 Stripping Length: 5~6mm
 Temp. Range: -40°C ~ +105°C
 MAX Soldering: 250°C, for 5 Sec

Order Information

L-KLS2-127A-5.00-XXP-X X

RoHS
 Terminal Block
 Pitch: 5.00mm
 No.: Of (04~48) Pin
 Color: 1=Gray 2=Blue 3=Black
 4=Green 5=Orange 6=Red
 7=Transp 8=Yellow 9=White
 Screw: SC=Slot/Cross
 S-Slot Screw C-Cross Screw

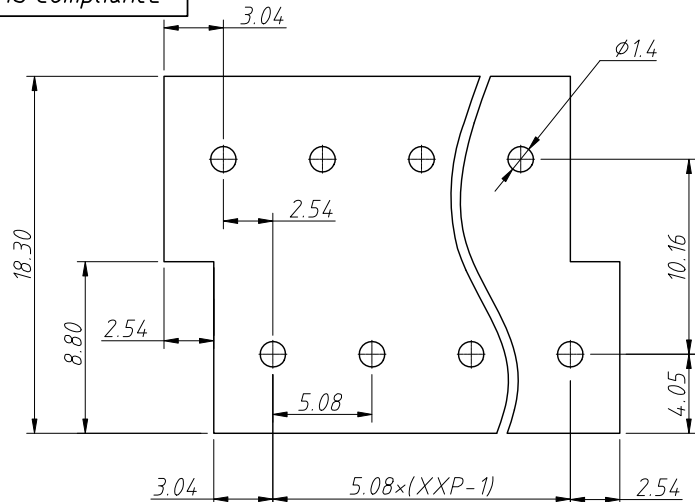


ANGLE TOLERANCE	PROJECTION	Description:		
±3°		Pitch 5.00mm Screw Fixation Terminal Block		
GENERAL TOLERANCE	UNITS	mm	KLS P/N:	L-KLS2-127A-5.00-XXP-XX
0~30	±0.50	SHEET SIZE	A4	
30~60	±0.75	Draw:	Jenny	2024-10-09
60~90	±1.00	Check:	Daniel	2024-10-09

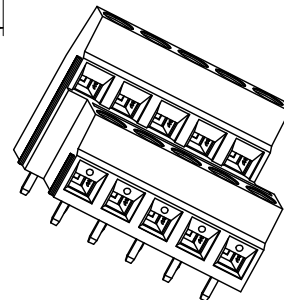
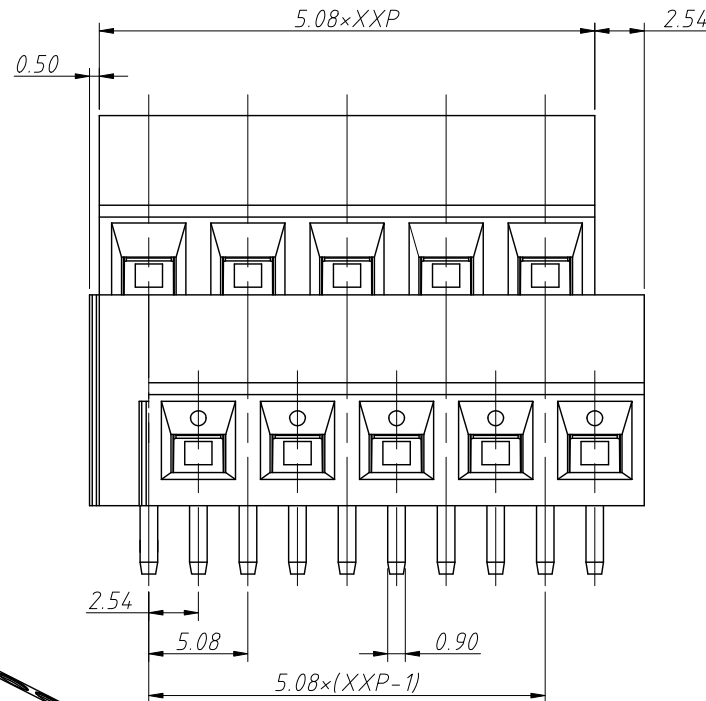
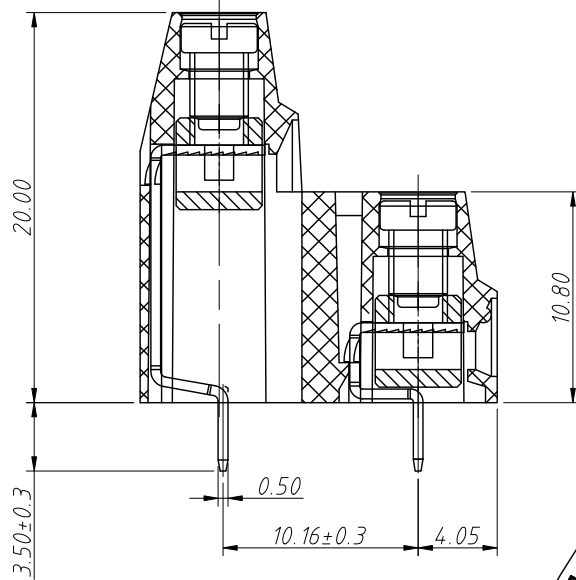
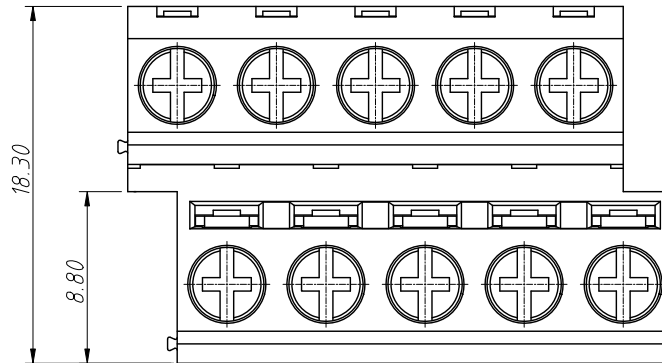


NingBo KLS ELECTRONIC CO.,L TD.

RoHS Compliance



Recommended PCB Layout



REV	SYM	Revision Record	Appr.	Date
V0	KLS02006	New Version Release	Song	2024-09-09

Electrical Characteristics	UL	IEC
Rated Voltage	300V	250V
Rated Current	12A	17.5A
Withstand Voltage	AC2000V/1min	---
Wire Range	26 ~ 14 AWG	1.5mm ²

Material and other:

Housing: PA66, UL94V-0

Pin Header: Copper Alloy, Sn Plated

Screw/Torque: M3.0, Steel, Zn Plated/0.5N.m

Cage: Copper Alloy, Ni Plated

Contact Resistance: 20mΩ Max

Insulation Resistance: 500MΩ/DC500V Min

Stripping Length: 5 ~ 6mm

Temp. Range: -40°C ~ +105°C

MAX Soldering: 250°C, for 5 Sec

Order Information

L-KLS2-127A-5.08-XXP-X X

RoHS

Terminal Block

Pitch: 5.08mm

No.: Of (02 ~ 30) Pin

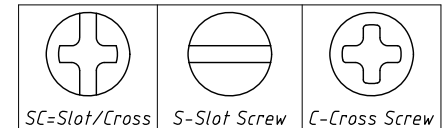
Color: 1=Gray 2=Blue 3=Black

4=Green 5=Orange 6=Red

7=Transp 8=Yellow 9=White

Screw: SC=Slot/Cross

S-Slot Screw C-Cross Screw



ANGLE TOLERANCE	PROJECTION	Description:
±3°		Pitch 5.08mm Screw Fixation Terminal Block
GENERAL TOLERANCE	UNITS	mm
0 ~ 30	±0.50	SHEET SIZE
30 ~ 60	±0.75	Draw:
60 ~ 90	±1.00	Check:
		KLS P/N:
		L-KLS2-127A-5.08-XXP-XX
		2024-09-09
		2024-09-09



NingBo KLS ELECTRONIC CO.,LTD.