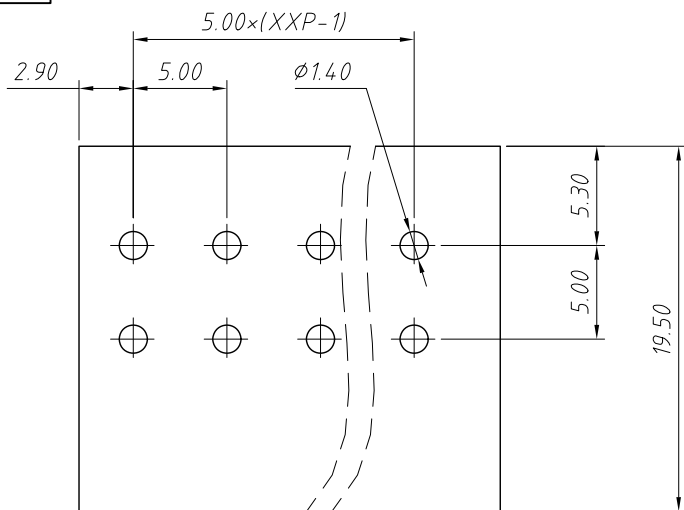
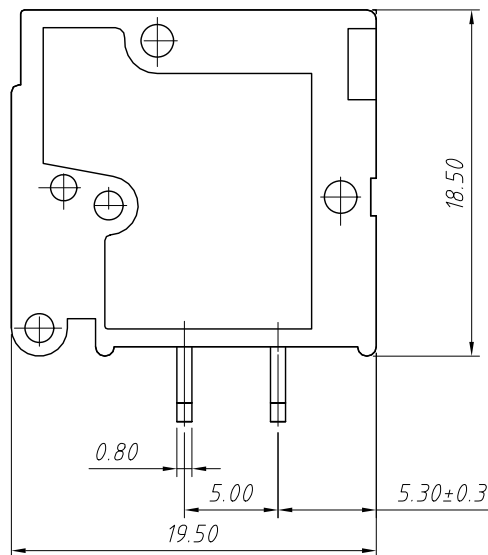
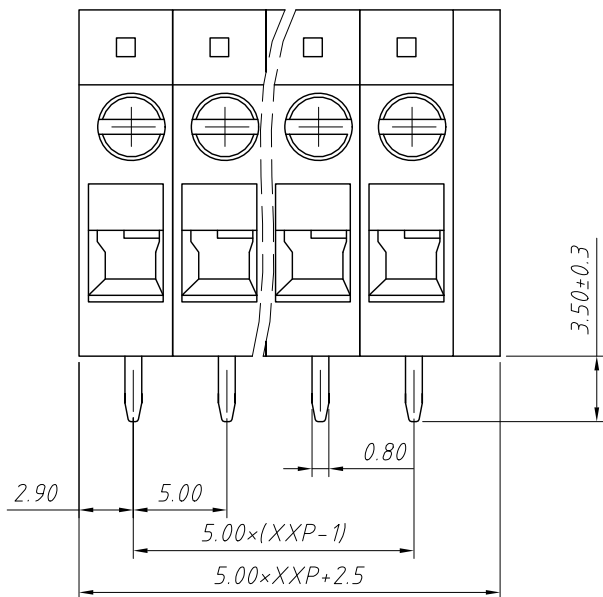


1 RoHS Compliance



Recommended PCB Layout



REV	SYM	Revision Record	Appr.	Date
V0	KLS02006	New Version Release	WuHao	2024-11-13

Electrical Characteristics	UL	IEC
Rated Voltage	300V	250V
Rated Current	20A	24A
Withstand Voltage	1600V/1 min	4.0 KV
Wire Range	26~12 AWG	0.5~2.5mm <sup>2</sup>

Material

Housing:PA66,UL94V-0

Pin Header:Copper alloy,Sn plated

Screw/Torque:M2.5/0.4N.m Max

Stripping Length:12~13 mm

Operating Temperature:-40°C ~ +105°C

Soldering Temperature:+260°C,For 5 Sec

Order Information

L-KLS2-146R-5.00-XXP-X X

RoHS

Terminal Block

Pitch:5.00mm

No. of (01~30)Pole

Color:

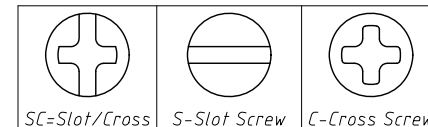
1=Gray 2=Blue 3=Black

4=Green 5=Orange 6=Red

7=Transp 8=Yellow 9=White

Screw:SC=Slot/Cross

S-Slot Screw C-Cross Screw



ANGLE TOLERANCE	PROJECTION	Description:		
±3°		Pitch 5.00mm Terminal Blocks		
GENERAL TOLERANCE	UNITS	mm	KLS P/N:	L-KLS2-146R-5.00-XXP-XX
x.x ±0.30	SHEET SIZE	A4		
x.xx ±0.20	Draw:	WuHao	2024-11-13	
x.xxx ±0.10	Check:	Daniel	2024-11-13	

NingBo KLS ELECTRONIC CO.,L TD.