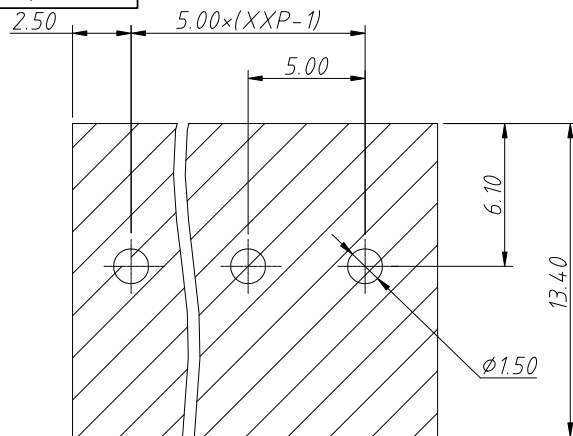
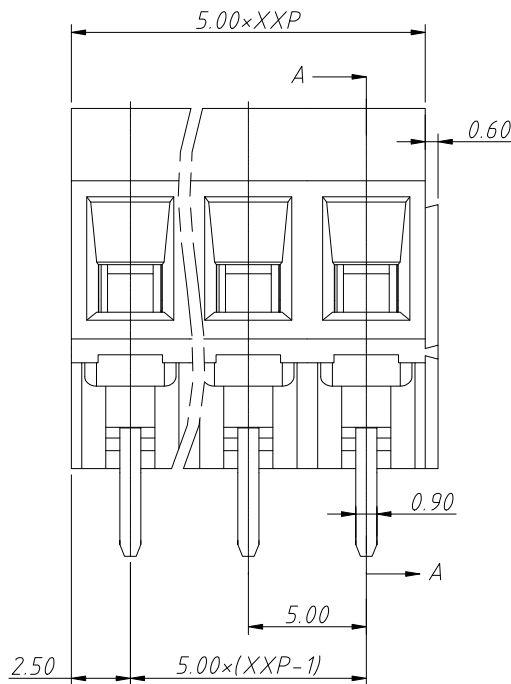
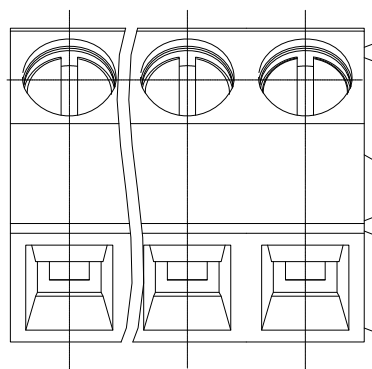
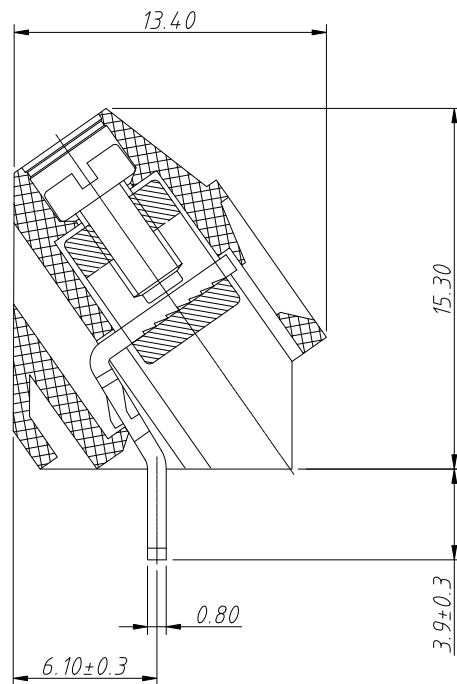


RoHS Compliance



Recommended PCB Layout



REV	SYM	Revision Record	Appr.	Date
V0	KLS02006	New Version Release	Song	2024-11-12

Electrical Characteristics	UL	IEC
Rated Voltage	300V	250V
Rated Current	16A	24A
Withstand Voltage	1600V/1 min	4.0 KV
Wire Range	24 ~ 12 AWG	0.5 ~ 2.5 mm ²

Material and other:

Housing: PA66, UL94V-0

Pin Header: Copper Alloy, Sn Plated

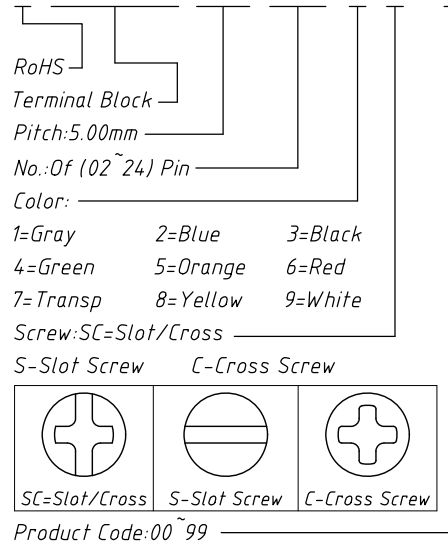
Screw/Torque: M2.5/0.4N.m

Stripping Length: 6 ~ 7mm

Operating Temperature: -40°C ~ +105°C

Order Information

L-KLS2-103-5.00-XXP-X X 01



ANGLE TOLERANCE	PROJECTION	Description:	Pitch 5.00mm Terminal Block	
±3°				
GENERAL TOLERANCE	UNITS	mm	KLS P/N:	L-KLS2-103-5.00-XXP-XXXX
0 ~ 30	±0.50	SHEET SIZE	A4	
30 ~ 60	±0.75	Draw:	Song	2024-11-12
60 ~ 90	±1.00	Check:	Daniel	2024-11-12



NingBo KLS ELECTRONIC CO.,LTD.