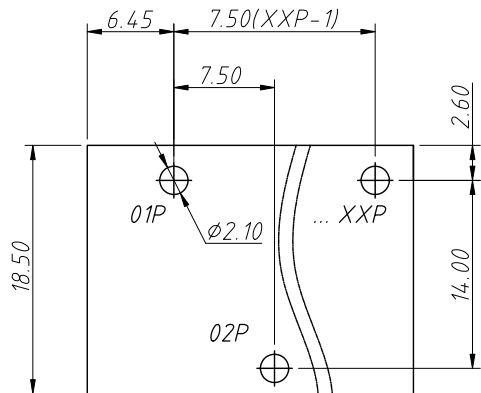
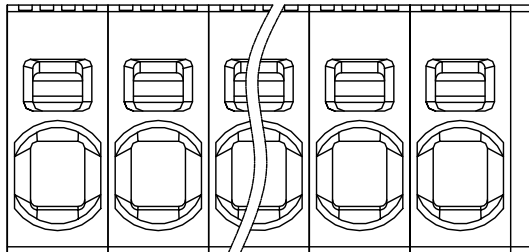


1 RoHS Compliance

| | | | | |
|-----|----------|---------------------|-------|------------|
| REV | SYM | Revision Record | Appr. | Date |
| V0 | KLS02006 | New Version Release | Song | 2024-09-07 |



Recommended PCB Layout



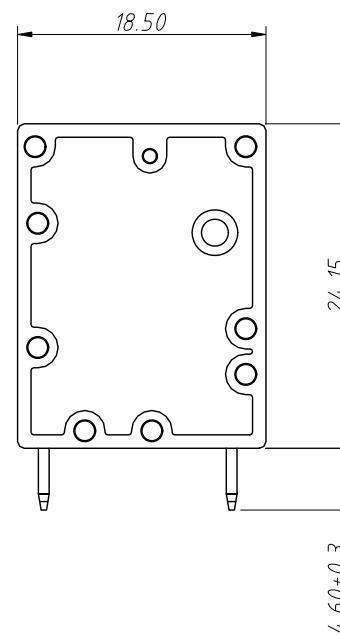
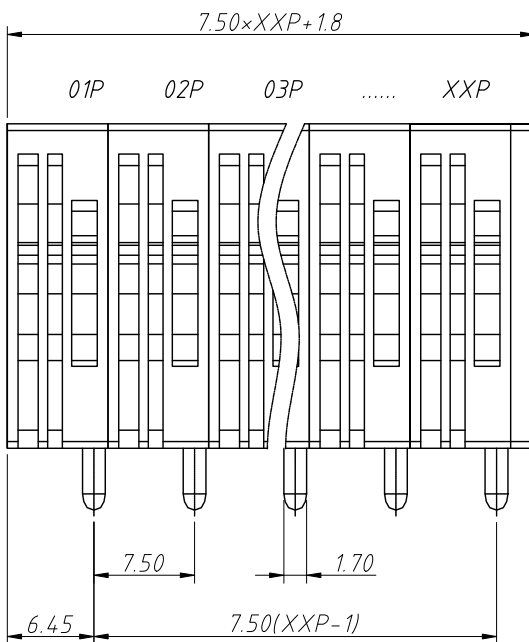
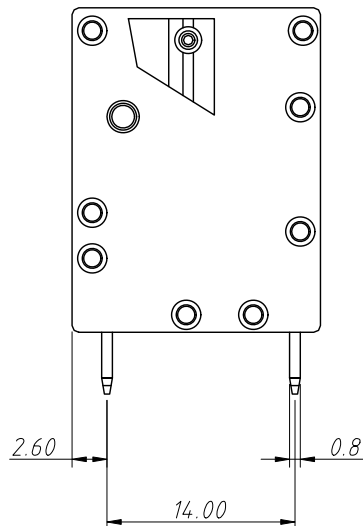
| | | |
|----------------------------|-------------|--|
| Electrical Characteristics | UL | IEC |
| Rated Voltage | 600V | 800V |
| Rated Current | 40A | 41A |
| Withstand Voltage | 2200V/1 min | 8.0KV |
| Wire Range | 24~8AWG | 0.2~10mm ² / 0.2~6mm ² |

Material and other:
 Housing: PA66, UL94V-0
 Pin Header: Cobby Alloy, Sn Plated
 Stripping Length: 15mm
 Operating Temperature: -40°C ~ +105°C

Order Information

L-KLS2-262V-7.50-XXP-X

RoHS
 Terminal Block
 Pitch: 7.50mm
 No.: Of (1~18) Pins
 Color: 1=Gray 2=Blue 3=Black
 4=Green 5=Orange 6=Red
 7=Transp 8=Yellow 9=White



| | | |
|-------------------|------------|--------------------------------|
| ANGLE TOLERANCE | PROJECTION | Description: |
| ±3° | | 7.50mm Spring Terminal Blocks |
| GENERAL TOLERANCE | UNITS | mm |
| 0~30 ±0.50 | SHEET SIZE | A4 |
| 30~60 ±0.75 | Draw: | Song |
| 60~90 ±1.00 | Check: | Daniel |
| KLS P/N: | | L-KLS2-262V-7.50-XXP-X |
| KLS ELECTRONIC | | NingBo KLS ELECTRONIC CO.,LTD. |