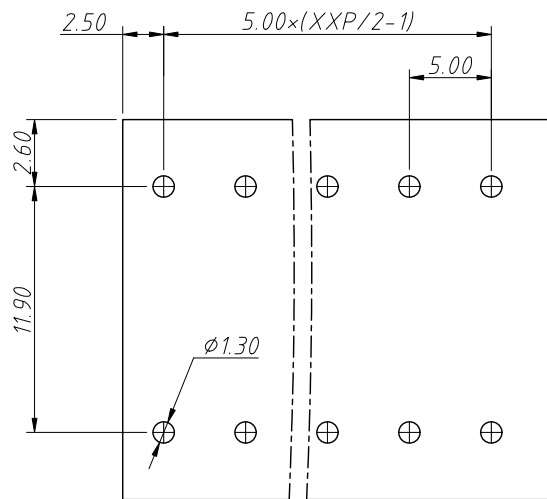
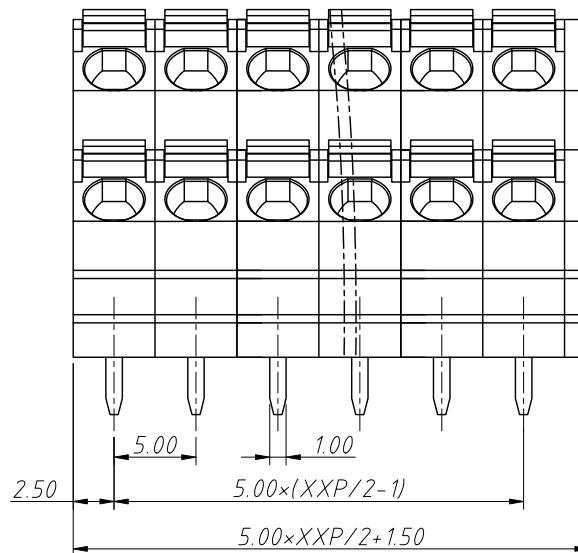
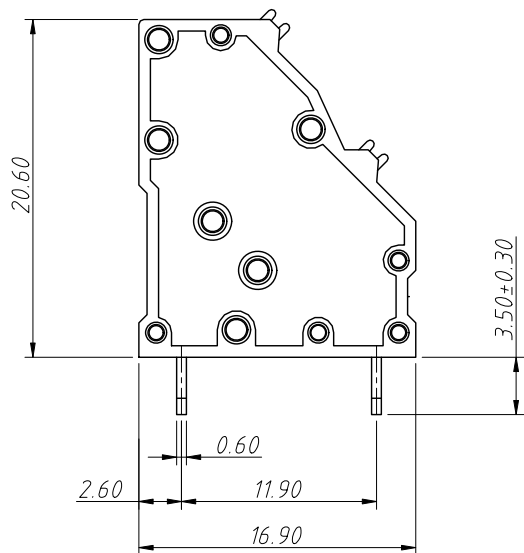
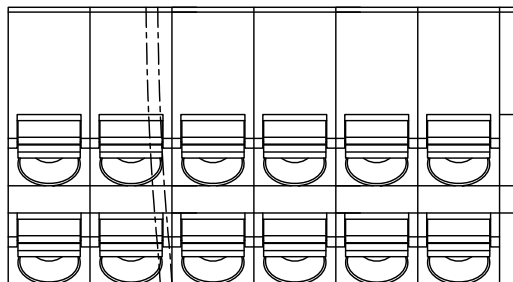


1 RoHS Compliance

REV	SYM	Revision Record	Appr.	Date
V0	KLS02006	New Version Release	Song	2024-09-02



Recommended PCB Layout



Electrical Characteristics	UL	IEC
Rated Voltage	300V	320V
Rated Current	10A	17.5A
Withstand Voltage	1600V/1 min	4.0KV
Wire Range	28~16AWG	0.2~1.5mm <sup>2</sup>

Material and other:

Housing:PA66, UL94V-0

Pin Header:Coppo Alloy,Sn Plated

Stripping Length:8-9mm

Operating Temperature:-40°C~+105°C

Soldering Temperature:260°C For 5S

Order Information

L-KLS2-252T2-5.00-XXP-X

RoHS

Terminal Block

Pitch:5.00mm

No.:Of (02~48) Pins

Color:1=Gray 2=Blue 3=Black

4=Green 5=Orange 6=Red

7=Transp 8=Yellow 9=White

ANGLE TOLERANCE	PROJECTION	Description:	5.00mm Spring Terminal Blocks	
±3°				
GENERAL TOLERANCE	UNITS	mm	KLS P/N:	L-KLS2-252T2-5.00-XXP-X
0~30 ±0.50	SHEET SIZE	A4		
30~60 ±0.75	Draw:	Song	2024-09-02	
60~90 ±1.00	Check:	Daniel	2024-09-02	

NingBo KLS ELECTRONIC CO.,L TD.