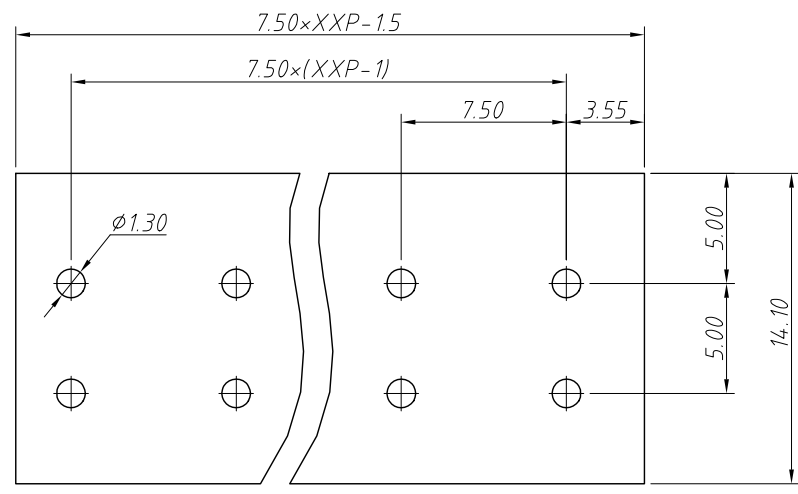


1
RoHS Compliance

6	7	8
REV	SYM	Revision Record
V0	KLS02006	New Version Release
		Appr.
		Song
		Date
		2024-08-22



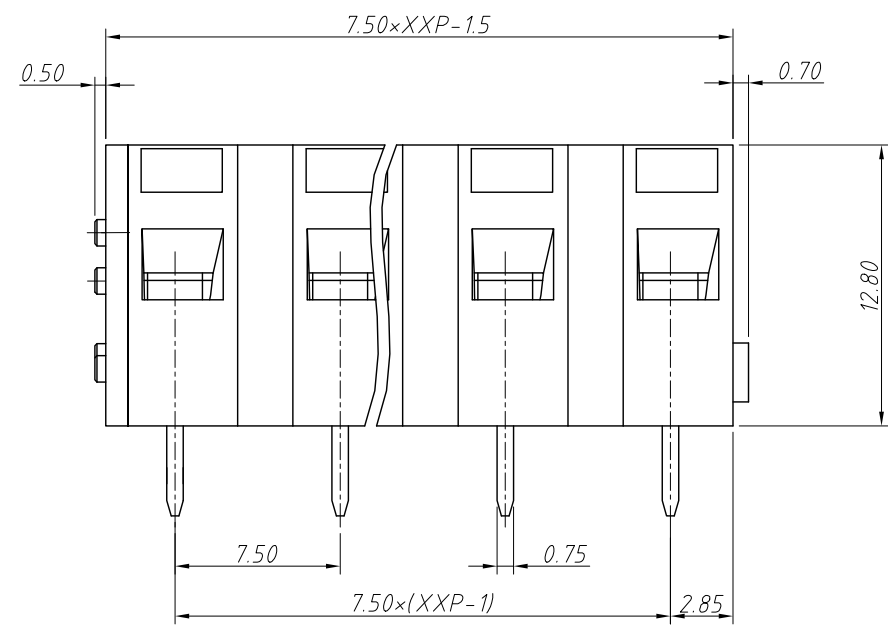
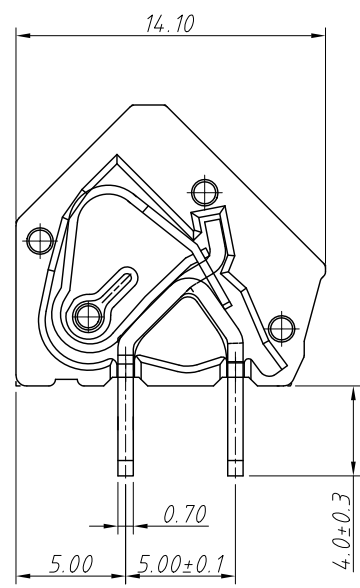
Recommended PCB Layout

Electrical Characteristics	UL	IEC
Rated Voltage	300V	450V
Rated Current	10A	15A
Withstand Voltage	AC2000V/1 min	---
Wire Range	26~14 AWG	1.5mm ²

Material and other:
Housing: PA66, UL94V-0
Pin Header: Brass, Tin Plated
Wire Guard: Stainless Steel
Contact Resistance: 20mΩ
Insulation Resistance: 500MΩ/DC500V
Stripping Length: 5~6mm
Temp. Range: -40°C ~ +105°C
MAX Soldering: 250°C±5°C for 5S

Order Information
L-KLS2-206-7.50-XXP-X

RoHS
Terminal Block
Pitch: 7.50mm
No. of (02~24) Pins
Color: 1=Gray 2=Blue 3=Black
4=Green 5=Orange 6=Red
7=Transp 8=Yellow 9=White



ANGLE TOLERANCE	PROJECTION	Description:
±3°		7.50mm Spring Terminal Blocks
GENERAL TOLERANCE	UNITS	mm
0~30 ±0.50	SHEET SIZE	A4
30~60 ±0.75	Draw:	Song
60~90 ±1.00	Check:	Daniel
		2024-08-22
		2024-08-22
		L-KLS2-206-7.50-XXP-X
		NingBo KLS ELECTRONIC CO.,L TD.