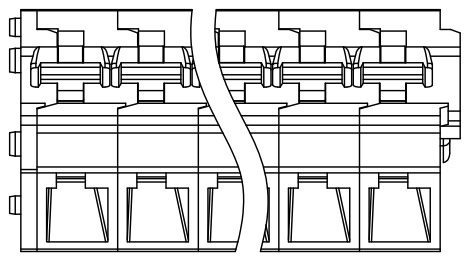
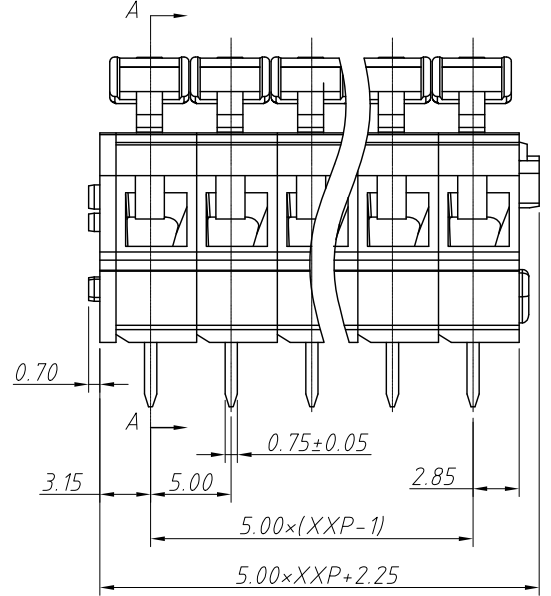
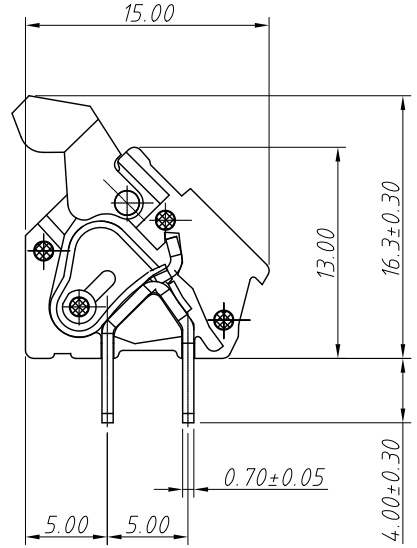


1
RoHS Compliance

6		7		8	
REV	SYM	Revision Record		Appr.	Date
V0	KLS02006	New Version Release		Song	2024-08-28



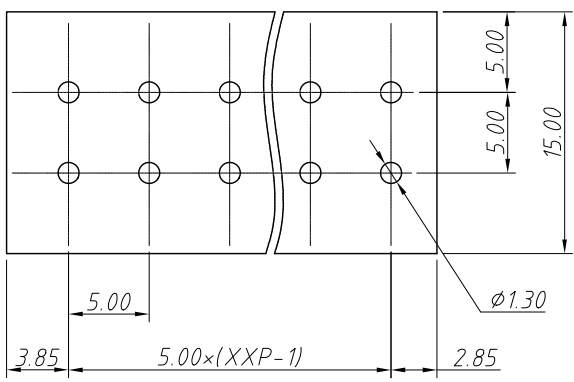
Electrical Characteristics	UL	IEC
Rated Voltage	300V	250V
Rated Current	10A	15A
Withstand Voltage	AC2000V/1 min	---
Wire Range	28~14AWG	2.5mm ²



Material and other:
 Housing: PA66, UL 94V-0
 Pin Header: Brass, Tin Plated
 Wire Guard: Stainless Steel
 Stripping Length: 5~6mm
 Temp. Range: -40°C ~ +105°C
 MAX Soldering: 250°C For SS

Order Information
 L-KLS2-243V-5.00-XXP-X

RoHS
 Terminal Block
 Pitch: 5.00mm
 No.: Of (1~XX) Pins
 Color: 1=Gray 2=Blue 3=Black
 4=Green 5=Orange 6=Red
 7=Transp 8=Yellow 9=White



Recommended PCB Layout

ANGLE TOLERANCE	PROJECTION	Description:			
±3°		5.00mm Spring Terminal Blocks			
GENERAL TOLERANCE	UNITS	mm	KLS P/N:	L-KLS2-243V-5.00-XXP-X	
0~30	±0.50	SHEET SIZE	A4		
30~60	±0.75	Draw:	Song	2024-08-28	
60~90	±1.00	Check:	Daniel	2024-08-28	

NingBo KLS ELECTRONIC CO.,L TD.