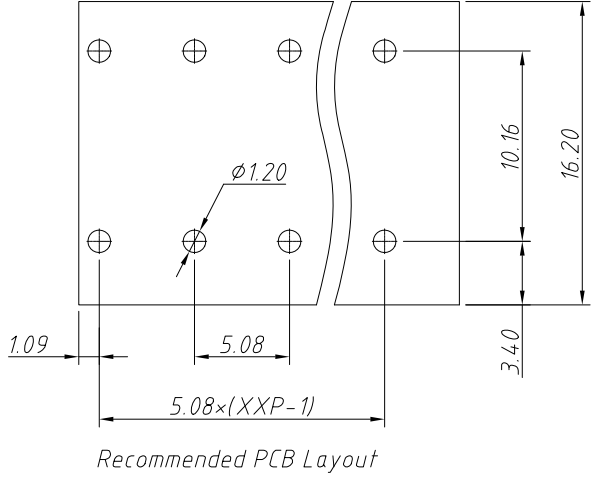
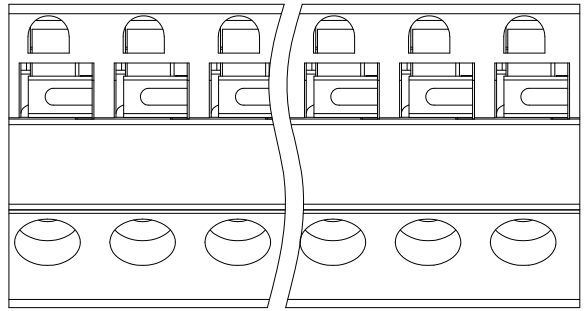


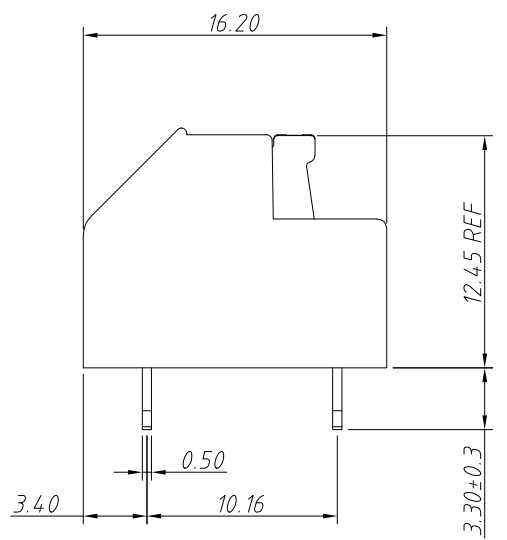
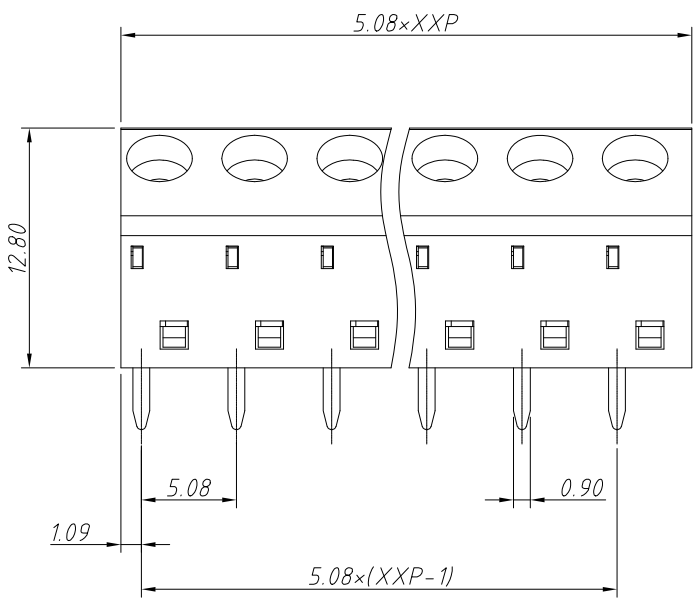
1
RoHS Compliance

| | | | |
|-----|----------|---------------------|------------|
| 7 | | 8 | |
| REV | SYM | Revision Record | Appr. |
| V0 | KLS02006 | New Version Release | Song |
| | | Date | 2024-08-28 |



| | | |
|----------------------------|-------------|------------------------|
| Electrical Characteristics | UL | IEC |
| Rated Voltage | 300V | 250V |
| Rated Current | 10A | 12A |
| Withstand Voltage | 1600V/1 min | 4.0KV |
| Wire Range | 22~16AWG | 0.2~1.5mm ² |

Material and other:
 Housing:PA66,UL 94V-0
 Pin Header:Coppy Alloy,Sn Plated
 Stripping Length:10mm
 Operating Temperature:-40°C~ +105°C



Order Information
 L-KLS2-239R-5.08-XXP-X

RoHS
 Terminal Block
 Pitch:5.08mm
 No.:Of (2~12) Pins
 Color:1=Gray 2=Blue 3=Black
 4=Green 5=Orange 6=Red
 7=Transp 8=Yellow 9=White

| | | | |
|-------------------|------------|-------------------------------|------------------------|
| ANGLE TOLERANCE | PROJECTION | Description: | |
| ±3° | | 5.08mm Spring Terminal Blocks | |
| GENERAL TOLERANCE | UNITS | mm | KLS P/N: |
| 0~30 ±0.50 | SHEET SIZE | A4 | L-KLS2-239R-5.08-XXP-X |
| 30~60 ±0.75 | Draw: | Song | 2024-08-28 |
| 60~90 ±1.00 | Check: | Daniel | 2024-08-28 |

