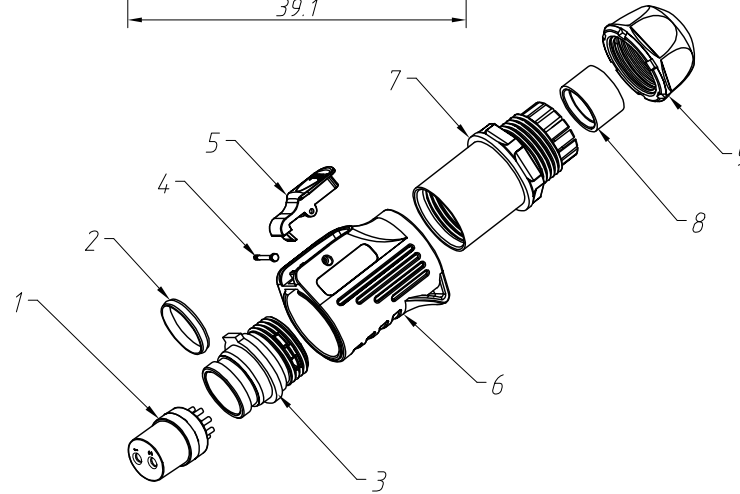
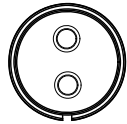
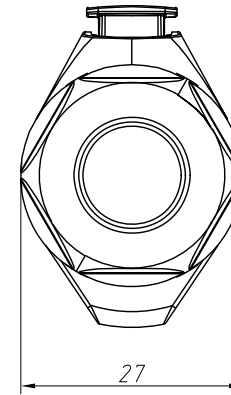
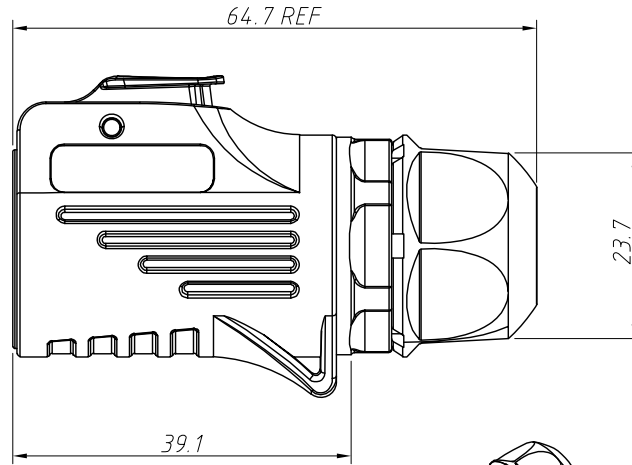
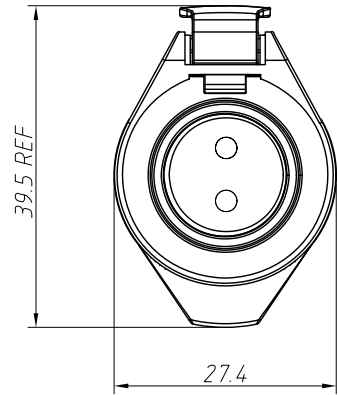


1 RoHS Compliance

REV	SYM	Revision Record	Appr.	Date
V0	KLS15032	New Version Release	WuHao	2024-12-11



Material:

1. Insulated plastic core: PA66+30%GF
2. Waterproof sealing ring: silica gel
3. Metal protector: Zinc alloy
4. Bolt: Stainless steel
5. Metal keys: Zinc alloy
6. Housing: PBT+PC
7. Posterior shell of screw: PBT+PC
8. Waterproof sealing ring: silicagel
9. Nut: PBT+PC

Electrical :

- Protection: IP67(docking)
- Wiring Method: Welding
- Copper needle category: Female needle

Order Information:

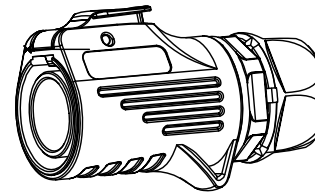
L-KLS15-200L-LP20-02 F1

L: RoHS

Part NO.

NO. Of XX Pins

Type:F1=Female plug



Core tables

The NO. of Pins	02 PIN	03 PIN	04 PIN	05 PIN	07 PIN	09 PIN	12 PIN
The PIN map							
Contact Diameter	φ2.7 mm	φ2.7 mm	φ2.7 mm	φ1.8 mm	φ1.8 mm	φ1.0 mm	φ1.0 mm
Rated current	20A	20A	20A	10A	10A	5A	5A
Operating voltage	500V	500V	500V	500V	500V	250V	250V

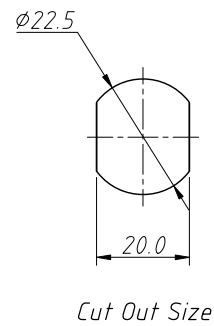
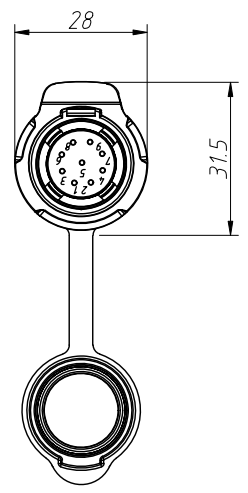
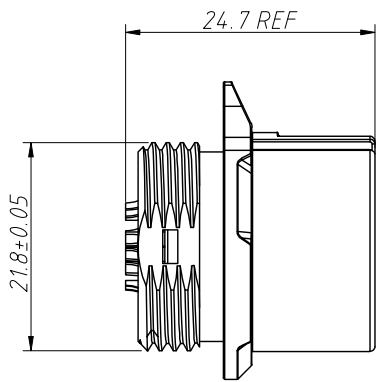
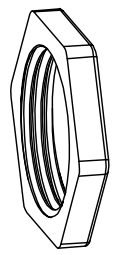
ANGLE TOLERANCE	PROJECTION	Description:	Metal circular connector, IP67,Female Plug
±3°			
GENERAL TOLERANCE	UNITS	mm	L-KLS15-200L-LP20-XXF1
.x ±0.30	SHEET SIZE	A4	
.xx ±0.20	Draw:	WuHao	2024-12-11
.xxx ±0.10	Check:	Daniel	2024-12-11



NingBo KLS ELECTRONIC CO.,L TD.

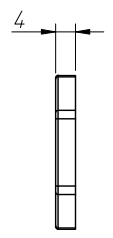
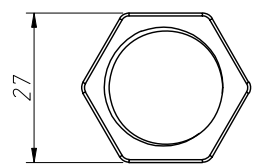
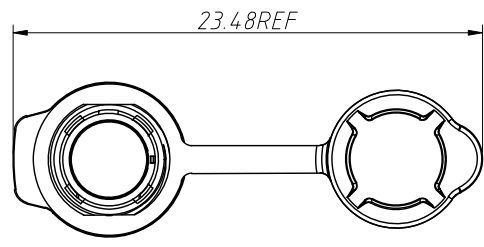
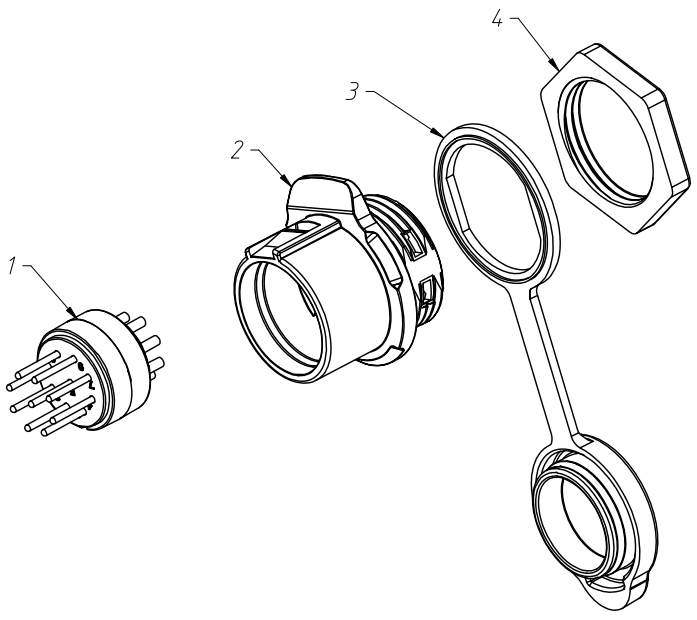
1  
RoHS Compliance

6		7		8	
REV	SYM	Revision Record		Appr.	Date
V0	KLS15032	New Version Release		Song	2024-10-25



- Material:
1. Insulated plastic core: PA6+30%GF
  2. Housing : Zinc Alloy
  3. Waterproof Cover: silicagel
  4. Hex Nut: PBT+PC
  5. Waterproof sealing ring: silica gel

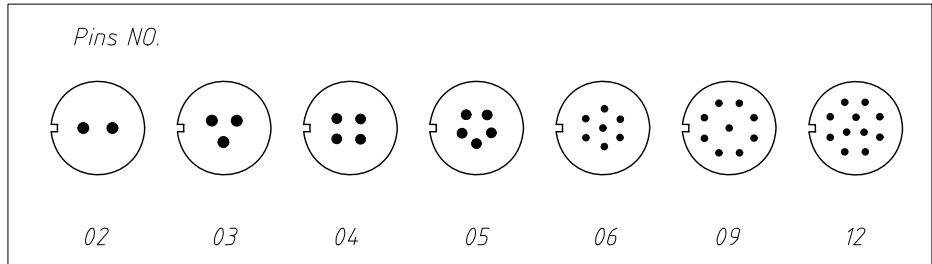
- Electrical :
- Rated Current: 5A
  - Rated Voltage: 250V
  - Protection: IP67 (docking)
  - Wiring Method: Welding
  - Copper needle category: Male needle



Order Information:

L-KLS15-200L-LP20-09 M1

L: RoHS  
Part NO.  
NO. Of XX Pins  
Type: M1 : Male Socket



ANGLE TOLERANCE	PROJECTION	Description:			
±3°		Plastic circular connectors, IP67, Male Socket			
GENERAL TOLERANCE	UNITS	mm	KLS P/N:		
.x ±0.30	SHEET SIZE	A4	L-KLS15-200L-LP20-XXM1		
.xx ±0.20	Draw:	Song	2024-10-25	NingBo KLS ELECTRONIC CO.,L.TD.	
.xxx ±0.10	Check:	Daniel	2024-10-25		

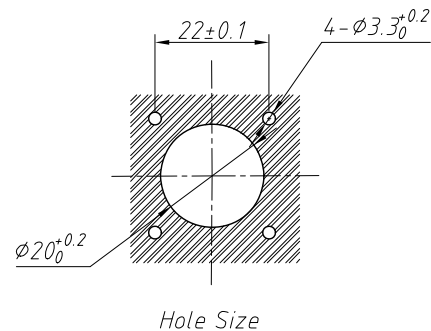
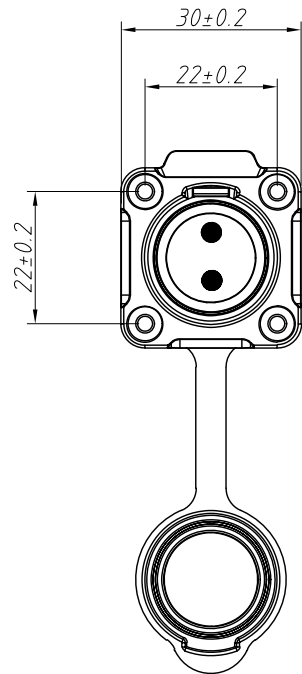
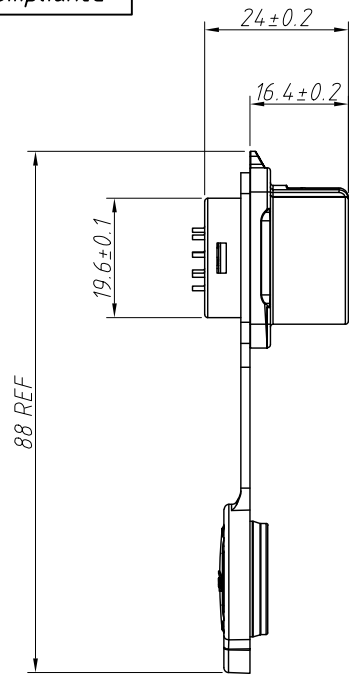
A  
B  
C  
D  
E  
F  
G  
H

A  
B  
C  
D  
E  
F  
G  
H

1    2    3    4    5    6    7    8

1 RoHS Compliance

7		8	
REV	SYM	Revision Record	Appr.
V0	KLS15032	New Version Release	WuHao
			Date
			2024-12-11

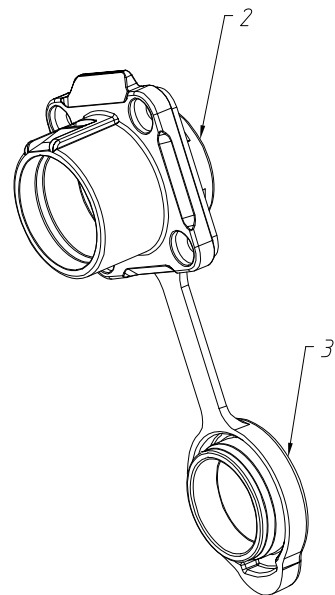
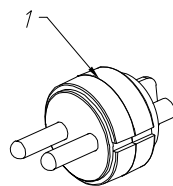


Material:

- 1. Insulated Plastic Core: PA66+30%GF
- 2. Housing Socket: Zinc Alloy
- 3. Waterproof Cover: Silicagel

Electrical:

- Protection: IP67(docking)
- Wiring Method: Weld
- Copper needle category: Male needle



Order Information:

L-KLS15-200L-LP20-02 M2

L: RoHS

Part NO.

NO. Of XX Pins

Type: M2 : Male Socket

Core tables

The NO. of Pins	02 PIN	03 PIN	04 PIN	05 PIN	07 PIN	09 PIN	12 PIN
The PIN map							
Contact Diameter	φ2.7 mm	φ2.7 mm	φ2.7 mm	φ1.8 mm	φ1.8 mm	φ1.0 mm	φ1.0 mm
Rated current	20A	20A	20A	10A	10A	5A	5A
Operating voltage	500V	500V	500V	500V	500V	250V	250V

ANGLE TOLERANCE	PROJECTION	Description:	Metal circular connector, IP67, Male Socket
±3°			
GENERAL TOLERANCE	UNITS	mm	L-KLS15-200L-LP20-XXM2
.x ±0.30	SHEET SIZE	A4	
.xx ±0.20	Draw:	WuHao	2024-12-11
.xxx ±0.10	Check:	Daniel	2024-12-11



NingBo KLS ELECTRONIC CO.,L.TD.