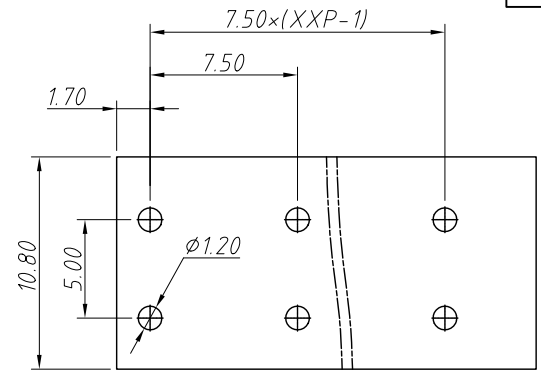
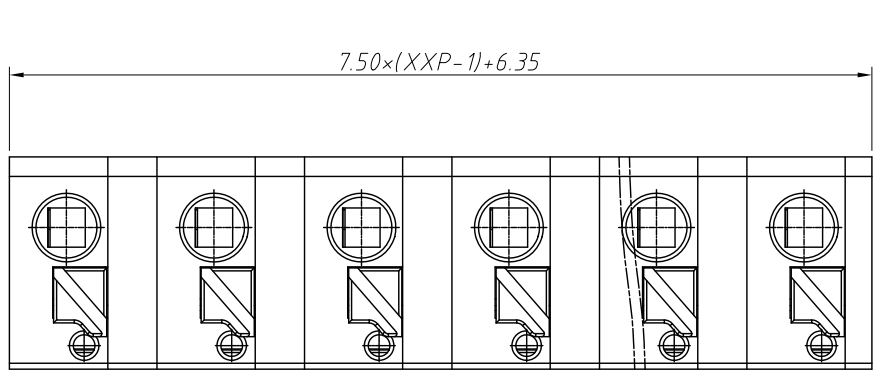


1
RoHS Compliance

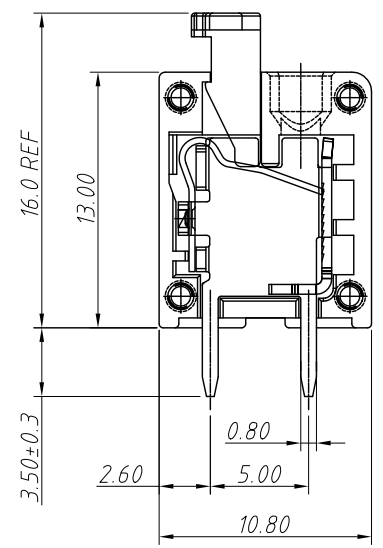
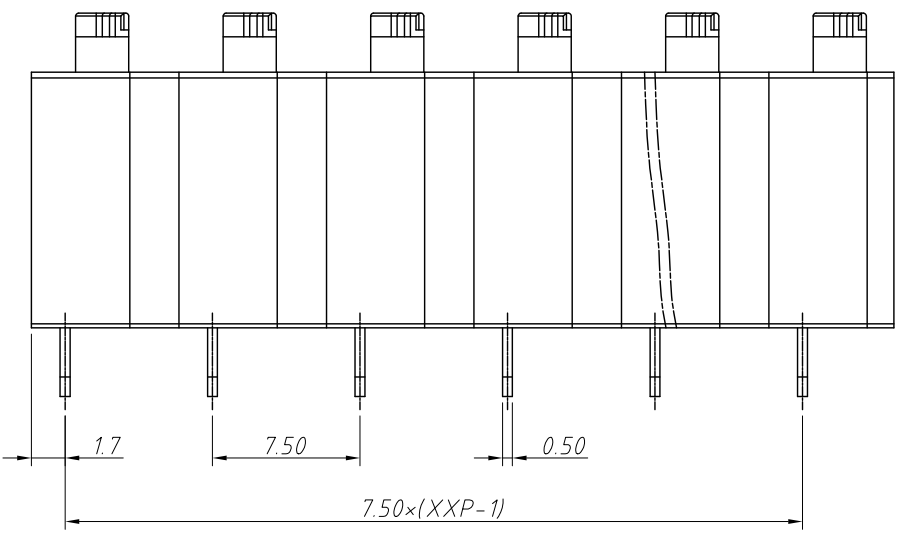
2	3	4	5	6	7	8
REV	SYM	Revision Record		Appr.	Date	
V0	KLS02006	New Version Release		Song	2024-08-28	



Recommended PCB Layout

Electrical Characteristics	UL	IEC
Rated Voltage	300V	250V
Rated Current	10A	10A
Withstand Voltage	AC2000V/1 min	---
Wire Range	20~16AWG	1.0mm ²

Material and other:
Housing: PA66, UL 94V-0
Pin Header: Brass, Tin Plated
Wire Guard: Stainless Steel
Contact Resistance: 20mΩ Max
Insulation Resistance: 500MΩ/DC500V Min
Stripping Length: 9-10mm
Temp. Range: -40°C ~ +105°C



Order Information
L-KLS2-236-7.50-XXP-X

RoHS
Terminal Block
Pitch: 7.50mm
No. of (2~24) Pins
Color: 1=Gray 2=Blue 3=Black
4=Green 5=Orange 6=Red
7=Transp 8=Yellow 9=White

ANGLE TOLERANCE	PROJECTION	Description:				
±3°		7.50mm Spring Terminal Blocks				
GENERAL TOLERANCE	UNITS	mm	KLS P/N:			
0~30	±0.50	SHEET SIZE	L-KLS2-236-7.50-XXP-X			
30~60	±0.75	Draw:	Song	2024-08-28		
60~90	±1.00	Check:	Daniel	2024-08-28	NingBo KLS ELECTRONIC CO.,L TD.	