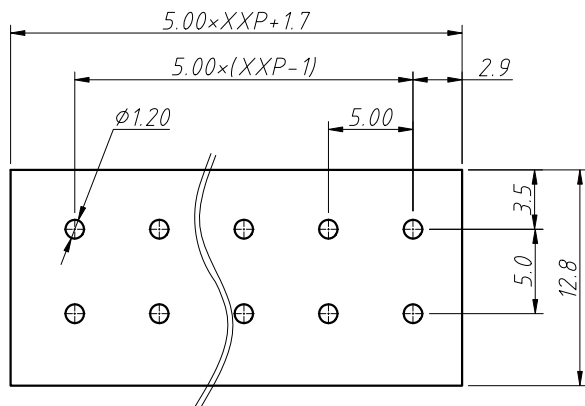
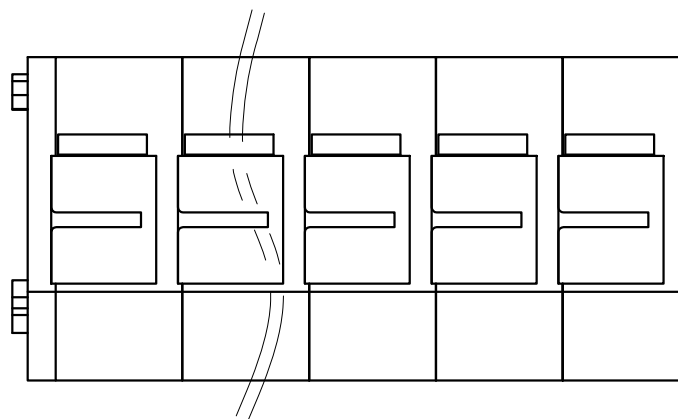


1 RoHS Compliance

REV	SYM	Revision Record	Appr.	Date
V0	KLS02006	New Version Release	Song	2024-08-28



Recommended PCB Layout



Electrical Characteristics	UL	IEC
Rated Voltage	300V	250V
Rated Current	6A	15A
Withstand Voltage	AC2000V/1 min	---
Wire Range	22~18AWG	0.75mm <sup>2</sup>

Material and other:

Housing:PA66, UL94V-0

Pin Header:Brass, Tin Plated

Wire Guard:Stainless Steel

Contact Resistance:20mΩ Max

Insulation Resistance:500MΩ/DC500V Min

Stripping Length:9-10mm

Temp. Range:-40°C ~ +105°C

MAX Soldering:250°C For SS

Order Information

L-KLS2-235R-5.00-XXP-X

RoHS

Terminal Block

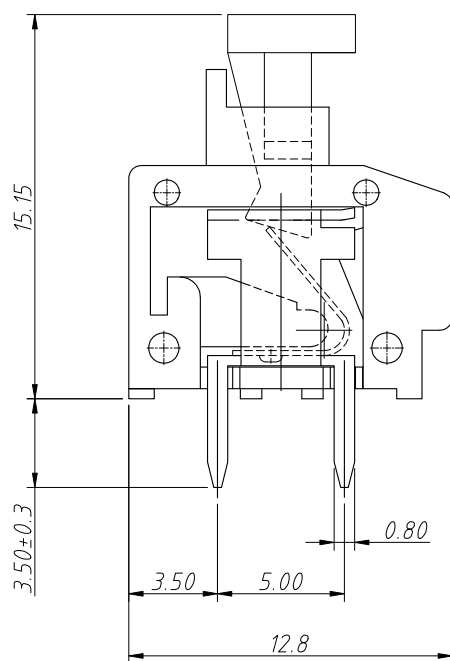
Pitch:5.00mm

No.:Of Pins(1~XXP)

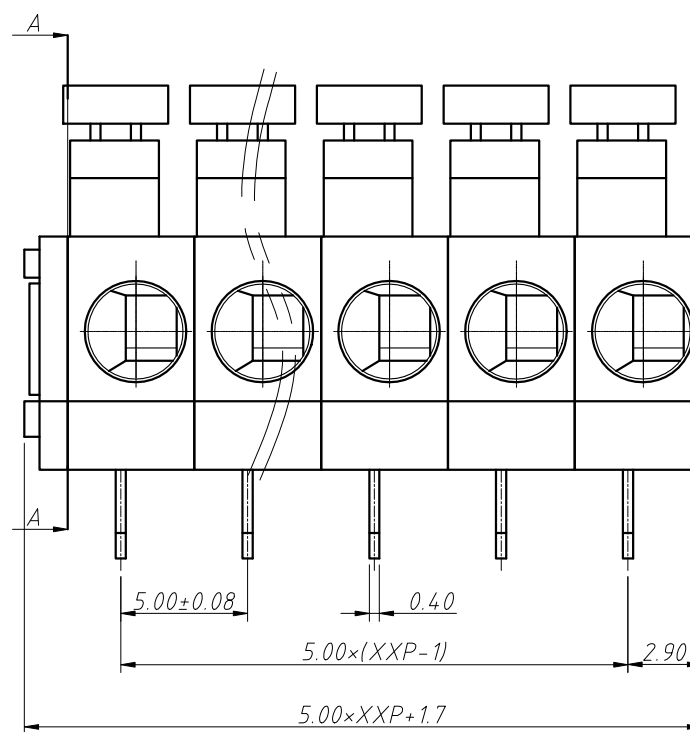
Color:1=Gray 2=Blue 3=Black

4=Green 5=Orange 6=Red

7=Transp 8=Yellow 9=White



SECTION A-A



ANGLE TOLERANCE	PROJECTION	Description:
±3°		5.00mm Spring Terminal Blocks
GENERAL TOLERANCE	UNITS	mm
0~30	±0.50	KLS P/N:
30~60	±0.75	SHEET SIZE
60~90	±1.00	A4
Draw:	Song	2024-08-28
Check:	Daniel	2024-08-28
		NingBo KLS ELECTRONIC CO.,L TD.