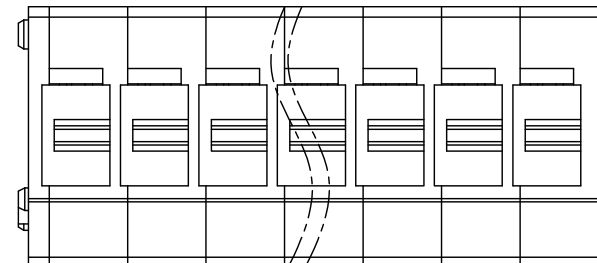
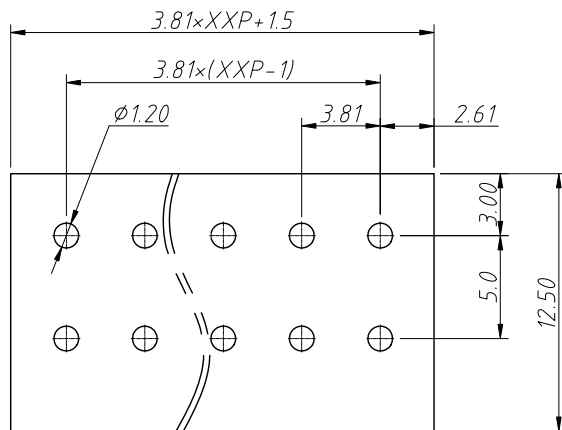


1 RoHS Compliance

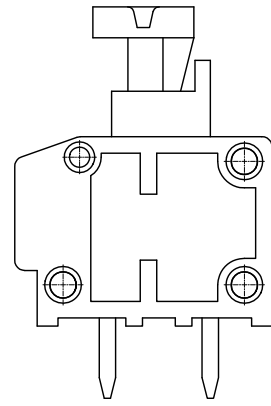
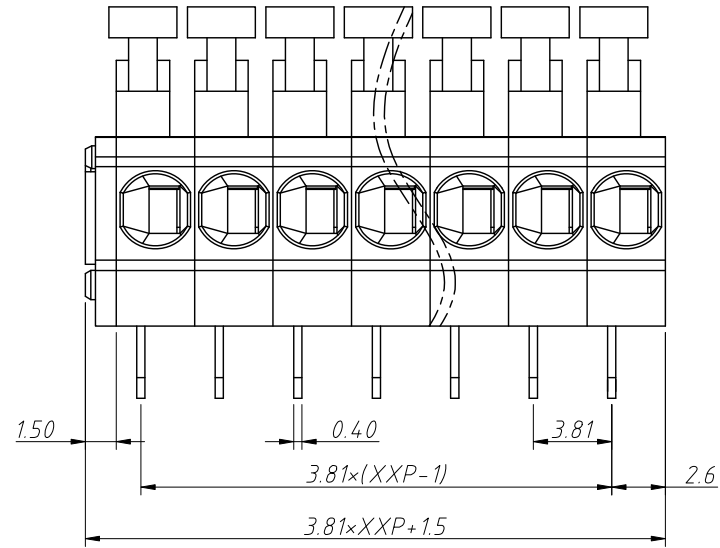
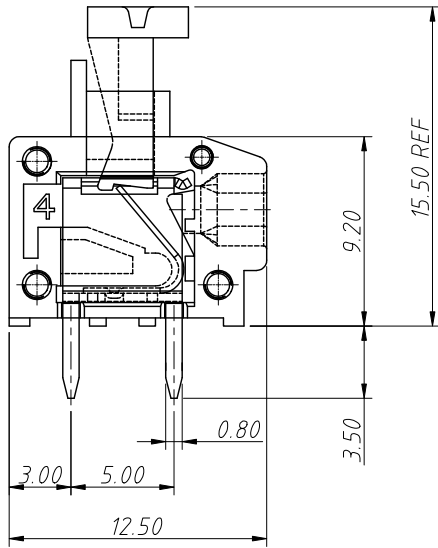
6	7	8
REV	SYM	Revision Record
V0	KLS02006	New Version Release
		Appr. Song
		Date 2024-08-28



Electrical Characteristics	UL	IEC
Rated Voltage	300V	250V
Rated Current	5A	10A
Withstand Voltage	AC2000V/1 min	---
Wire Range	22~18AWG	0.75mm ²

Recommended PCB Layout

Material and other:
 Housing:PA66, UL94V-0
 Pin Header:Brass,Tin Plated
 Wire Guard:Stainless Steel
 Contact Resistance:20mΩ Max
 Insulation Resistance:500MΩ/DC500V Min
 Stripping Length:9-10mm
 Temp. Range:-40°C ~ +105°C
 MAX Soldering:250°C For 5S



Order Information
 L-KLS2-235R-3.81-XXP-X

RoHS
 Terminal Block
 Pitch:3.81mm
 No.:Of Pins(1~XXP)
 Color:1=Gray 2=Blue 3=Black
 4=Green 5=Orange 6=Red
 7=Transp 8=Yellow 9=White

ANGLE TOLERANCE	PROJECTION	Description:
±3°		3.81mm Spring Terminal Blocks
GENERAL TOLERANCE	UNITS	mm
0~30 ±0.50	SHEET SIZE	A4
30~60 ±0.75	Draw:	Song 2024-08-28
60~90 ±1.00	Check:	Daniel 2024-08-28
		KLS NingBo KLS ELECTRONIC CO.,L TD.