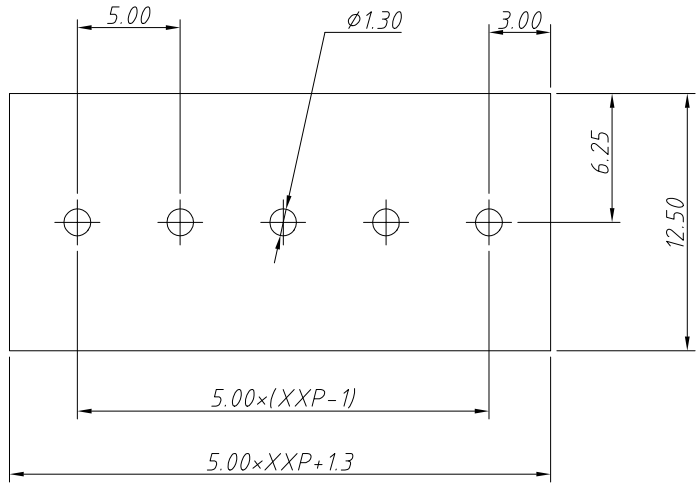
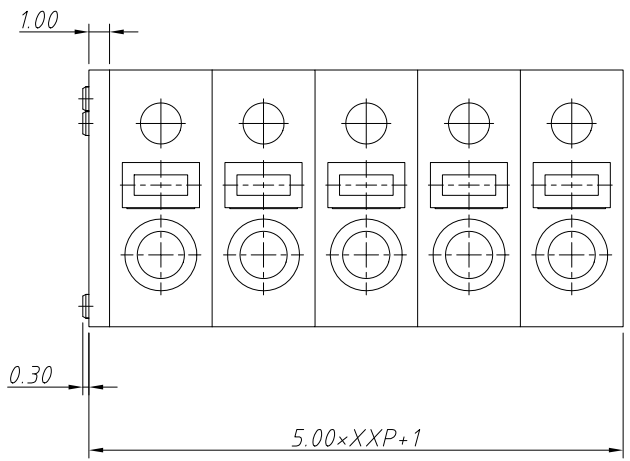


1  
RoHS Compliance

2	3	4	5	6	7	8
REV	SYM	Revision Record		Appr.	Date	
V0	KLS02006	New Version Release		Song	2024-08-22	

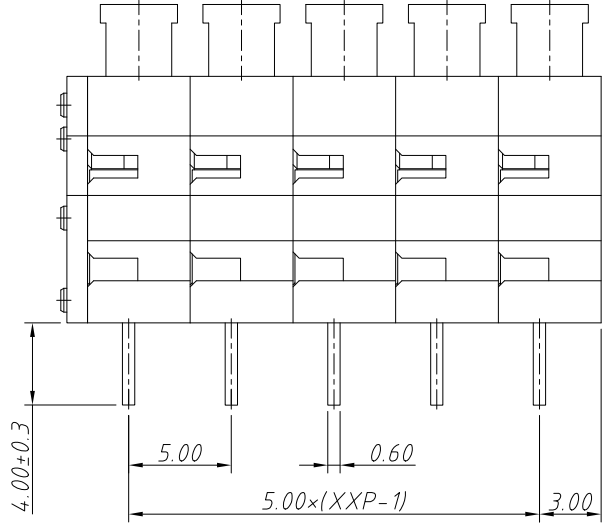
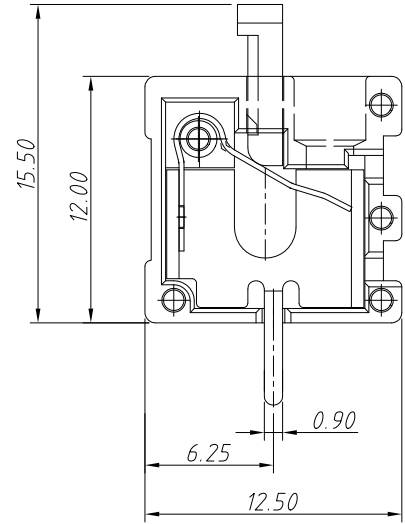


Recommended PCB Layout



Electrical Characteristics	UL	IEC
Rated Voltage	300V	250V
Rated Current	10A	15A
Withstand Voltage	AC2000V/1 min	---
Wire Range	26~14AWG	1.5mm <sup>2</sup>

**Material and other:**  
 Housing:PA66, UL94V-0  
 Pin Header:Brass, Tin Plated  
 Wire Guard:Stainless Steel  
 Stripping Length:11mm  
 Temp. Range:-40°C ~ +105°C  
 MAX Soldering:250°C±5°C for 5S



**Order Information**  
 L-KLS2-211V-5.00-XXP-X

RoHS  
 Terminal Block  
 Pitch:5.00mm  
 No.:Of (1~XX) Pins  
 Color:1=Gray 2=Blue 3=Black  
 4=Green 5=Orange 6=Red  
 7=Transp 8=Yellow 9=White

ANGLE TOLERANCE	PROJECTION	Description:			
±3°		5.00mm Spring Terminal Blocks			
GENERAL TOLERANCE	UNITS	mm	KLS P/N:		
0~30 ±0.50	SHEET SIZE	A4	L-KLS2-211V-5.00-XXP-X		
30~60 ±0.75	Draw:	Song	2024-08-22	NingBo KLS ELECTRONIC CO.,L TD.	
60~90 ±1.00	Check:	Daniel	2024-08-22		