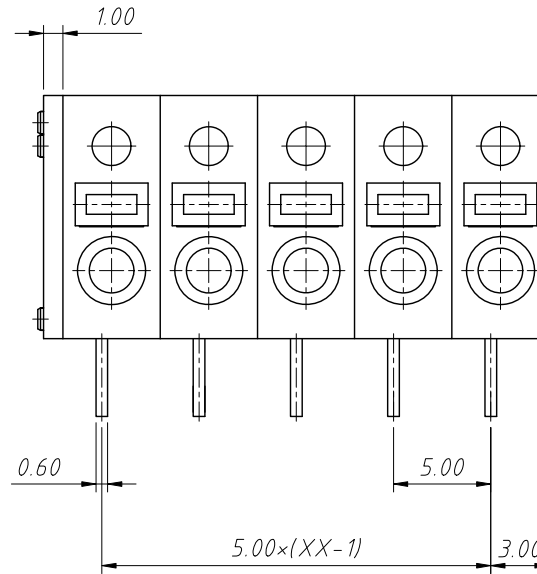


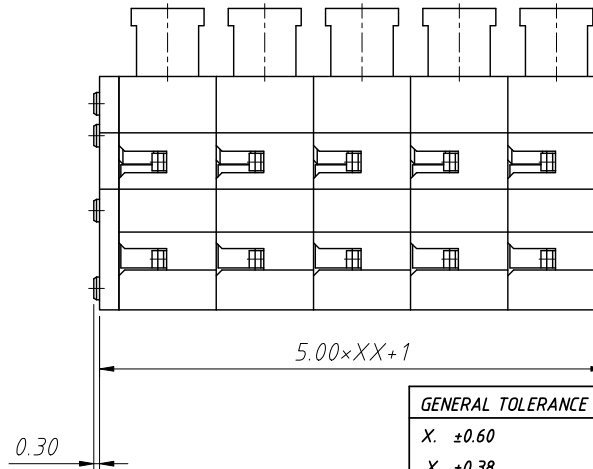
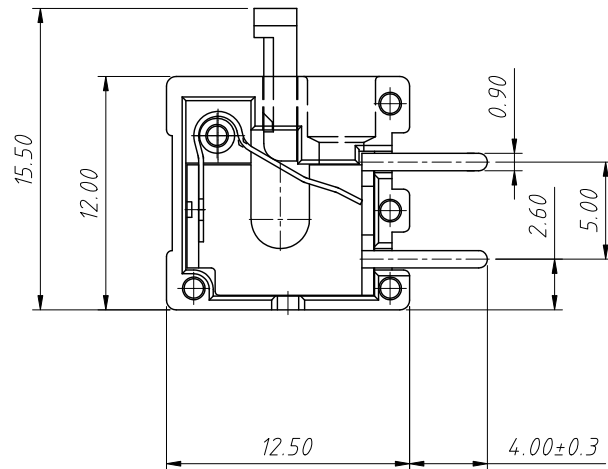
PCB LAYOUT



Material
 Housing: PA66, UL94V-0
 Pin header: Brass, Tin plated
 Wire Guard: Stainless steel

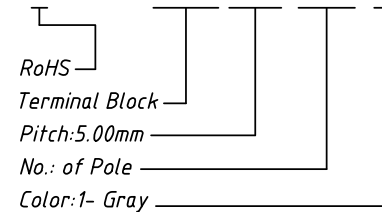
Electrical
 Rated voltage: 300V
 Rated current: 10A
 Contact Resistance: 20 mΩ
 Insulation resistance: 500MΩ/DC500V
 Withstand voltage: AC2000V / 1 min
 Wire range: 26-14AWG 1.5mm²

Mechanical
 Temp. Range: -40°C ~ +105°C
 Stripping Length: 11mm
 Max Soldering: +250°C for 5 Sec



Order Information

L-KLS2-211R-5.00-XXP-1



GENERAL TOLERANCE		ANGLE TOLERANCE		Description:	
X. ±0.60	.X ±0.38	.XX ±0.25		X. ±5°	.X ±3°
				.XX ±2°	
Draw by	2015-09-01	PROJECTION		Pluggable Terminal Block 5.00 MM	
Check by	2015-09-15	UNITS	mm		
SCALE		SHEET SIZE	A4	KLS P/N:	L-KLS2-211R-5.00-XXP-1
					NingBo KLS ELECTRONIC CO.,L TD.